

# KENWOOD kMix

TYPE KMX75

TYPE KMX76

---

Instructions

Istruzioni

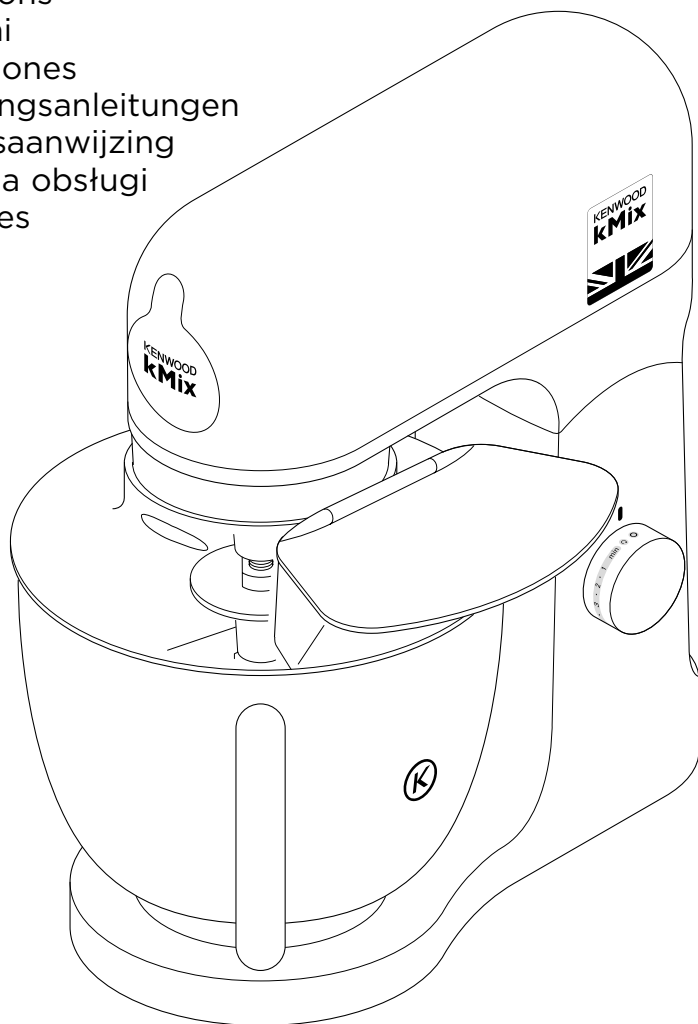
Instrucciones

Bedienungsanleitungen

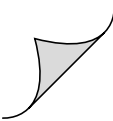
Gebruiksaanwijzing

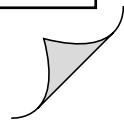
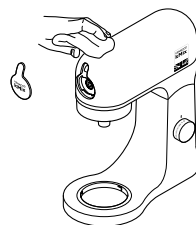
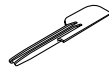
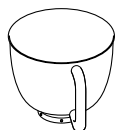
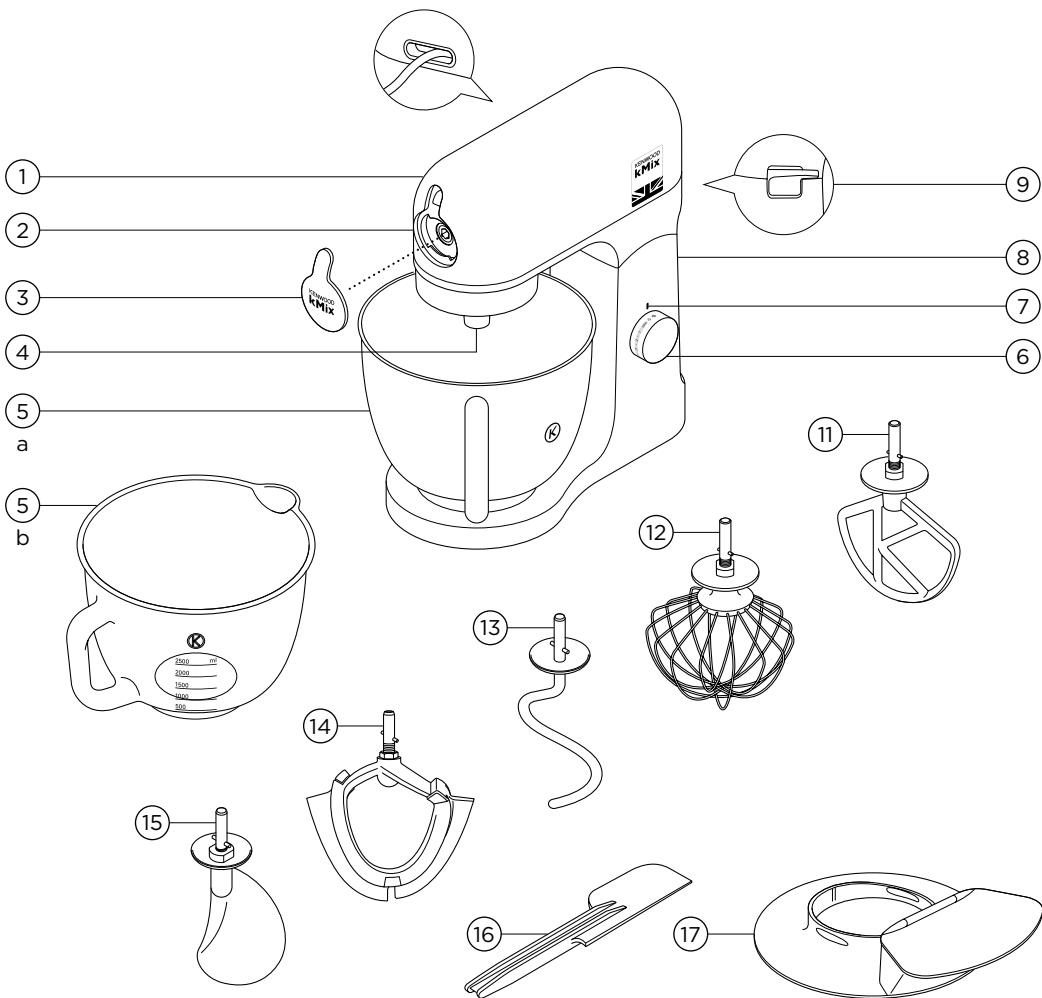
Instrukcja obsługi

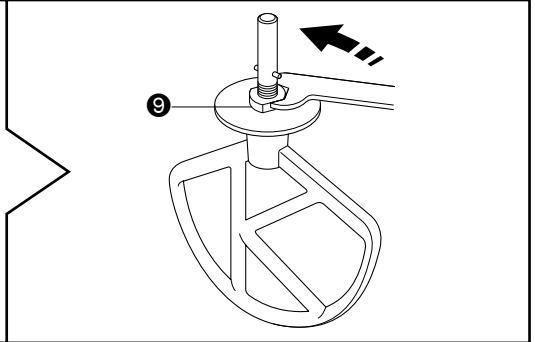
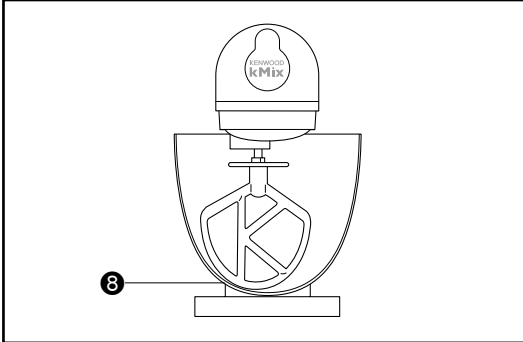
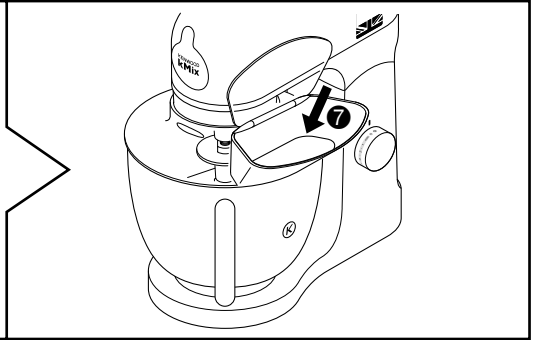
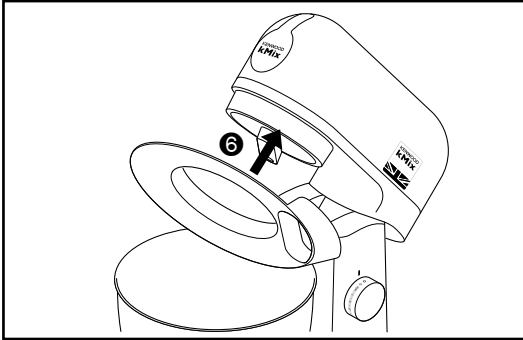
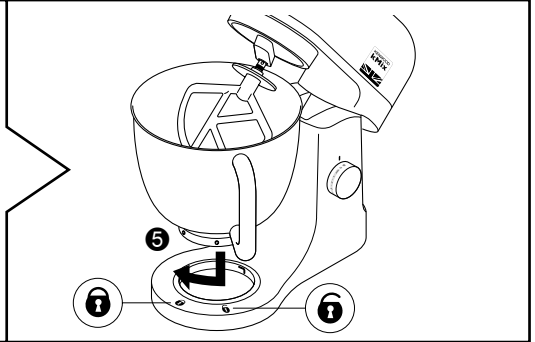
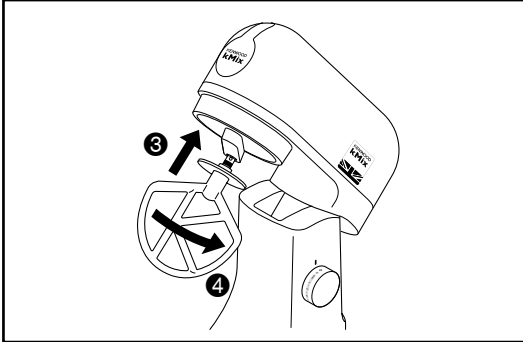
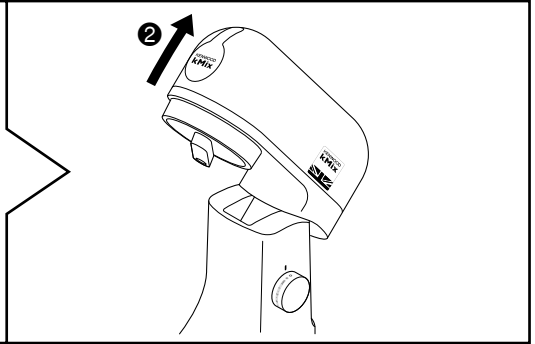
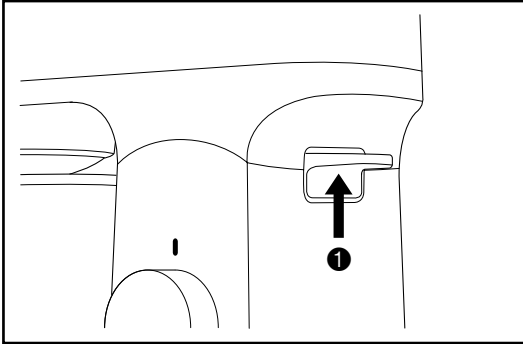
Instruções

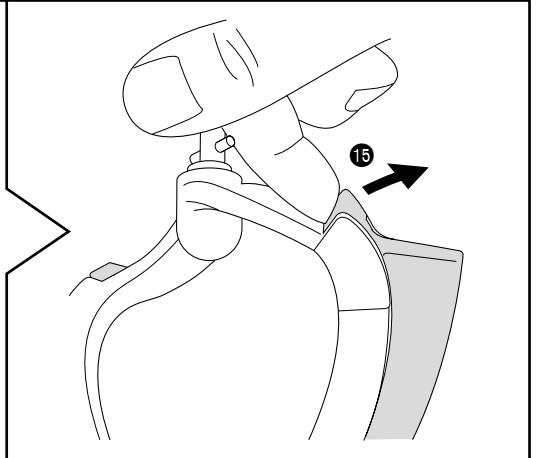
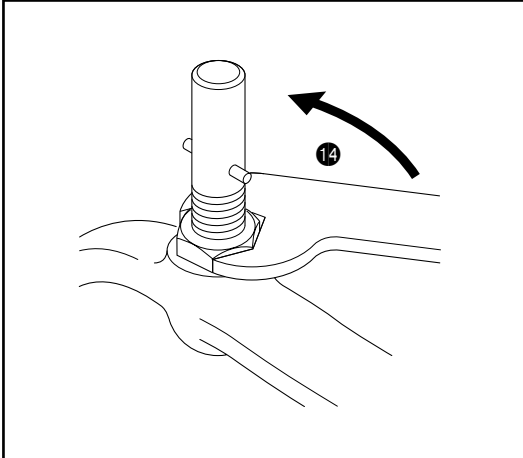
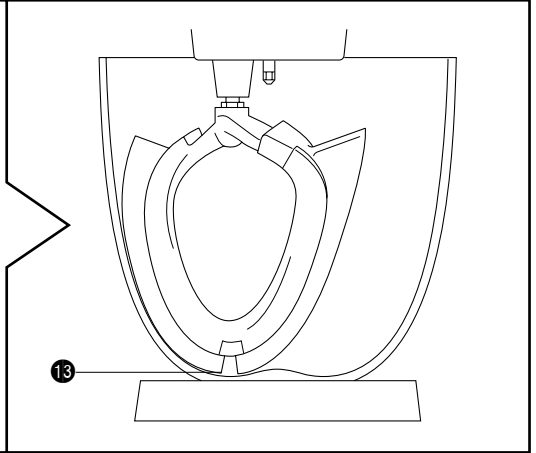
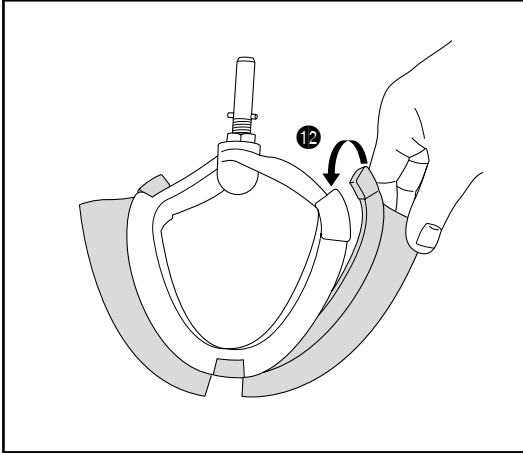
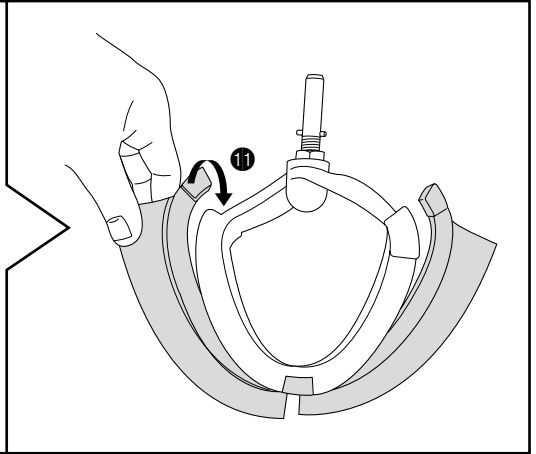
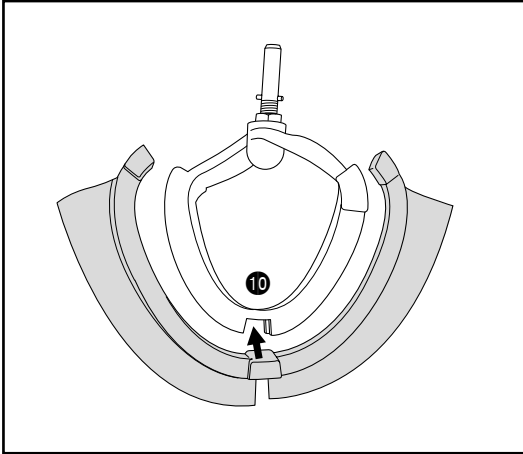


<b>English</b>	<b>2 - 11</b>
<b>Nederlands</b>	<b>12 - 22</b>
<b>Français</b>	<b>23 - 33</b>
<b>Deutsch</b>	<b>34 - 44</b>
<b>Italiano</b>	<b>45 - 55</b>
<b>Português</b>	<b>56 - 66</b>
<b>Español</b>	<b>67 - 77</b>
<b>Dansk</b>	<b>78 - 87</b>
<b>Svenska</b>	<b>88 - 97</b>
<b>Norsk</b>	<b>98 - 107</b>
<b>Suomi</b>	<b>108 - 117</b>
<b>Türkçe</b>	<b>118 - 127</b>
<b>Česky</b>	<b>128 - 138</b>
<b>Magyar</b>	<b>139 - 149</b>
<b>Polski</b>	<b>150 - 162</b>
<b>Ελληνικά</b>	<b>163 - 174</b>
<b>Slovenčina</b>	<b>175 - 185</b>
<b>Українська</b>	<b>186 - 196</b>
<b>عربي</b>	<b>٢٠٦ - ١٩٧</b>









# know your Kenwood kitchen machine

## **safety**

- Read these instructions carefully and retain for future reference.
- Remove all packaging and any labels.
- If the plug or cord is damaged it must, for safety reasons, be replaced by Kenwood or an authorised Kenwood repairer in order to avoid a hazard.
- Switch off and unplug before fitting or removing tools/ attachments, after use and before cleaning.
- Keep your fingers away from moving parts and fitted attachments.
- Never leave the machine on unattended.
- Never use a damaged machine. Get it checked or repaired: see 'service and customer care'.
- Never let the cord hang down where a child could grab it.
- Never let the power unit, cord or plug get wet.
- Never use an unauthorised attachment or both outlets at the same time
- Never exceed the maximum capacities.
- When using an attachment, read the safety instructions that come with it.
- Take care when removing bowl tools after extended use as they may get hot.
- Take care when lifting this appliance as it is heavy. Ensure the head is locked and that the bowl, tools, outlet cover and cord are secure before lifting.
- When moving the appliance always pick up by the pedestal base and mixer head. Do not lift or carry the appliance by the bowl handle.
- Do not move or raise the mixer head with an attachment fitted as the Kitchen Machine could become unstable.
- Do not operate your appliance near the edge of a work surface.

- This appliance shall not be used by children. Keep the appliance and its cord out of reach of children.
- Children should be supervised to ensure that they do not play with the appliance.
- Misuse of your appliance can result in injury.
- Appliances can be used by persons with reduced physical, sensory or mental capabilities or lack of experience and knowledge if they have been given supervision or instruction concerning use of the appliance in a safe way and if they understand the hazards involved.
- Only use the appliance for its intended domestic use. Kenwood will not accept any liability if the appliance is subject to improper use, or failure to comply with these instructions.

### **Glass bowl**

- **Before using ensure that your bowl tools are adjusted to the correct height and not in contact with the bottom of the bowl – refer to “tool adjustment” section.**
- To avoid damage to the glass bowl do not allow the bowl to come in contact with sources of high heat such as an oven or stove top.
- The glass bowl is microwave safe.

### **Special Care Instructions**

Glass is a natural material, during the manufacture of this bowl every care has been taken to ensure a perfect appearance, however some small imperfections may be visible, this is normal and to be expected, the performance of the bowl will not be affected.

#### **before plugging in**

- Make sure your electricity supply is the same as the one shown on the underside of your appliance.
- **WARNING: THIS APPLIANCE MUST BE EARTHED.**

- This appliance conforms to EC Regulation 1935/2004 on materials and articles intended to come into contact with food.

#### **before using for the first time**

- Wash the parts: see ‘care and cleaning’ section.

# the mixer

## Key

- ① mixer head
- ② attachment outlet
- ③ outlet cover
- ④ tool socket
- ⑤ bowl
  - a stainless steel (if supplied)
  - b glass (if supplied)
- ⑥ on/off and speed control
- ⑦ mixer ready indicator light
- ⑧ mixer body
- ⑨ head release lever
- ⑩ cord storage
- ⑪ K-beater
- ⑫ whisk
- ⑬ spiral dough hook
- ⑭ creaming beater (if supplied)
- ⑮ folding tool (if supplied)
- ⑯ spatula
- ⑰ splashguard

## the mixing tools and some of their uses

### K-beater

- For making cakes, biscuits, pastry, icing, fillings, éclairs and mashed potato.

### whisk

- For eggs, cream, batters, fatless sponges, meringues, cheesecakes, mousses, soufflés. Do not use the whisk for heavy mixtures (e.g. creaming fat and sugar) – you could damage it.

### dough hook

- For yeast mixtures.

### folding tool

- The folding tool is designed for folding light ingredients into heavier mixtures for example meringues, mousses, fruit fools, Genoese sponges, soufflés and to fold flour into cakes mixes. It is not to be used with heavy recipes such as dough, creaming fat and sugar or all in one cake mixes.

### creaming beater

- The creaming beater is designed for creaming and mixing soft ingredients. Do not use with heavy recipes such as dough or hard ingredients, for example those containing fruit stones, bones or shells.

### fitting the wiper blade

- The wiper blade is supplied already fitted and should always be removed for cleaning ⑮.
- 1 Carefully fit the flexible wiper blade onto the tool by locating the base of the wiper blade into the slot ⑩ then fit one side into the groove before gently hooking the end in place ⑪. Repeat with the other side ⑫.

## to use your mixer

- 1 Lift the head release lever ⑨ at the back of the kitchen machine ① and at the same time lift the head ① until it locks in the raised position ②.
- 2 Place the required tool into the socket. Then push up ③ and turn ④ the tool to lock into position.
- 3 Fit the bowl onto the base. Place the handle directly over the unlock symbol ⑥, then gently turn the bowl clockwise until the handle is directly above the lock symbol ⑦. DO NOT USE excessive force and DO NOT overtighten ⑤.




# the mixer

- 4 Lift the head release lever ⑨ at the back of the Kitchen Machine and at the same time lower the mixer head ①.
- 5 Plug into the power supply and the 'mixer ready indicator light' will illuminate.
- 6 Switch on by turning the speed control to the desired setting.
- 7 Release the tool by turning clockwise to unlock from the tool socket and then remove.

## important

- If the mixer head is raised during operation, the machine will stop working straight away. To re-start the mixer, lower the mixer head, turn the speed switch to the 'O' position, wait a few seconds and then re-select the speed. The mixer should resume operating straight away.
- Whenever the mixer head is raised the 'mixer ready indicator light' will go out. When the head is lowered, the light will illuminate indicating the mixer is ready to use.

## hints

- The fold function  can be used for folding light ingredients into heavier mixtures for example meringues, mousses, fruit fools, Genoese sponges and soufflés, and to slowly incorporate flour and fruit into cake mixtures. The mixer will operate at a constant slow speed.
- To fully incorporate the ingredients stop mixing and scrape down the bowl with the spatula.
- Eggs at room temperature are best for whisking.
- Before whisking egg whites, make sure there is no grease or egg yolk on the whisk or bowl.
- Use cold ingredients for pastry unless your recipe states otherwise.

- When creaming fat and sugar for cake mixes, always use the fat at room temperature or soften it first.
- Your Kitchen Machine has been fitted with a 'soft start' feature to minimise spillage. However if the machine is switched on with a heavy mixture in the bowl such as bread dough, you may notice that the mixer takes a few seconds to reach the selected speed.

## electronic speed sensor control

Your mixer is fitted with an electronic speed sensor control that is designed to maintain the speed under different load conditions, such as when kneading bread dough or when eggs are added to a cake mix. You may therefore hear some variation in speed during the operation as the mixer adjusts to the load and speed selected - this is normal.

## important points for using your folding tool

- Do not use a high speed as a low speed is required to optimise the folding performance.
- The tool is not designed to be used to mix hot ingredients, allow the ingredients to cool before using the folding tool.
- For best results do not over whisk egg whites or cream – the folding tool will not be able to fold the mixture correctly if the whisked mix is too firm.
- Do not fold the mixture for too long as the air will be knocked out and the mix will be too loose. Stop once the mix is sufficiently incorporated.
- Any unmixed ingredients left on the paddle or sides of the bowl should be carefully folded in using a spatula.

# the mixer

## important points for bread making

- Never exceed the maximum capacities - you will overload the machine.
- If you hear the machine labouring, switch off, remove half the dough and do each half separately.
- The ingredients mix best if you put the liquid in first.

- At intervals stop the machine and scrape the mixture off the dough hook.
- Different batches of flour vary considerably in the quantities of liquid required and the stickiness of the dough can have a marked effect on the load imposed on the machine. You are advised to keep the machine under observation whilst the dough is being mixed.

recommended speed chart and maximum capacities				
These are a guide only and will vary depending upon the quantity of mix in the bowl and the ingredients being mixed.				
tool/ attachment	recipe type	speed	maximum time	maximum capacities
Whisk	Egg whites	Max	3 mins	2-12 (455g)
	Cream		2-3 mins	1 litre/35 fl oz
Beater	All in one cake mixes	Max	2 mins	2kg /4lb 8oz total weight 10 egg mix
	Rubbing fat into flour  Adding water to combine pastry ingredients	Min to Speed 2  Min	2-3 mins  30 secs	680g/1lb 8oz flour
Creaming beater	Fruit Cake			2.72kg/6lb total weight 9 egg mix
	Creaming fat and sugar	Max	1½ – 3½ mins	
	Adding eggs	Max	1-2 mins	
	Folding in flour, fruit, etc.	Min to speed 1	30 secs- 1 min	
Dough hook	Bread dough (stiff yeasted)	Min to speed 1	5 mins	1.35kg/3lb flour weight 2.17kg/4lb 13oz total weight

\*Egg sizes used = medium sized (Weight 53-63g)

# the mixer

recommended quantity chart - folding tool							
Recipe Type	Tool	Ingredients	Min Qty.	Max Qty.	Recommended Speed	Approx. Time (for folding stated)	Hints and Tips
Genoise Sponge/ Whisked Sponge	Whisk	Eggs	3	9	Max	4 – 5 mins	Whisk the eggs and sugar until they are thick, pale and creamy.
	Folding Tool	Flour	85g	250g	Fold function	2 – 8 mins	When adding the flour, place it onto a sheet of grease proof paper, fold the side in to form a spout. Gradually add the flour into the mix using fold function. This operation can take up to 8 minutes, so be patient and wait until the last addition of flour has been incorporated into the mix before adding more.
		Total mix	350g	1kg			
Soufflés	Whisk	Eggs	2	6	Max	1 min	Whisk in a quarter of the whisked egg whites on speed 3 before folding in the remaining egg whites.
	Folding Tool	Total mix	300g	900g	Fold function	1 min	
Fruit Fools	Whisk	Cream	125ml	600ml	Max	1 – 2 mins Max	
	Folding Tool	Fruit Puree	80g	400g	Fold function	1 – 2 mins	
Chocolate Mousse	Whisk	Total mix	600g	1.5kg	Max	2½ mins	Add the melted chocolate into the mix and fold all at one time. Fold in the egg whites a bit at a time.
	Folding Tool				Fold function		
Macaroons	Whisk	Total mix	400g	900g	Max	1 min	
	Folding Tool				Fold function		

\* The above information is for guidance only and will vary depending on the exact recipe and ingredients being processed.

Egg sizes used in chart = medium (53g – 63g).

# to fit and use your splashguard

- 1 Raise the mixer head until it locks.
  - 2 Fit the bowl onto the base.
  - 3 Push the splashguard onto the underside of the mixer head **6** until fully located. The hinged section should be positioned as shown.
  - 4 Insert required tool.
  - 5 Lower the mixer head.
- During mixing, ingredients can be added directly to the bowl via the hinged section of the splashguard **7**.
  - You do not need to remove the splashguard to change tools.
- 6 Remove the splashguard by raising the mixer head and sliding it down.

## tool adjustment

### **K-beater, Whisk, Creaming beater and folding tool**

The tools are set to the correct height for the bowl supplied in the factory and should not require adjustment.

However, if you wish to adjust the tool use a suitable 15mm spanner:

Then follow the instructions below:

- 1 Unplug the machine.
- 2 Raise the mixer head and insert the whisk or beater.
- 3 Lower the mixer head. If the clearance needs to be adjusted, raise the mixer head and remove the tool. Ideally the whisk, K-beater and folding tool should be **almost** touching the bottom of the bowl **8**.

#### **creaming beater**

- Ideally it should be in contact with the bowl surface so that it gently wipes the bowl during mixing **13**.
- 4 Using a suitable spanner loosen the nut sufficiently to allow adjustment of the shaft **9** or **14**. To lower the tool closer to the bottom of the bowl, turn the shaft anti-clockwise. To raise the tool away from the bottom of the bowl turn the shaft clockwise.

- 5 Re-tighten the nut.
  - 6 Fit the tool to the mixer and lower the mixer head.  
(Check its position see points above).
  - 7 Repeat the above steps as necessary until the tool is set correctly. Once this is achieved tighten the nut securely.
- **Note: Spanner shown is for illustration purpose only.**

#### **Dough Hook**

This tool is set at the factory and should require no adjustment.

# troubleshooting guide

<b>Problem</b>	<b>Cause</b>	<b>Solution</b>
The whisk or K-beater knocks against the bottom of the bowl or not reaching the ingredients in the bottom of the bowl.	Tool at the wrong height and needs adjusting.	Adjust the height using a suitable spanner – see “Tool Adjustment” section.
‘Mixer ready indicator light’ flashing when Kitchen Machine first plugged in.	Speed control not in the ‘O’ position.	Check and turn speed control to the ‘O’ position.
The Kitchen Machine stops during operation. ‘Mixer ready indicator light’ flashing rapidly.	Overload protection or overheat system activated. Maximum capacity exceeded.	Unplug and check for obstruction or overloading. Turn the speed control to “O” and then restart. If the machine will not operate, remove some of the ingredients to reduce the load and restart. If this still does not resolve the problem, unplug and allow to stand for 15 minutes. Plug in and reselect the speed. If the machine does not restart following the above procedure contact “customer care” for further advice.
‘Mixer ready indicator light’ flashing slowly whilst machine plugged in.	Kitchen Machine has been left plugged in for more than 30 minutes without being operated and has gone into Standby mode.	Turn the speed control to ‘min’ then return to ‘O’ to reset the machine.

# cleaning and service

## care and cleaning

- Always switch off and unplug before cleaning.

### power unit and outlet cover

- Wipe with a damp cloth, then dry.
- Never use abrasives or immerse in water.
- Store excess cord into the cord storage compartment ⑩ at the back of the machine.

### stainless steel bowl

- Wash by hand, then dry thoroughly or wash in the dishwasher.
- Never use a wire brush, steel wool or bleach to clean your stainless steel bowl. Use vinegar to remove limescale.
- Keep away from heat (cooker tops, ovens, microwaves).

### tools and splashguard

- Wash by hand, then dry thoroughly or wash in the dishwasher.

### creaming beater

- Always remove the flexible wiper blade from the tool before cleaning ⑮.
- Wash the flexible wiper blade and tool in hot soapy water, then dry thoroughly. Alternatively the parts can be washed in a dishwasher.

Note: Please inspect the condition of the tool body before and after use and also regularly inspect the condition of the wiper blade and replace it if there are any signs of wear.

### glass bowl

- Wash the bowl in hot soapy water, then dry thoroughly.
- Alternatively the bowl is dishwasher safe.
- Note: The collar on the base of the bowl is removable and can be washed in the same way. To remove the collar, upturn the empty bowl and unscrew the collar in an anti-clockwise direction.

## service and customer care

- If you experience any problems with the operation of your appliance, before requesting assistance refer to the “troubleshooting guide” section in the manual or visit [www.kenwoodworld.com](http://www.kenwoodworld.com).
- Please note that your product is covered by a warranty, which complies with all legal provisions concerning any existing warranty and consumer rights in the country where the product was purchased.
- If your Kenwood product malfunctions or you find any defects, please send it or bring it to an authorised KENWOOD Service Centre. To find up to date details of your nearest authorised KENWOOD Service centre visit [www.kenwoodworld.com](http://www.kenwoodworld.com) or the website specific to your Country.
- Designed and engineered by Kenwood in the UK.
- Made in China.



### **IMPORTANT INFORMATION FOR CORRECT DISPOSAL OF THE PRODUCT IN ACCORDANCE WITH THE EUROPEAN DIRECTIVE ON WASTE ELECTRICAL AND ELECTRONIC EQUIPMENT (WEEE)**

At the end of its working life, the product must not be disposed of as urban waste. It must be taken to a special local authority differentiated waste collection centre or to a dealer providing this service. Disposing of a household appliance separately avoids possible negative consequences for the environment and health deriving from inappropriate disposal and enables the constituent materials to be recovered to obtain significant savings in energy and resources. As a reminder of the need to dispose of household appliances separately, the product is marked with a crossed-out wheeled dustbin.

# kennismaking met de Kenwood keukenmachine

## veiligheid

- Lees deze instructies zorgvuldig door en bewaar ze voor toekomstig gebruik.
- Verwijder de verpakking en alle labels.
- Als de stekker of het snoer beschadigd is, moet het om veiligheidsredenen door Kenwood of een door Kenwood geautoriseerd reparatiebedrijf vervangen worden, om gevaar te voorkomen.
- Schakel het apparaat uit en haal de stekker uit het stopcontact voordat u instrumenten/hulpstukken aanbrengt of verwijdert, na ieder gebruik en alvorens het apparaat te reinigen.
- Houd uw vingers uit de buurt van bewegende onderdelen en vaste accessoires.
- Laat de keukenmachine nooit onbeheerd aan staan.
- Gebruik de machine niet als hij beschadigd is. Laat hem nakijken of repareren: zie paragraaf 'onderhoud en klantenservice'.
- Laat het snoer nooit naar beneden hangen waar een kind erbij kan.
- De motor, het snoer of de stekker nooit nat laten worden.
- Gebruik nooit een ongeautoriseerd hulpstuk of meer dan één aansluitpunt tegelijkertijd.
- Overschrijd nooit de maximumcapaciteit.
- Lees eerst de veiligheidsvoorschriften bij de accessoires, voordat u ze gebruikt.
- Wees voorzichtig bij het verwijderen van de komhulpstukken na langdurig gebruik, omdat ze heet kunnen zijn.
- Wees voorzichtig wanneer u dit apparaat optilt, omdat het zwaar is. Zorg dat de kop vergrendeld is en dat de kom, hulpstukken, afdekking van het aansluitpunt en het snoer vastzitten voor u het apparaat optilt.
- Bij het verplaatsen van het apparaat altijd oppakken bij de voet en de mengkop. Het apparaat NIET optillen of dragen aan de komgreep.



- Verplaats de machine niet en haal de mixerkop niet omhoog als een hulpstuk aangebracht is, omdat de keukenmachine dan instabiel kan worden.
- Gebruik de machine niet aan de rand van het werkoppervlak.
- Dit apparaat mag niet door kinderen worden gebruikt. Houd het apparaat en het snoer buiten het bereik van kinderen.
- Op kinderen moet toezicht gehouden worden om er zeker van te zijn dat ze niet met het apparaat spelen.
- Misbruik van dit apparaat kan persoonlijk letsel veroorzaken.
- Dit apparaat kan worden gebruikt door personen met verminderde lichamelijke, sensorische of geestelijke capaciteiten of gebrek aan ervaring en kennis mits ze onder toezicht staan of instructie hebben gekregen over het veilige gebruik van het apparaat, en de betrokken risico's begrijpen.
- Gebruik het apparaat alleen voor het huishoudelijke gebruik waarvoor het is bedoeld. Kenwood kan niet aansprakelijk worden gesteld in als het apparaat is misbruikt of als deze instructies niet zijn opgevolgd.

### **Glazen kom**

- **Voorafgaand aan het gebruik, zorgt u ervoor dat de komhulpstukken goed afgesteld zijn en de bodem van de kom niet raken – raadpleeg de informatie onder 'hulpstukken afstellen'.**
- Om beschadiging van de glazen kom te voorkomen, mag u de kom niet in contact laten komen met sterke hittebronnen, zoals een oven of een fornuis.
- De glazen kom kan in de magnetron worden gebruikt.

### **Bijkomende informatie**

Glas is gemaakt van natuurlijke materialen. Er is alles aan gedaan om de kom zo perfect mogelijk af te werken. Er kunnen echter enkele kleine onvolkomenheden zichtbaar zijn. Dit is normaal en te verwachten; de prestaties van de kom worden hierdoor niet beïnvloed.

## voordat u de stekker in het stopcontact steekt

- Controleer of de elektriciteitsvoorziening dezelfde spanning heeft als op de onderkant van het apparaat wordt aangegeven.
- **WAARSCHUWING: DIT APPARAAT MOET GEAARD ZIJN.**

## de mixer

### legenda

- ① mixerkop
- ② aansluitpunt voor hulpstuk
- ③ afdekking van aansluitpunt
- ④ fitting voor hulpstukken
- ⑤ kom
  - a roestvrijstaal (indien meegeleverd)
  - b glas (indien meegeleverd)
- ⑥ aan/uit en snelheidsregeling
- ⑦ indicatielampje mixer klaar voor gebruik
- ⑧ hoofddeel mixer
- ⑨ kopontgrendeling
- ⑩ snoeropslag
- ⑪ K-klopper
- ⑫ garde
- ⑬ ronde deeghaak
- ⑭ klopper (indien meegeleverd)
- ⑮ scheplepel (indien meegeleverd)
- ⑯ spatel
- ⑰ spatscherm

## de menghulpstukken en hoe ze gebruikt kunnen worden

### K klopper

- Voor het bereiden van taarten, koekjes, gebakjes, suikerglazuur, vullingen, éclairs en aardappelpuree.

- Dit apparaat voldoet aan EG Verordening 1935/2004 inzake materialen en voorwerpen die bestemd zijn om met levensmiddelen in contact te komen.

## voordat u de machine voor het eerst gebruikt

- Lees het deel 'verzorging en reiniging', voordat u de onderdelen gaat schoonmaken.

### garde

- Voor eieren, room, beslag, vetloos eiergebak, meringue, kaastaart, mousse, soufflé. Gebruik de garde niet voor zware mengsels (bijv. boter en suiker vermengen), omdat de garde daardoor beschadigd kan raken.

### deeghaak

- Alleen voor gistmengsels.

### scheplepel

- De scheplepel is bedoeld om lichte ingrediënten door zwaardere mengsels te scheppen, zoals bij meringues, mousse, dessert met vruchten, Genuese taarten en soufflés. Ook ideaal om bloem door taartmixen te scheppen. Het hulpstuk mag niet worden gebruikt met zware recepten zoals de bereiding van deeg, het kloppen van boter en suiker of bij kant-en-klaar-mixen.

### klopper

- De klopper is ontworpen voor het opkloppen en vermengen van zachte ingrediënten. Gebruik het hulpstuk niet voor deeg of harde ingrediënten, zoals ingrediënten met pitten, botten of voor schaaldieren.

# de mixer

## De wisser bevestigen

- De wisser is al bevestigd en moet altijd voor de reiniging worden verwijderd 15.
- 1 Bevestig de flexibele wisser voorzichtig aan het hulpstuk door de onderkant van de wisser in de gleuf 10 te duwen. Bevestig één zijde in de gleuf, voordat u het uiteinde voorzichtig vasthaakt 11. Herhaal dit aan de andere kant 12.

## de mixer gebruiken

- 1 Duw de kopontgrendeling 9 aan de achterkant van de keukenmachine 1 omhoog en til tegelijkertijd de mixerkop 1 omhoog, totdat hij in de geopende stand 2 vastklikt.
- 2 Steek het gewenste hulpstuk in het contact. Duw het hulpstuk omhoog 3 en draai eraan 4 om hem op zijn plaats vast te zetten.
- 3 Zet de kom op de basis. Zet het handvat recht boven het symbool Ontgrendeld 6, draai de kom vervolgens voorzichtig naar rechts tot het handvat zich recht boven het symbool Vergrendeld 6 bevindt. Gebruik NIET te veel kracht en draai de kom NIET te vast 5.
- 4 Duw de kopontgrendeling 9 aan de achterkant van de keukenmachine omhoog en laat tegelijkertijd de mixerkop 1 zakken.
- 5 Steek de stekker in het stopcontact. Het lichtje 'mixer klaar' gaat branden.
- 6 Zet de machine aan door de snelheidsregeling op de gewenste stand te zetten.
- 7 Draai het hulpstuk naar rechts uit het contact en verwijder het.

## belangrijk

- Als de mixerkop tijdens de werking omhoog wordt gehaald, stopt de machine onmiddellijk. Als u de mixer weer wilt starten, zet u de mixerkop weer omlaag, de snelheidsregeling op 'O', wacht u enkele seconden en draait u de regeling weer op de gewenste snelheid. De mixer start onmiddellijk.
- Telkens wanneer de mixerkop omhoog wordt gehaald, gaat het lichtje 'mixer klaar' uit. Zodra de kop omlaag wordt gezet, gaat het lichtje aan, wat betekent dat de mixer gebruiksklaar is.

## tips

- Het vouwhulpstuk Q kan worden gebruikt om lichte ingrediënten in zwaardere mengsels te vouwen, zoals voor meringue, mousse, vruchtenmousse, Genuese taarten en soufflés en om bloem en fruit langzaam in taartmixen op te nemen. De mixer werkt op een constante langzame snelheid.
- Om te verzekeren dat u alle ingrediënten mengt, stopt u de machine en schraapt u de kom met de spatel af.
- Het beste is om eieren eerst op kamertemperatuur te brengen, voordat u ze gaat kloppen.
- Zorg dat er geen boter of eigeel op de garde of in de kom aanwezig is, voordat u eiwit gaat opkloppen.
- Gebruik koude ingrediënten als u deeg gaat maken, tenzij het recept iets anders voorschrijft.
- Wanneer u boter en suiker voor een taart vermengt, zorg altijd dat de boter op kamertemperatuur is gebracht of dat u de boter eerst zacht laat worden.
- Uw keukenmachine is uitgerust met een 'langzame start' functie om spatten te

# de mixer

minimaliseren. Als de machine echter aangezet wordt terwijl er een zwaar mengsel in de kom zit, zoals brooddeeg, kan het even duren voordat de mixer de geselecteerde snelheid bereikt.

## **elektronische snelheidssensorregeling**

De mixer is uitgerust met een elektronische snelheidsregeling die speciaal werd ontworpen om een constante snelheid bij verschillende belastingen te handhaven, zoals bij het kneden van brooddeeg of wanneer eieren aan een cakemix worden toegevoegd. Daarom is het mogelijk dat u tijdens de werking snelheidsvariaties hoort, aangezien de mixer de snelheid automatisch aan de belasting en aan de gekozen snelheid aanpast – dit is normaal.

## **belangrijke informatie over het gebruik van de scheplepel**

- Gebruik geen hoge snelheid, omdat een lage snelheid nodig is om de werking van de scheplepel te optimaliseren.
- Het hulpstuk is niet bedoeld om hete ingrediënten te mengen; laat de ingrediënten afkoelen voordat u de scheplepel gebruikt.
- Voor het beste resultaat klopt u het eiwit of de room niet te lang – de scheplepel kan het mengsel niet goed omscheppen als het te stevig is.
- Schep het mengsel niet te lang om, aangezien de lucht dan uit het mengsel wordt geslagen en het mengsel te slap wordt. Stop zodra het mengsel voldoende gemengd is.

- Ongemengde ingrediënten op het hulpstuk of tegen de zijkant van de kom moeten zorgvuldig met een spatel aan het mengsel worden toegevoegd.

## **belangrijke tips voor het bereiden van brood**

- Overschrijd nooit de maximumcapaciteit, anders raakt de machine overbelast.
- Als u hoort dat de machine te hard moet werken, schakelt u hem uit, verwijdert de helft van het deeg en verwerkt iedere helft afzonderlijk.
- De ingrediënten zullen het beste mengen als u eerst de vloeistof in de kom giet.
- Stop de machine af en toe om het deeg van de deeghaak af te schrapen.
- Er bestaat een groot verschil tussen verschillende soorten bloem en de hoeveelheid vloeistof die toegevoegd moet worden. De kleverigheid van het deeg heeft een groot effect op de belasting van de machine. Aangeraden wordt de machine goed in de gaten te houden wanneer het deeg wordt gekneed.

## de mixer

tabel met aanbevolen snelheden en maximumcapaciteit				
Deze informatie dient alleen als richtlijn. Het resultaat hangt af van de hoeveelheid mengsel in de kom en de ingrediënten die worden gemengd.				
instrument/ hulpstuk	soort recept	snelheid	maximum- tijd	maximum- capaciteit
Garde	Eiwit	Max.	3 min.	2 - 12 (455 g)
	Room		2-3 min.	1 liter
K-klopper	All-in-one cakemix	Max.	2 min.	2 kg totaalgewicht 10 eieren
	De boter en de bloem mengen  Water toevoegen om gebakingsrediënten te mengen	Min. naar snelheid 2  Min.	2-3 min.  30 sec.	680 g bloem
Klopper	Vruchtentaart			2,72 kg totaalgewicht 9 eieren
	Vet en suiker opkloppen	Max.	1½-3½ min.	
	Eieren toevoegen	Max.	1-2 min.	
	Bloem, fruit, enz. in het mengsel vouwen	Min. naar snelheid 1	30 sec.-1 min.	
Deeghaak	Brooddeeg (stijf gegist)	Min. naar snelheid 1	5 min.	1,35 kg bloemgewicht 2,17 kg totaalgewicht

\*Gebruikte eieren = medium (gewicht 53 tot 63 g)

# de mixer

tabel met aanbevolen hoeveelheden – scheplepel							
Recepttype	Hulpstuk	Ingrediënten	Min. hoeve.	Max. hoeve.	Aanbevolen snelheid	Tijd bij benadering (voor het omscheppen)	Hints en tips
Genuese taart / lichte taart	Garde	Eieren	3	9	Max.	4 – 5 minuten	Klop de eieren en suiker tot ze en romig zijn.
	Scheplepel	Meel Totale mix	85 g 350 g	250 g 1 kg	Omscheppen	2 – 8 minuten	Wanneer u de bloem toevoegt, legt u de bloem op een vel vetvrij papier en vouw het papier rondom de bloem, zodat een tuit ontstaat. Voeg de bloem geleidelijk al scheppend aan het mengsel toe. Dit kan 8 minuten duren; wees dus geduldig en wacht tot de laatste bloem door het mengsel is opgenomen voordat u meer bloem toevoegt.
Soufflés	Garde	Eieren	2	6	Max	1 minuut	Vermeng een kwart van het geklopte eiwit op snelheid 3 voordat u de rest van het eiwit door het mengsel schept.
	Scheplepel	Totale mix	300 g	900 g	Omscheppen	1 minuut	
Vruchtenmousse	Garde	Room	125 ml	600 ml	Max.	1 – 2 minuten max	
	Scheplepel	Vruchtenpuree	80 g	400 g	Omscheppen	1 – 2 minuten	
Chocolademousse	Garde	Totale mix	600 g	1,5 kg	Max.	2½ minuten	Voeg de gesmolten chocolade aan het mengsel toe en schep alles om. Voeg telkens, al scheppend, een beetje eiwit het mengsel toe.
	Scheplepel				Omscheppen		
Bitterkoekjes	Garde	Totale mix	400 g	900 g	Max.	1 minuut	
	Scheplepel				Omscheppen		

\* Bovenstaande informatie dient uitsluitend als richtlijn en is afhankelijk van het precieze recept en de ingrediënten die worden verwerkt.

De eieren die in de tabel worden gebruikt zijn medium (53 g – 63 g)

# aanbrengen en gebruik van het spatscherm

- 1 Breng de mixerkop omhoog totdat deze wordt vergrendeld.
  - 2 Plaats de kom op het onderstel.
  - 3 Monteer het spatscherm onderaan de mixerkop **6**, tot hij goed vast zit. Het scharnier bevindt zich zoals op de afbeelding staat aangegeven.
  - 4 Monteer het gewenste hulpstuk.
  - 5 Laat de mixerkop zakken.
- Tijdens het mixen kunt u ingrediënten rechtstreeks aan de kom toevoegen via het scharnierende deel van het spatscherm **7**.
  - U hoeft het spatscherm niet te verwijderen om van hulpstuk te wisselen.
- 6 Verwijder het spatscherm door de mixerkop omhoog te halen en het scherm ervanaf te trekken.

## hulpstukken afstellen

### K-klopper, garde, klopper en scheplepel

De hulpstukken zijn ingesteld op de juiste hoogte voor de kom die door de fabriek wordt geleverd en hoeven gewoonlijk niet afgesteld te worden. Als u het hulpstuk echter toch wilt afstellen, hebt u een geschikte sleutel van 15 mm nodig:

Volg onderstaande aanwijzingen:

- 1 Haal de stekker uit het stopcontact.
  - 2 Haal de mixerkop omhoog en steek de garde of klopper erin.
  - 3 Laat de zakken. Als de tussenaafstand veranderd moet worden, haalt u de mixerkop omhoog en verwijdert u het hulpstuk. Het beste is als de garde, K-klopper of scheplepel de onderkant van de kom **8** bijna raken.
- klopper**
- Het beste is als de klopper het oppervlak van de kom net raakt, zodat de wand van de kom tijdens het mengen voorzichtig schoongeschrapt wordt **13**.

- 4 Gebruik een geschikte sleutel om de moer voldoende los te halen om de as af te kunnen stellen **9** of **14**. Als u het hulpstuk dichterbij de bodem van de kom wilt laten zakken, draait u de as naar links. Als u het hulpstuk van de bodem van de kom af wilt halen, draait u de as naar rechts.
  - 5 Draai de moer weer vast.
  - 6 Steek het hulpstuk in de mixer en laat de mixerkop zakken. (Controleer de positie aan de hand van bovenstaande punten).
  - 7 Herhaal deze stappen zo nodig, totdat het hulpstuk goed is afgesteld. Tot slot draait u de moer stevig aan.
- **Opmerking: De weergegeven sleutel dient alleen ter illustratie.**

### Deeghaak

Dit hulpstuk is in de fabriek ingesteld en hoeft niet verder afgesteld te worden.

# problemen oplossen

<b>Probleem</b>	<b>Oorzaak</b>	<b>Oplossing</b>
De garde of K-klopper stoot tegen de onderkant van de kom aan of bereikt de ingrediënten aan de bodem van de kom niet.	De hoogte van het hulpstuk is verkeerd en moet afgesteld worden.	Verstel de hoogte met een geschikte sleutel – raadpleeg het deel “Hulpstukken afstellen”.
Het lichtje ‘mixer klaar’ knippert wanneer de keukenmachine wordt ingeschakeld.	Snelheidsregeling staat niet op ‘O’.	Zet de snelheidsregeling op ‘O’.
De keukenmachine schakelt ineens uit. Het lichtje ‘mixer klaar’ knippert snel.	Overbelastingsbeveiliging of oververhittingssysteem geactiveerd. De maximumcapaciteit is overschreden.	Haal de stekker uit het stopcontact en controleer de machine op blokkeringen of overbelasting. Zet de snelheidsregeling op ‘O’ en start de machine opnieuw. Als de machine niet functioneert, verwijdert u enkele ingrediënten om de belasting te reduceren. Start de machine opnieuw. Als het probleem nog steeds niet is verholpen, haalt u de stekker uit het stopcontact en laat u de machine 15 minuten rusten. Steek de stekker in het stopcontact en laat de machine op de gewenste snelheid draaien. Als de machine na bovenstaande procedure niet start, neemt u contact op met de klantenservice.
Het lichtje ‘mixer klaar’ knippert langzaam terwijl de keukenmachine ingeschakeld is.	De keukenmachine is langer dan 30 minuten niet gebruikt en staat nu op stand-by.	Draai de snelheidsregeling naar ‘min’ en weer naar ‘O’ om de machine te resetten.



# onderhoud en reiniging

## verzorging en reiniging

- De machine altijd uitzetten en de stekker uit het stopcontact halen.

### **onderstel en afdekking van het aansluitpunt**

- Veeg ze met een vochtige doek schoon en droog ze af.
- Gebruik nooit schuurmiddelen en dompel de onderdelen nooit onder in water.
- Berg de rest van het snoer op in het opbergvak ⑩ aan de achterkant van de machine.

### **roestvrijstalen kom**

- Was de kom met de hand en droog hem goed af, of plaats hem in de vaatwasmachine.
- Gebruik geen staalborstel, schuursponsje of bleekmiddel om uw roestvrijstalen kom te reinigen. Gebruik azijn om kalkaanslag te verwijderen.
- Houd de kom uit de buurt van hittebronnen (gaspitten, ovens, magnetrons).

### **hulpstukken en spatscherm**

- Was de kom met de hand en droog hem goed af, of plaats hem in de vaatwasmachine.

### **klopper**

- Haal de flexibele wisser van het hulpstuk af voordat u het gaat schoonmaken ⑮.
- Was de flexibele wisser en het hulpstuk in zeepsop en droog beide elementen goed af. De elementen zijn vaatwasmachinebestendig

N.B.: inspecteer de conditie van het hulpstuk voor en na het gebruik en inspecteer ook regelmatig de conditie van de wisser. Vervang de elementen als er slijtage is opgetreden.

### **glazen kom**

- Was de kom in heet zeepsop af en droog hem daarna zorgvuldig af.
- De kom is ook vaatwasmachinebestendig.
- NB: De ring aan de onderkant van de kom is afneembaar en kan op dezelfde manier worden gereinigd. Om de ring te verwijderen, draait u de lege kom ondersteboven en schroeft de ring linksom van de kom af.

# onderhoud en klantenservice

- Als u problemen ondervindt met de werking van de machine, raadpleegt u de informatie onder 'problemen oplossen' in deze handleiding of gaat u naar [www.kenwoodworld.com](http://www.kenwoodworld.com).
- Dit product is gedekt door een garantie die voldoet aan alle wettelijke regels voor bestaande garanties en consumentenrechten die gelden in het land waar het product is gekocht.
- Als uw Kenwood product niet goed functioneert of als u defecten opmerkt, kunt u het naar een erkend Service Center van KENWOOD sturen of brengen. Voor informatie over het KENWOOD Service Center in uw buurt gaat u naar [www.kenwoodworld.com](http://www.kenwoodworld.com) of naar de specifieke website in uw land.
- Ontworpen en ontwikkeld door Kenwood in het VK.
- Vervaardigd in China.



## **BELANGRIJKE INFORMATIE VOOR DE JUISTE VERWIJDERING VAN HET PRODUCT VOLGENS DE EUROPESE RICHTLIJN BETREFFENDE AFGEDANKTE ELEKTRISCHE EN ELEKTRONISCHE APPARATUUR (AEEA)**

Aan het einde van de levensduur van het product mag het niet samen met het gewone huishoudelijke afval worden verwerkt. Het moet naar een speciaal centrum voor gescheiden afvalinzameling van de gemeente worden gebracht, of naar een verkooppunt dat deze service verschaft. Het apart verwerken van een huishoudelijk apparaat voorkomt mogelijke gevolgen voor het milieu en de gezondheid die door een ongeschikte verwerking ontstaan en zorgt ervoor dat de materialen waaruit het apparaat bestaat, teruggewonnen kunnen worden om een aanmerkelijke besparing van energie en grondstoffen te verkrijgen. Om op de verplichting tot gescheiden verwerking van elektrische huishoudelijke apparatuur te wijzen, is op het product het symbool van een doorgekruiste vuilnisbak aangebracht.

# découvrez votre robot pâtissier multifonction Kenwood

## **sécurité**

- Lisez et conservez soigneusement ces instructions pour pouvoir vous y référer ultérieurement.
- Retirez tous les éléments d'emballage et les étiquettes.
- Si le cordon ou la prise sont endommagés, il faut les faire remplacer, pour des raisons de sécurité, par Kenwood ou un réparateur agréé par Kenwood pour éviter tout accident.
- Éteignez et débranchez l'appareil avant d'adapter ou de retirer tout élément/accessoire, après l'utilisation et avant le nettoyage.
- N'approchez jamais vos doigts des éléments en mouvement ou des accessoires fixés sur votre robot.
- Ne laissez jamais le robot pâtissier multifonction sans surveillance lorsqu'il fonctionne.
- N'utilisez jamais un appareil endommagé ou en mauvais état. Faites-le vérifier et réparer. Pour cela reportez-vous à la rubrique 'service après-vente'.
- Ne laissez jamais le cordon pendre de telle façon qu'un enfant puisse s'en saisir.
- Ne mouillez jamais le bloc moteur, le cordon d'alimentation ou la prise.
- N'utilisez jamais un accessoire non recommandé ou les deux sorties en même temps.
- Ne dépassez jamais les capacités maximales de charge de l'appareil telles qu'elles sont précisées.
- Lorsque vous utilisez un accessoire, lisez attentivement les instructions sur la sécurité concernant cet accessoire.
- Faites attention lorsque vous retirez les ustensiles du bol car ils peuvent être chauds.
- Cet appareil est lourd. Prenez donc des précautions lorsque vous le soulevez. Assurez-vous que la tête est verrouillée et que le bol, les ustensiles, le cache de la sortie et le cordon d'alimentation sont attachés avant de soulever l'appareil.

- Saisissez toujours l'appareil par la base et la tête du mélangeur lorsque vous souhaitez le déplacer. NE PAS soulever ni transporter l'appareil par la poignée du bol.
- Ne bougez pas la tête du robot, et ne la soulevez pas lorsqu'un accessoire est installé car cela pourrait rendre le robot pâtissier multifonction instable.
- Ne faites pas fonctionner votre appareil près du bord d'un plan de travail.
- Cet appareil ne doit pas être utilisé par des enfants. Veuillez garder l'appareil et le cordon hors de portée des enfants.
- Les enfants doivent être surveillés afin qu'ils ne puissent pas jouer avec cet appareil.
- Toute mauvaise utilisation de votre appareil peut être source de blessures.
- Les appareils peuvent être utilisés par des personnes dont les capacités physiques, sensorielles ou mentales sont diminuées, ou qui ne disposent pas des connaissances ou de l'expérience nécessaires, si elles ont été formées et encadrées pour l'utilisation des appareils, et si elles ont conscience des risques encourus.
- N'employez l'appareil qu'à la fin domestique prévue. Kenwood décline toute responsabilité dans les cas où l'appareil est utilisé incorrectement ou que les présentes instructions ne sont pas respectées.

### **Bol en verre**

- **Avant l'utilisation, assurez-vous que les outils accompagnant le bol sont ajustés à la bonne hauteur et n'entrent pas en contact avec la base du bol ; reportez-vous à la section « Ajustement des outils ».**
- Pour éviter d'endommager le bol en verre, évitez tout contact avec des sources de chaleur élevée comme un four ou la plaque d'une cuisinière.
- Le bol en verre peut passer au four à micro-ondes.

## Instructions d'entretien particulières

Le verre étant une matière naturelle, une attention toute particulière a été portée lors de la fabrication de ce bol pour lui procurer un aspect parfait. Toutefois, il se peut que certaines petites imperfections apparaissent à l'œil nu, chose normale et prévisible mais sans pour autant que cela impacte les performances d'utilisation du bol.

### avant de brancher l'appareil

- Assurez-vous que l'alimentation électrique correspond à celle qui est indiquée sur la partie inférieure de votre appareil.
- **AVERTISSEMENT : CET APPAREIL DOIT ÊTRE RELIÉ À LA TERRE**

- Cet appareil est conforme au règlement 1935/2004 de la CE sur les matériaux et les articles destinés au contact alimentaire.

### avant d'utiliser votre appareil pour la première fois

- Lavez les pièces : reportez-vous à la section " entretien et nettoyage " .

découvrez votre robot pâtissier multifonction Kenwood

### Légende

- ① tête du robot
- ② sortie pour accessoire
- ③ couvercle de sortie
- ④ douille pour ustensile
- ⑤ bol
  - a acier inoxydable (si fourni)
  - b verre (si fourni)
- ⑥ bouton on/off (marche/arrêt) et de vitesse
- ⑦ témoin lumineux
- ⑧ corps du robot
- ⑨ manette de déblocage de la tête
- ⑩ compartiment de rangement du cordon
- ⑪ batteur- K
- ⑫ fouet
- ⑬ crochet à pétrir en spirale
- ⑭ batteur à crème (si fourni)
- ⑮ accessoire mélange délicat (si fourni)
- ⑯ spatule
- ⑰ couvercle anti-éclaboussures

### le mixer

#### les accessoires du mixer et quelques-unes de leurs utilisations possibles

##### batteur-K

- Pour réaliser des gâteaux, des biscuits, de la pâtisserie, des glaçages, des crèmes, des éclairs et des écrasés de pommes de terre.

##### fouet

- Pour battre des œufs, confectionner des crèmes, des préparations, des génoises, des meringues, des cheesecakes, des mousses, des soufflés. N'utilisez pas le fouet pour les mélanges épais (par exemple, pour monter en crème du sucre et des matières grasses) - vous risqueriez d'endommager votre robot.

##### pétrin

- Uniquement pour les mélanges à base de levure.

# le mixer

## **l'accessoire mélange délicat**

- L'accessoire mélange délicat est conçu pour incorporer les ingrédients légers dans les mélanges plus épais pour obtenir par exemple des meringues, des mousses, des mousses aux fruits, des génoises, des soufflés, et également pour incorporer la farine aux mélanges à gâteaux. Il ne peut pas être utilisé dans les préparations épaisses comme la pâte, le montage en crème de matières grasses et sucre, et les mélanges tout-en-un pour gâteaux.

## **batteur à crème**

- Le batteur à crème est conçu pour monter en crème et mélanger des ingrédients mous. Ne l'utilisez pas pour des recettes impliquant des pâtes épaisses ou des aliments durs tels que des fruits à noyaux, des os ou des coquilles.

## **installer la lame fouet**

- La lame fouet est fournie déjà installée et doit toujours être retirée pour le nettoyage 15.
- 1 Installez délicatement la lame fouet souple sur l'ustensile en disposant la base de la lame fouet dans la fente 10, puis positionnez un bord dans l'encoche avant de délicatement enclencher l'extrémité en place 11. Répétez l'opération avec l'autre bord 12.

## **pour utiliser le mixer**


- 1 Soulevez la manette de déblocage de la tête située 9 à l'arrière du robot pâtissier multifonction 1 tout en levant la tête 1 jusqu'à ce qu'elle se bloque en position relevée 2.
- 2 Positionnez l'ustensile requis dans l'axe. Puis appuyez dessus 3 et tournez 4 l'ustensile pour le verrouiller en position.
- 3 Posez le bol sur la base. Placez la poignée juste au-dessus du symbole "déverrouiller" 6, puis faire tourner doucement le bol dans le sens des aiguilles d'une montre jusqu'à ce que la poignée se trouve directement au-dessus du symbole "verrouiller" 6. NE PAS forcer excessivement et NE PAS trop serrer 5.
- 4 Soulevez la manette de déblocage de la tête située 9 à l'arrière du robot pâtissier multifonction tout en abaissant la tête du robot 1.
- 5 Branchez sur l'alimentation électrique : le témoin lumineux indiquant que le mixer est opérationnel s'allume.
- 6 Mettez sous tension en plaçant le contrôle de la vitesse sur la position requise.
- 7 Retirez l'ustensile en le tournant dans le sens des aiguilles d'une montre pour le sortir de l'axe, puis retirez-le.

## **important**

- Si vous soulevez la tête du robot alors que l'appareil fonctionne, celui-ci s'arrête immédiatement. Pour redémarrer le mixer, abaissez la tête du robot, positionnez le sélecteur de vitesse sur "O" (Arrêt), attendez quelques secondes, puis sélectionnez à nouveau la vitesse. Le mixer doit se remettre en marche immédiatement.
- Chaque fois que la tête du robot est relevée, le témoin lumineux indiquant que le mixer est opérationnel s'éteint. Lorsque la tête est abaissée, le témoin lumineux s'allume pour indiquer que le mixer est prêt pour être utilisé.

# le mixer

## astuces

- La fonction mélange  peut être utilisée pour insérer les ingrédients légers dans les mélanges plus épais pour obtenir par exemple des meringues, des mousses, des mousses aux fruits, des génoises et des soufflés, et également pour incorporer délicatement la farine et les fruits aux mélanges à gâteaux. Le mixer fonctionnera à vitesse lente constante.
- Pour incorporer intégralement les ingrédients, arrêtez de mélanger et raclez vers le bas les parois du bol à l'aide de la spatule.
- Il est conseillé d'utiliser des œufs à température ambiante pour les battre.
- Avant de monter des blancs en neige, vérifiez qu'il n'y a pas de graisse ou de jaune d'œuf sur le fouet ou dans le bol.
- Utilisez des ingrédients froids pour la pâte sauf indications contraires mentionnées sur votre recette.
- Si vous préparez des gâteaux à base de matière grasse et de sucre, utilisez-les toujours à température ambiante ou faites-les ramollir auparavant.
- Votre robot pâtissier multifonction est muni d'une fonction 'soft start' (démarrage en douceur) pour minimiser les déversements. Toutefois, si l'appareil est mis sous tension alors qu'une préparation lourde se trouve dans le bol (par exemple de la pâte à pain), quelques secondes peuvent s'écouler avant que le mixer n'atteigne la vitesse sélectionnée.

## commande à capteur de vitesse électronique

Votre mixer est équipé d'une commande à capteur de vitesse électronique conçu pour maintenir la

vitesse dans différentes conditions de charge, comme lorsque l'on pétrit de la pâte à pain ou incorpore les œufs dans une pâte à gâteaux. Vous pouvez donc entendre des variations de vitesse pendant l'opération alors que le mixer s'adapte à la charge et à la vitesse sélectionnée – c'est normal.

## points importants pour l'utilisation de l'accessoire mélange délicat

- N'utilisez pas une vitesse élevée car pour optimiser la performance de l'accessoire mélange délicat, il faut le faire fonctionner à vitesse faible.
- L'ustensile n'est pas conçu pour mélanger des ingrédients chauds : laissez les ingrédients refroidir avant d'utiliser l'accessoire mélange délicat.
- Pour de meilleurs résultats, ne fouettez pas trop les blancs en neige ou la crème – l'accessoire mélange délicat ne peut pas incorporer correctement le mélange si la préparation fouettée est trop ferme.
- Ne fouettez pas trop longtemps au risque de faire retomber l'appareil. Arrêtez dès que le mélange est suffisamment incorporé.
- Tous les ingrédients non mélangés restant sur la pale ou les bords du bol doivent être délicatement incorporés à l'aide de la spatule.

## points importants pour la fabrication du pain

- Ne dépassez jamais les capacités maximales, vous risqueriez de surcharger votre appareil.

- Si vous entendez l'appareil forcer, éteignez-le, retirez la moitié de la pâte et travaillez chaque moitié séparément.
- Les ingrédients se mélangeront mieux si vous versez les liquides en premier.
- Arrêtez régulièrement l'appareil et raclez le mélange avec le pétrin.
- Différents types de farine varient considérablement dans les quantités de liquide nécessaires et la viscosité de la pâte peut avoir un effet important sur la charge imposée à la machine. Il est conseillé de garder un œil sur l'appareil tandis que la pâte est en cours de mélange.

## le mixer

tableau des vitesses recommandées et capacités maximales				
Ces informations sont données à titre indicatif uniquement et varient en fonction de la quantité de mélange, du bol et des ingrédients en cours de mixage.				
Ustensile / accessoire	Type de recette	Vitesse	Durée maximale	Capacités maximales
Fouet	Blancs d'œuf	Max	3 minutes	2-12 (455 g)
	Crème		2 – 3 minutes	1 litre
Batteur	Préparations pour gâteau tout-en-un	Max	2 minutes	poids total de 2 kg 10 œufs
	Intégrer de la matière grasse à de la farine	Min à Vitesse 2	2 – 3 minutes	680 g de farine
Ajouter de l'eau pour lier la pâte et les ingrédients	Min	30 secondes		
Batteur à crème	Cake aux fruits			poids total de 2,72 Kg 9 œufs
	Matière grasse et sucre	Max	1½ – 3½ minutes	
	Ajouter les œufs	Max	1 – 2 minutes	
	Insérer la farine, les fruits, etc.	Min à Vitesse 1	30 secondes – 1 minute	
Pétrin	Pâte à pain (à la levure sèche)	Min à Vitesse 1	5 minutes	1,35 kg de farine poids total de 2,17 kg

\*Tailles des œufs utilisés = taille moyenne (poids variant de 53 à – 63 g)



# le mixer

tableau des quantités recommandées - accessoire mélange délicat							
Type de recette	Ustensile	Ingrédients	Qté. min.	Qté. max.	Vitesse recommandée	Durée approximative (pour la phase d'incorporation, sauf indication contraire)	Conseils et Astuces
Génoise / Génoise fourrée (de type Tropézienne)	Fouet	Œufs	3	9	Max	4 à 5 minutes	Fouettez les œufs et le sucre jusqu'à obtenir une préparation épaisse, crémeuse et jaune pâle.
	Accessoire mélange délicat	Farine	85 g	250 g	Fonction mélange délicat	2 à 8 minutes	Lorsque vous ajoutez la farine, disposez-la sur une feuille de papier sulfurisé, repliez un côté de la feuille pour former un bec verseur. Ajoutez progressivement la farine à la préparation à l'aide de la fonction mélange. Cette opération peut prendre jusqu'à 8 minutes, il faut donc faire preuve de patience et attendre que toute la farine ait été incorporée au mélange avant d'en ajouter.
Mélange complet		350 g	1 kg				
Soufflés	Fouet	Œufs	2	6	Max	1 minute	Fouettez un quart des blancs d'œufs battus à la vitesse 3 avant d'incorporer le reste des blancs d'œufs.
	Accessoire mélange délicat	Mélange complet	300 g	900 g	Fonction mélange délicat	1 minute	
Mousses aux fruits	Fouet	Crème	125 ml	600 ml	Max	1 à 2 minutes max	
	Accessoire mélange délicat	Purée de fruit	80 g	400 g	Fonction mélange délicat	1 à 2 minutes	
Mousse au chocolat	Fouet	Mélange complet	600 g	1,5 kg	Max	2 minutes ½	Ajoutez le chocolat fondu au mélange et incorporez tout à la fois. Incorporez ensuite les blancs d'œufs progressivement.
	Accessoire mélange délicat				Fonction mélange délicat		
Macarons	Fouet	Mélange complet	400 g	900 g	Max	1 minute	
	Accessoire mélange délicat				Fonction mélange délicat		

\* Les informations présentées ci-dessus sont fournies à titre indicatif seulement et tout dépend de la recette et des ingrédients utilisés.

Les œufs utilisés dans le tableau sont des œufs de taille moyenne (entre 53 et 63 g).

# installation et utilisation du couvercle anti-éclaboussures

- 1 Levez la tête du robot jusqu'en position verrouillée.
- 2 Installez le bol sur le socle.
- 3 Placer le couvercle anti-éclaboussures sur la partie inférieure de la tête du robot **6** jusqu'à insertion complète. La partie montée doit être positionnée tel qu'indiqué sur le schéma.
- 4 Insérez l'outil nécessaire.
- 5 Abaissez la tête du robot.
  - Durant le mélange, les ingrédients peuvent être ajoutés directement dans le bol par la section articulée du couvercle anti-éclaboussures **7**.
  - Vous n'avez pas besoin d'enlever le couvercle anti-éclaboussures pour changer d'outil.
- 6 Retirez le couvercle anti-éclaboussures en le faisant glisser vers le bas après avoir soulevé la tête du mixer.

## réglage des ustensiles

### Batteur-K, fouet, batteur à crème et accessoire mélange délicat

Les ustensiles sont réglés à la bonne hauteur, adaptée au bol fourni en usine et par conséquent aucun réglage ne s'avère nécessaire.

Toutefois, si vous devez régler l'accessoire, veuillez utiliser une clé adaptée de 15 mm :

Puis suivez les instructions ci-après :

- 1 Débranchez l'appareil.
- 2 Soulevez la tête du robot et insérez le fouet ou le batteur.

- 3 Baissez la tête du robot. Si le dégagement doit être ajusté, soulevez la tête du robot et retirez l'outil. Idéalement, le fouet, le batteur-K et l'accessoire de mélange délicat doivent **presque** toucher le fond du bol **8**.

#### batteur à crème

- Idéalement, il doit être en contact avec la surface du bol afin qu'il frotte délicatement contre le bol pendant le mixage **13**.
- 4 À l'aide d'une clé adaptée, desserrez suffisamment l'écrou pour pouvoir régler l'axe **9** ou **14**. Pour rapprocher l'ustensile du fond du bol, tournez l'axe dans le sens inverse des aiguilles d'une montre. Pour relever l'ustensile par rapport au fond du bol, tournez l'axe dans le sens des aiguilles d'une montre.
  - 5 Resserrez l'écrou.
  - 6 Installez l'ustensile sur le mixer et abaissez la tête du robot. (Vérifiez sa position - reportez-vous aux points ci-dessus).
  - 7 Renouvelez les étapes susmentionnées autant de fois qu'il le faut jusqu'à obtention du bon réglage. Une fois cette opération terminée, serrez de manière sécurisée l'écrou.
- **Remarque : la clé présentée est uniquement à des fins d'illustration.**

#### Pétrin

Cet ustensile est assemblé en usine et ne nécessite aucun réglage.


# Guide de dépannage

Problème	Cause	Solution
Le fouet ou le batteur-K racle le fond du bol ou n'atteint pas les ingrédients dans le fond du bol.	La pièce n'est pas à la bonne hauteur et nécessite d'être réglée.	Réglez la hauteur à l'aide d'une clé adaptée – reportez-vous à la rubrique “ Réglage des pièces “.
Le témoin lumineux indiquant que le mixer est opérationnel clignote lorsque le robot pâtissier multifonction est mis sous tension pour la première fois.	La commande de vitesse n'est pas sur la position “ O “.	Vérifiez et mettez la commande de vitesse sur la position “ O “.
Le robot pâtissier multifonction s'arrête en cours de fonctionnement. Le témoin lumineux indiquant que le mixer est opérationnel clignote rapidement.	La protection anti-surcharge ou surchauffe du système est activée. La capacité maximale est dépassée.	Débranchez et vérifiez qu'il n'y ait pas une obstruction ou une surcharge. Mettez la commande de vitesse sur “ O “ et redémarrez. Si l'appareil ne fonctionne pas, retirez une partie des ingrédients pour réduire la charge et redémarrez. Si le problème n'est pas résolu, débranchez l'appareil et laissez-le au repos pendant 15 minutes. Branchez et sélectionnez de nouveau la vitesse. Si le robot ne redémarre pas après l'application de la procédure susmentionnée, contactez le service “ après-vente “ pour plus de conseils.
Le témoin lumineux indiquant que le mixer est opérationnel clignote lentement lorsque le robot pâtissier multifonction est sous tension.	Le robot pâtissier multifonction est demeuré branché plus de 30 minutes sans fonctionner et est dès lors passé en mode Pause.	Positionnez la commande de vitesse sur “ min “ (minimum), puis repassez sur “ O “ (arrêt) pour réinitialiser l'appareil.

## entretien et nettoyage

- Éteignez toujours votre appareil et débranchez-le avant de le nettoyer.

### **bloc d'alimentation et couvercle de la sortie**

- Essuyez avec un chiffon humide, puis séchez.
- N'utilisez jamais de produits abrasifs ; n'immergez jamais dans l'eau.
- Rangez le cordon excédentaire dans le compartiment de rangement du cordon  au dos de l'appareil.


### **bol en acier inoxydable**

- Lavez-le à la main et séchez-le minutieusement ; vous pouvez également le passer au lave-vaisselle.
- N'utilisez jamais une brosse à récurer, de la laine d'acier ni de la javel pour nettoyer votre bol en acier inoxydable. Utilisez du vinaigre pour retirer les traces de calcaire.
- Maintenez à l'abri de la chaleur (tables de cuisson, fours, micro-ondes).

### **ustensiles et couvercle anti-éclaboussures**

- Lavez-le à la main et séchez-le minutieusement ; vous pouvez également le passer au lave-vaisselle.

### **batteur à crème**

- Retirez toujours la lame fouet flexible de l'ustensile avant le nettoyage .
- Lavez la lame fouet flexible et l'ustensile à l'eau chaude savonneuse, puis séchez-les intégralement. Les pièces peuvent également être passées au lave-vaisselle.

Remarque : veuillez inspecter l'état du corps de l'ustensile avant et après utilisation, et inspecter régulièrement l'état de la lame fouet, puis la remplacer en cas de signes d'usure.

### **bol en verre**

- Lavez le bol à l'eau chaude savonneuse, puis séchez-le minutieusement.
- Vous pouvez également le passer au lave-vaisselle.
- Remarque : la bague à la base du bol est amovible et peut être lavée de la même manière. Pour retirer la bague, retournez le bol vide et dévissez la bague dans le sens inverse des aiguilles d'une montre.

# service après-vente

- Si vous rencontrez des problèmes lors de l'utilisation de votre appareil, veuillez consulter notre site [www.kenwoodworld.com](http://www.kenwoodworld.com) avant de contacter le service après-vente.
- N'oubliez pas que votre appareil est couvert par une garantie, qui respecte toutes les dispositions légales concernant les garanties existantes et les droits du consommateur dans le pays où vous avez acheté le produit.
- Si votre appareil Kenwood fonctionne mal ou si vous trouvez un quelconque défaut, veuillez l'envoyer ou l'apporter à un centre de réparation KENWOOD autorisé. Pour trouver des détails actualisés sur votre centre de réparation KENWOOD le plus proche, veuillez consulter [www.kenwoodworld.com](http://www.kenwoodworld.com) ou le site internet spécifique à votre pays.
- Conçu et développé par Kenwood au Royaume-Uni.
- Fabriqué en Chine.



## **AVERTISSEMENTS POUR L'ÉLIMINATION CORRECTE DU PRODUIT CONFORMÉMENT AUX TERMES DE LA DIRECTIVE EUROPÉENNE RELATIVE AUX DÉCHETS D'ÉQUIPEMENTS ÉLECTRIQUES ET ÉLECTRONIQUES (DEEE).**

Au terme de son utilisation, le produit ne doit pas être éliminé avec les déchets urbains.

Le produit doit être remis à l'un des centres de collecte sélective prévus par l'administration communale ou auprès des revendeurs assurant ce service.

Éliminer séparément un appareil électroménager permet d'éviter les retombées négatives pour l'environnement et la santé dérivant d'une élimination incorrecte, et permet de récupérer les matériaux qui le composent dans le but d'une économie importante en termes d'énergie et de ressources. Pour rappeler l'obligation d'éliminer séparément les appareils électroménagers, le produit porte le symbole d'un caisson à ordures barré.

# Ihre Küchenmaschine von Kenwood

## Sicherheit

- Lesen Sie diese Anleitungen sorgfältig durch und bewahren Sie sie zur späteren Bezugnahme auf.
- Entfernen Sie sämtliche Verpackungen und Aufkleber.
- Falls Stecker oder Netzkabel beschädigt sind, müssen sie aus Sicherheitsgründen von Kenwood oder einer autorisierten Kenwood-Kundendienststelle ausgetauscht werden, um Gefahren zu vermeiden.
- Vor dem Einsetzen oder Abnehmen von Rührgeräten oder Zubehörteilen, nach dem Gebrauch und vor dem Reinigen immer ausschalten und Netzstecker ziehen.
- Greifen Sie nicht in rotierende Teile und montierte Vor- und Aufsätze.
- Die Küchenmaschine im Betrieb niemals unbeaufsichtigt lassen.
- Benutzen Sie eine beschädigte Maschine nicht weiter, sondern lassen Sie sie vor Benutzung überprüfen und reparieren - siehe Abschnitt „Kundendienst und Service“.
- Achten Sie darauf, dass kein Kabel in Reichweite eines Kindes ist.
- Achten Sie darauf, dass Motorblock, Kabel und Stecker niemals nass werden.
- Nur zugelassene Zusatzgeräte verwenden. Nie beide Zusatzgerätausgänge gleichzeitig verwenden.
- Überschreiten Sie die angegebenen Höchstmengen nicht.
- Beachten Sie die mit jedem Zubehörteil mitgelieferten Sicherheitsanweisungen.
- Vorsicht beim Entfernen von Röhrelementen aus der Schüssel – sie können nach längerem Gebrauch heiß sein.
- Vorsicht beim Anheben - dieses Gerät ist schwer. Achten Sie darauf, dass der Rührarm verriegelt ist und dass Schüssel, Zusatzgeräte, die Abdeckung des Zusatzgerätausgangs und das Kabel gesichert sind, bevor Sie das Gerät anheben.

- Das Gerät beim Umstellen immer am Sockel und Maschinenkopf anfassen. Das Gerät NICHT am Schüsselgriff hochheben oder tragen.
- Den Rührarm nicht mit angebrachtem Aufsatz bewegen oder hochklappen, da die Küchenmaschine dadurch ihren sicheren Stand verlieren könnte.
- Das Gerät nicht nahe der Kante einer Arbeitsfläche betreiben.
- Dieses Gerät darf nicht von Kindern verwendet werden. Gerät und Netzkabel müssen für Kinder unzugänglich sein.
- Kinder müssen überwacht werden, damit sie mit dem Gerät nicht spielen.
- Unsachgemäßer Gebrauch Ihres Geräts kann zu Verletzungen führen.
- Geräte können von Personen mit körperlichen, sensorischen oder geistigen Behinderungen oder von Personen mit mangelnder Erfahrung oder Kenntnis verwendet werden, sofern diese beaufsichtigt oder in die sichere Verwendung des Geräts eingewiesen wurden und sofern sie die damit verbundenen Gefahren verstehen.
- Verwenden Sie das Gerät nur für seinen vorgesehenen Zweck im Haushalt. Bei unsachgemäßer Benutzung oder Nichteinhaltung dieser Anweisungen übernimmt Kenwood keinerlei Haftung.

### **Glasschüssel**

- **Stellen Sie vor Gebrauch sicher, dass Ihre Röhrelemente auf die richtige Höhe eingestellt sind und den Schüsselboden nicht berühren – siehe Abschnitt „Einstellen von Röhrelementen“.**
- Setzen Sie die Glasschüssel keinen Hitzequellen wie einem Ofen oder Herdplatten aus.
- Die Glasschüssel ist mikrowellenfest.

## Besondere Pflegeanleitungen

Glas ist ein natürliches Material. Bei Herstellung der Schüssel wurde streng darauf geachtet, dass sie ein möglichst makelloses Erscheinungsbild hat. Es können jedoch kleine Unebenheiten sichtbar sein. Dies ist normal und zu erwarten, die Qualität der Schüssel wird davon nicht beeinträchtigt.

### Vor dem Anschluss

- Sicherstellen, dass die Netzspannung mit den Angaben auf der Unterseite des Geräts übereinstimmt.
- **WARNUNG: DIESES GERÄT MUSS GEERDET SEIN.**

- Das Gerät entspricht der EG-Verordnung Nr. 1935/2004 über Materialien und Gegenstände, die dazu bestimmt sind, mit Lebensmitteln in Berührung zu kommen.

### Vor erstmaligem Gebrauch

- Die Teile waschen: siehe „Pflege und Reinigung“.

## Die Küchenmaschine

### Übersicht

- ① Rührarm
- ② Ausgang für Zusatzgeräte
- ③ Abdeckung des Zusatzgeräteausgangs
- ④ Einstecköffnung für Rührwerkzeuge
- ⑤ Schüssel
  - a Edelstahl (wenn im Lieferumfang)
  - b Glas (wenn im Lieferumfang)
- ⑥ Ein-/Ausschalter und Geschwindigkeitsschalter
- ⑦ Küchenmaschine "Bereit"-Anzeigenleuchte
- ⑧ Antriebseinheit
- ⑨ Freigabehebel für den Rührarm
- ⑩ Kabelfach
- ⑪ K-Haken
- ⑫ Schneebesen
- ⑬ Spiral-Knethaken
- ⑭ Flexi-Rührelement (wenn im Lieferumfang)
- ⑮ Unterheb-Rührelement (wenn im Lieferumfang)
- ⑯ Spatel
- ⑰ Spritzschutz

### Die Rührwerkzeuge und ihre Verwendung

#### K Haken

- Zur Zubereitung von Kuchen, Plätzchen, Gebäck, Zuckerguss, Füllungen, Brandteig und Kartoffelpüree.

#### Schneebesen

- Für Eier, Sahne, Rührteig, Biskuitteig ohne Fett, Baisers, Käsekuchen, Cremes und Soufflés. Den Schneebesen nicht für schwere Mischungen (z. B. zum Schaumigschlagen von Fett und Zucker) verwenden – er könnte dadurch beschädigt werden.

#### Knethaken

- Für schwere Teige, wie Hefe- oder Brotteige.

#### Unterheb-Rührelement

- Das Unterheb-Rührelement dient zum Unterheben von leichten Zutaten in schwereren Mischungen (z. B. Baisers, Mousse, Schaumspeisen, Biskuitteig und Soufflés) oder zum Unterheben von



# Die Küchenmaschine

Mehl in Kuchenteige. Es eignet sich nicht für schwere Massen wie Knetteig, zum Schaumigschlagen von Fett und Zucker oder für Teige, bei denen alle Zutaten gleichzeitig verarbeitet werden.

## Flexi-Rührelement

- Das Flexi-Rührelement dient zum Schaumigschlagen und Verrühren weicher Zutaten. Es eignet sich nicht für schweres Mischgut wie Knetteig oder für harte Zutaten (mit Kernen, Knochen, Schalen usw.).

## Anbringen des Gummi-Flügels

- Der Gummi-Flügel ist bei Lieferung bereits angebracht und sollte zur Reinigung stets entfernt werden ⑮.
- 1 Bringen Sie den Gummi-Flügel am Rührelement an, indem Sie den unteren Teil des Flügels in den Schlitz stecken ⑩, dann eine Seite in die Rille einsetzen und vorsichtig das Ende festhaken ⑪. Wiederholen Sie den Vorgang auf der anderen Seite ⑫.

## Verwendung der Küchenmaschine

- 1 Heben Sie den Freigabehebel des Rührarms ⑨ an der Rückseite des Geräts an ①, und klappen Sie gleichzeitig den Rührarm ① hoch, bis er in der hochgeklappten Position einrastet ②.
- 2 Führen Sie das gewünschte Rührelement in den Steckplatz ein. Schieben Sie dann das Element nach oben ③ und drehen Sie es ④, bis es einrastet.
- 3 Setzen Sie die Schüssel auf den Sockel. Achten Sie dabei darauf, dass der Griff sich direkt über dem Entriegelungssymbol ⑥ befindet,


und drehen Sie die Schüssel sanft im Uhrzeigersinn, bis der Griff sich direkt über dem Verriegelungssymbol ⑥ befindet. NICHT zu viel Kraftaufwand BENUTZEN und NICHT zu fest drehen ⑤.

- 4 Heben Sie den Freigabehebel des Rührarms ⑨ an der Rückseite des Geräts an, und klappen Sie gleichzeitig den Rührarm nach unten ①.
- 5 Stecken Sie den Netzstecker in die Steckdose – die „Bereit“-Anzeigeleuchte leuchtet auf.
- 6 Starten Sie die Küchenmaschine, indem Sie den Geschwindigkeitsschalter auf die gewünschte Stellung drehen.
- 7 Entfernen Sie das Rührelement aus dem Steckplatz, indem Sie es im Uhrzeigersinn drehen und dann herausziehen.

## Wichtig

- Wird der Rührarm während des Betriebs hochgeklappt, stoppt die Küchenmaschine sofort. Zum erneuten Betrieb den Rührarm nach unten klappen, den Geschwindigkeitsschalter auf „0“ stellen, einige Sekunden warten und dann wieder eine Geschwindigkeit einstellen. Die Küchenmaschine sollte sofort wieder starten.
- Immer wenn der Rührarm hochgeklappt ist, erlischt die „Bereit“-Anzeigeleuchte. Wird der Rührarm nach unten geklappt, leuchtet die Anzeige auf, um anzuzeigen, dass die Maschine betriebsbereit ist.

## Tipps

- Die Unterheb-Funktion  dient zum Unterheben von leichten Zutaten in schwerere Mischungen (z. B. Baisers, Mousse, Schaumspeisen, Biskuitteig und Soufflés) oder zum

# Die Küchenmaschine

langsamen Einrühren von Mehl und anderen Zutaten (z. B. Rosinen) in Kuchenteige. Die Küchenmaschine arbeitet bei gleichbleibender niedriger Geschwindigkeit.

- Um alle Zutaten komplett zu verarbeiten, die Maschine stoppen und das Mischgut mit dem Spatel von den Seiten der Schüssel nach unten schaben.
- Zum Schlagen eignen sich am besten Eier, die Raumtemperatur haben.
- Vergewissern Sie sich vor dem Steifschlagen von Eiweiß, dass der Schneebesen und die Schüssel frei von Fett und Eigelb sind.
- Wenn im Rezept nicht anders angegeben, sollten die Zutaten für Gebäck kalt sein.
- Beim Schaumigrühren von Fett und Zucker für Kuchenteig sollte das Fett immer Raumtemperatur haben oder es muss zuerst weich werden.
- Ihre Küchenmaschine hat einen Soft-Anlauf mit stetiger Geschwindigkeitssteigerung, um Spritzer zu vermeiden. Wenn das Gerät jedoch mit einer schweren Mischung in der Schüssel, z. B. mit Brotteig, eingeschaltet wird, kann es einige Sekunden dauern, bis die Küchenmaschine die gewünschte Geschwindigkeit erreicht.

## **Elektronische Geschwindigkeits-sensorkontrolle**

Ihre Küchenmaschine ist mit einer elektronischen Geschwindigkeits-sensorkontrolle ausgestattet, die dazu dient, die Geschwindigkeit unter verschiedenen Belastungsbedingungen aufrechtzuerhalten, beispielsweise beim Kneten von Brotteig oder beim Einarbeiten von Eiern in einen Kuchenteig. Deshalb kann die

Geschwindigkeit im Betrieb hörbar variieren, wenn die Küchenmaschine die Geschwindigkeit an die jeweilige Belastung und die gewählte Geschwindigkeit anpasst – das ist normal.

## **Wichtige Hinweise zur Verwendung Ihres Unterheb-Röhrelements**

- Keine hohen Geschwindigkeiten verwenden, da zum optimalen Unterheben eine niedrige Geschwindigkeit erforderlich ist.
- Das Unterheb-Röhrelement eignet sich nicht zum Einrühren von heißen Zutaten. Diese daher vor Gebrauch des Rührers abkühlen lassen.
- Für beste Ergebnisse sollten Eischnee und Sahne nicht zu stark geschlagen werden – das Unterheb-Röhrelement kann die Mischung nicht korrekt verarbeiten, wenn sie zu fest ist.
- Schlagen Sie die Mischung nicht zu lange, da sie ansonsten ihre Luftigkeit und Konsistenz verliert. Stoppen Sie, sobald die Zutaten ausreichend gemischt sind.
- Etwaige nicht vermischte Zutaten am Unterheb-Röhrelement oder an der Schüsselwand sollten vorsichtig mit einem Spatel untergehoben werden.

## **Wichtige Hinweise zu Brotteigen**

- Niemals die angegebenen Höchstmengen überschreiten – die Maschine wäre dadurch überbelastet.
- Sollten Sie den Eindruck haben, das Gerät arbeitet zu mühsam, schalten Sie es ab und entleeren Sie einen Teil

der Mischung. Verarbeiten Sie beide Teighälften getrennt.

- Die Zutaten lassen sich am besten vermischen, wenn Sie zuerst die Flüssigkeit einfüllen.
- Stoppen Sie das Gerät zwischendurch und schaben Sie den Teig vom Knethaken ab.

- Je nach Mehlsorte kann die erforderliche Flüssigkeitsmenge stark variieren, und die Klebrigkeit des Teigs wirkt sich deutlich auf den Belastungsgrad der Maschine aus. Wir raten Ihnen, das Gerät beim Teigkneten zu überwachen.

## Die Küchenmaschine

Empfehlungstabelle für Geschwindigkeiten und Höchstmengen				
Dies sind lediglich Richtwerte, die je nach verwendeten Zutaten und Menge des Mischguts in der Schüssel variieren können.				
Röhrelement/ Aufsatz	Rezept/Verfahren	Geschwindigkeit	Maximale Zeit	Maximale Mengen
Schneebeisen	Eiweiß	Max	3 Min.	2-12 (455 g)
	Sahne		2 - 3 Min.	1 Liter
K-Haken	Schneller Kuchenteig (alles in einem)	Max	2 Min.	2 kg Gesamtgewicht Teig mit 10 Eiern
	Einarbeiten von Fett in Mehl	Min bis Stufe 2	2 - 3 Min.	680 g Mehl
	Hinzufügen von Wasser zum Verkneten der Backzutaten	Min	30 Sek.	
Flexi-Röhrelement	Rührteig			2,72 kg Gesamtgewicht 9 Eier
	Schaumigschlagen von Fett und Zucker	Max	1½ – 3½ Min.	
	Hinzufügen von Eiern	Max	1 - 2 Min.	
	Unterheben von Mehl, Rosinen usw.	Min bis Stufe 1	30 Sek. - 1 Min.	
Knethaken	Brotteig (fester Hefeteig)	Min bis Stufe 1	5 Min.	1,35 kg Mehlgewicht 2,17 kg Gesamtgewicht

\*Eiergröße in der Tabelle = mittelgroß (53 - 63 g)

# Die Küchenmaschine

Empfehlungstabelle - Unterheb-Röhrelement							
Rezeptart	Röhrelement	Zutaten	Min. Menge	Max. Menge	Empfohlene Geschwindigkeit	Ungefähre Zeit für das Unterheben (wenn nicht, anders angegeben)	Hinweise und Tipps
Biskuitteig	Schneebesen	Eier	3	9	Max	4 - 5 Min.	Eier und Zucker schlagen, bis die Masse dick, hell und cremig wird.
	Unterheb-Röhrelement	Mehl	85 g	250 g	Unterheb-Funktion	2 - 8 Min.	Zum sauberen Hinzugeben des Mehls dieses auf ein Blatt Backpapier schütten und die Seiten des Blatts nach innen falten, damit eine Rinne entsteht. Das Mehl stufenweise unter Verwendung der Unterheb-Funktion zur Mischung hinzufügen. Vorgang kann bis zu 8 Minuten dauern. Seien Sie also geduldig und warten Sie, bis die letzte Zugabe verarbeitet ist, bevor Sie weiteres Mehl dazugeben.
Gesamtgewicht		350 g	1 kg				
Soufflés	Schneebesen	Eier	2	6	Max	1 Min.	Ein Viertel des Eischnees bei Geschwindigkeitsstufe 3 einrühren und dann den restlichen Eischnee unterheben.
	Unterheb-Röhrelement	Gesamtgewicht	300 g	900 g	Unterheb-Funktion	1 Min.	
Schaumspeisen	Schneebesen	Sahne	125 ml	600 ml	Max	1 – 2 Min. max	
	Unterheb-Röhrelement	Püriertes Obst	80 g	400 g	Unterheb-Funktion	1 – 2 Min.	
Schokoladenmousse	Schneebesen	Gesamtgewicht	600 g	1,5 kg	Max	2½ Min.	Die geschmolzene Schokolade in die Mischung geben und unterheben. Das Eiweiß schrittweise unterheben.
	Unterheb-Röhrelement				Unterheb-Funktion		
Makronen	Schneebesen	Gesamtgewicht	400 g	900 g	Max	1 Min.	
	Unterheb-Röhrelement				Unterheb-Funktion		

\* Die obigen Angaben dienen lediglich zur Orientierung. Tatsächliche Mengen und Zeiten sind abhängig vom jeweiligen Rezept und den verarbeiteten Zutaten.  
Eiergröße in der Tabelle = mittelgroß (53 g - 63 g).

# Anbringen und Verwenden Ihres Spritzschutzes

- 1 Rührarm anheben, bis er einrastet.
- 2 Schüssel auf den Sockel aufsetzen.
- 3 Spritzschutz auf die Unterseite des Rührarms **6** drücken, bis er fest sitzt. Der Scharnierabschnitt sollte sich in der gezeigten Position befinden.
- 4 Das gewünschte Rührwerkzeug einsetzen.
- 5 Rührarm absenken.
  - Während des Rührvorgangs können durch die Öffnung im Spritzschutz weitere Zutaten direkt zugegeben werden **7**.
  - Zum Auswechseln der Rührwerkzeuge ist es nicht erforderlich, den Spritzschutz zu entfernen.
- 6 Zum Abnehmen des Spritzschutzes den Rührarm anheben und den Spritzschutz abziehen.

# Einstellen von Rührelementen

## K-Haken, Schneebesen, Flexi-Rührelement und Unterheb-Rührelement

Die Rührelemente wurden im Werk auf die richtige Höhe für die mitgelieferte Rührschüssel eingestellt und sollten keine weitere Anpassung benötigen. Wenn Sie jedoch die Höhe des Rührelements verändern möchten, verwenden Sie einen Schraubenschlüssel von 15 mm:

Folgen Sie dann den untenstehenden Anleitungen:

- 1 Ziehen Sie den Netzstecker der Maschine.
- 2 Klappen Sie den Rührarm hoch und führen Sie den Schneebesen oder das Rührelement ein.
- 3 Klappen Sie den Rührarm nach unten. Wenn Sie den Abstand ändern müssen, klappen Sie den Rührarm nach oben und nehmen Sie das Rührelement ab. Schneebesen, K-Haken und Unterheb-Rührelement sollten am besten **fast** den Boden der Schüssel berühren **8**.

### Flexi-Rührelement

- Es sollte die Schüssel gerade eben berühren, so dass es im Betrieb sanft an den Schüsselwänden entlanggleitet **13**.
- 4 Lösen Sie die Mutter mit einem geeigneten Schraubenschlüssel genügend, um die Höhe des Schafts verstellen zu können **9** oder **14**. Zum Senken des Rührelements drehen Sie den Schaft gegen den Uhrzeigersinn. Zum Anheben des Rührelements drehen Sie den Schaft im Uhrzeigersinn.
  - 5 Ziehen Sie die Mutter wieder fest.

# Einstellen von Röhrelementen

6 Bringen Sie das Röhrelement erneut am Rührarm an und klappen Sie ihn nach unten. (Prüfen Sie seine Position – siehe obige Punkte.)

7 Wiederholen Sie die Schritte nach Bedarf, bis das Röhrelement richtig sitzt. Ziehen Sie daraufhin die Mutter wieder fest an.

- **Hinweis: Der abgebildete Schraubenschlüssel dient nur Illustrationszwecken.**

## Knethaken

Dieses Röhrelement wird im Werk eingestellt und sollte keine Anpassung benötigen.

# Fehlerbehebung

Problem	Ursache	Lösung
Der Schneebesen oder K-Haken schlägt gegen den Boden der Schüssel oder reicht nicht bis zu den Zutaten unten in der Schüssel.	Röhrelement hat nicht die richtige Höhe und muss angepasst werden.	Die Höhe mit einem geeigneten Schraubenschlüssel anpassen – siehe Abschnitt „Einstellen von Röhrelementen“.
„Bereit“-Anzeigeleuchte blinkt beim ersten Einschalten der Küchenmaschine.	Geschwindigkeitsregler nicht auf „O“ gestellt.	Überprüfen und Geschwindigkeitsregler auf „O“ stellen.
Die Küchenmaschine stoppt während des Betriebs. „Bereit“-Anzeigeleuchte blinkt schnell.	Überlastungs- oder Überhitzungssystem aktiviert. Höchstmengen wurden überschritten.	Ausschalten und auf Blockierung oder Überlastung überprüfen. Den Geschwindigkeitsregler auf „O“ stellen und erneut einschalten. Wenn die Maschine nach wie vor nicht funktioniert, einige Zutaten entfernen, um die Last zu reduzieren, und erneut starten. Wenn auch dies das Problem nicht löst, den Netzstecker ziehen und die Maschine 15 Minuten ruhen lassen. Wieder einschalten und die Geschwindigkeit neu auswählen. Sollte die Maschine danach immer noch nicht starten, den Kundendienst zu Rate ziehen.
„Bereit“-Anzeigeleuchte blinkt langsam, während die Küchenmaschine eingeschaltet ist.	Die eingeschaltete Küchenmaschine wurde 30 Minuten lang nicht betrieben und ist in den Standby-Modus übergegangen.	Den Geschwindigkeitsschalter auf „Min“ und dann auf „O“ zurückdrehen, um die Maschine zurückzusetzen.

# Reinigung und Service

## Pflege und Reinigung

- Schalten Sie vor jeder Reinigung das Gerät aus und ziehen Sie den Stecker aus der Steckdose.

### **Antriebseinheit und Abdeckung des Zusatzgeräteausgangs**

- Mit einem feuchten Tuch abwischen und trocknen lassen.
- Niemals Scheuermittel benutzen oder in Wasser tauchen.
- Überhängendes Kabel im Kabelfach ⑩ hinten in der Antriebseinheit verstauen.

### **Edelstahlschüssel**

- Von Hand spülen und gründlich abtrocknen oder in die Spülmaschine geben.
- Die Schüssel aus Edelstahl niemals mit einer Drahtbürste, Stahlwolle oder Bleichmittel reinigen. Kalkablagerungen mit Essig entfernen.
- Von Hitzequellen fernhalten (Herdplatten, Öfen, Mikrowellen).

### **Rührelemente und Spritzschutz**

- Von Hand spülen und gründlich abtrocknen oder in die Spülmaschine geben.

### **Flexi-Rührelement**

- Den Gummi-Flügel zum Reinigen grundsätzlich vom Rührelement abnehmen ⑮.
- Gummi-Flügel und Flexi-Rührelement in heißem Wasser und Spülmittel abwaschen und beides gründlich abtrocknen. Die Teile lassen sich auch in der Geschirrspülmaschine waschen.

Hinweis: Bitte überprüfen Sie den Zustand des Gerätekörpers vor und nach Gebrauch. Überprüfen Sie außerdem regelmäßig den Gummi-Flügel und ersetzen Sie ihn, wenn er Verschleißerscheinungen aufweist.

### **Glasschüssel**

- Die Schüssel mit heißem Wasser und Spülmittel abwaschen und gründlich abtrocknen.
- Sie können die Schüssel auch in die Geschirrspülmaschine geben.
- Hinweis: Der Sockelring unten an der Schüssel ist abnehmbar und kann auf die gleiche Weise abgewaschen werden. Zum Entfernen des Sockelrings die leere Schüssel umdrehen und den Ring gegen den Uhrzeigersinn abdrehen.

# Kundendienst und Service

- Sollten Sie irgendwelche Probleme mit dem Betrieb Ihres Geräts haben, ziehen Sie bitte den Abschnitt „Fehlerbehebung“ zu Rate oder besuchen Sie [www.kenwoodworld.com](http://www.kenwoodworld.com), bevor Sie Hilfe anfordern.
- Bitte beachten Sie, dass Ihr Produkt durch eine Garantie abgedeckt ist – diese erfüllt alle gesetzlichen Anforderungen hinsichtlich geltender Garantie- und Verbraucherrechte in dem Land, in dem das Produkt gekauft wurde.
- Falls Ihr Kenwood-Produkt nicht ordnungsgemäß funktioniert oder Defekte aufweist, bringen Sie es bitte zu einem autorisierten KENWOOD Servicecenter oder senden Sie es ein. Aktuelle Informationen zu autorisierten KENWOOD Servicecentern in Ihrer Nähe finden Sie bei [www.kenwoodworld.com](http://www.kenwoodworld.com) bzw. auf der Website für Ihr Land.
- Gestaltet und entwickelt von Kenwood GB.
- Hergestellt in China.



## **WICHTIGER HINWEIS FÜR DIE KORREKTE ENTSORGUNG DES PRODUKTS IN ÜBEREINSTIMMUNG MIT DER EG-RICHTLINIE ÜBER ELEKTRO- UND ELEKTRONIK-ALTGERÄTE (WEEE)**

Am Ende seiner Nutzungszeit darf das Produkt NICHT mit dem Hausmüll entsorgt werden. Es muss zu einer örtlichen Sammelstelle für Sondermüll oder zu einem Fachhändler gebracht werden, der einen Rücknahmeservice anbietet. Die getrennte Entsorgung eines Haushaltsgeräts vermeidet mögliche negative Auswirkungen auf die Umwelt und die menschliche Gesundheit, die durch eine nicht vorschriftsmäßige Entsorgung bedingt sind. Zudem ermöglicht dies die Wiederverwertung der Materialien, aus denen das Gerät hergestellt wurde, was erhebliche Einsparungen an Energie und Rohstoffen mit sich bringt. Zur Erinnerung an die korrekte getrennte Entsorgung von Haushaltsgeräten ist das Gerät mit dem Symbol einer durchgestrichenen Mülltonne gekennzeichnet.



## conoscere la vostra kitchen machine

### **sicurezza**

- Leggere attentamente le presenti istruzioni e conservarle come futuro riferimento.
- Rimuovere la confezione e le etichette.
- Se la spina o il cavo sono danneggiati, per motivi di sicurezza, devono essere sostituiti da Kenwood o da un riparatore autorizzato da Kenwood per evitare pericoli.
- Spegnerne l'apparecchio e togliere la spina dalla presa di corrente prima di inserire od estrarre utensili/accessori, dopo l'uso e prima della pulizia.
- Tenere le dita lontano dalle parti componenti e dagli accessori inseriti mentre sono in movimento.
- Non lasciare mai la Kitchen Machine incustodita durante il suo funzionamento.
- Non usare l'apparecchio se appare danneggiato. Farlo controllare o riparare da personale apposito (vedere per le informazioni manutenzione e assistenza tecnica).
- Non lasciare mai che il cavo penzoli da una superficie dove un bambino potrebbe afferrarlo.
- Non lasciare mai che il corpo motore, il cavo o la spina si bagnino.
- Non usare mai un accessorio non autorizzato né entrambi gli attacchi in simultanea.
- Non superare la capacità massima dell'apparecchio riguardo la quantità di cibo da inserire.
- Quando si desidera usare un accessorio, leggere le istruzioni di sicurezza che lo corredano.
- Fare attenzione a rimuovere gli accessori della ciotola dopo un uso prolungato, perché potrebbero essere caldi.
- Fare attenzione nel sollevare questo apparecchio, che pesa molto. Verificare che la testa sia bloccata in posizione e che ciotola, utensili, copri-attacco e cavo elettrico siano ben saldi prima di sollevare l'apparecchio.

- Quando si sposta l'apparecchio, sollevare sempre dalla base del piedistallo e dalla testa del mixer. **NON** sollevare o trasportare l'apparecchio con la maniglia della ciotola.
- Non spostare né sollevare la testa della macchina quando l'attrezzatura è montata perché la Kitchen Machine potrebbe diventare instabile.
- Non utilizzare la macchina sul bordo di una superficie di lavoro.
- Questo apparecchio non dev'essere utilizzato dai bambini. Tenere apparecchio e cavo lontani dalla portata dei bambini.
- Sorvegliare i bambini, assicurandosi che non giochino con l'apparecchio.
- Un utilizzo scorretto dell'apparecchio può provocare serie lesioni fisiche.
- Gli apparecchi possono essere utilizzati da persone con ridotte capacità psicofisico-sensoriali, o con esperienza e conoscenze insufficienti solo nel caso in cui siano state attentamente sorvegliate e istruite da un responsabile su come utilizzare un apparecchio in modo sicuro e siano consapevoli dei pericoli.
- Utilizzare l'apparecchio solo per l'uso domestico per cui è stato realizzato. Kenwood non si assumerà alcuna responsabilità se l'apparecchio viene utilizzato in modo improprio o senza seguire le presenti istruzioni.

### **Ciotola di vetro**

- **Prima dell'uso assicurarsi che gli utensili della ciotola siano regolati all'altezza corretta e non siano in contatto con il fondo della ciotola. Fare riferimento alla sezione "regolazione utensili".**
- Per evitare di danneggiare la ciotola in vetro, evitare che questa entri in contatto con fonti di forte calore, come un forno o un fornello.
- La ciotola in vetro può essere scaldata col microonde.

## Ulteriori istruzioni per la cura

Il vetro è un materiale naturale; nella fabbricazione di questa ciotola è stato fatto tutto il possibile per garantire un aspetto perfetto, ma è possibile che si presenti qualche piccola imperfezione. Ciò è normale e prevedibile e il rendimento della ciotola di vetro non subirà nessun impatto.

### prima di collegare l'apparecchio alla rete elettrica

- Assicurarsi che la tensione della vostra rete elettrica sia la stessa di quella indicata sulla targhetta sotto l'apparecchio.
- **AVVERTENZA: L'APPARECCHIO DEVE ESSERE MESSO A TERRA.**

- Questo apparecchio è conforme al regolamento (CE) No. 1935/2004 sui materiali e articoli in contatto con alimenti.

### prima di utilizzare l'apparecchio per la prima volta

- Lavare i componenti: fare riferimento alla sezione 'cura e pulizia'.

## il mixer

### Legenda

- ① testa della macchina
- ② attacco per accessori
- ③ copri-attacco
- ④ presa per gli utensili
- ⑤ ciotola
  - a di acciaio inossidabile (se in dotazione)
  - b di vetro (se in dotazione)
- ⑥ selettore acceso/spento e velocità
- ⑦ spia di mixer pronto
- ⑧ corpo del mixer
- ⑨ levetta sgancia-testa
- ⑩ vano riponi cavo
- ⑪ frusta K
- ⑫ frusta a filo
- ⑬ gancio impastatore a spirale
- ⑭ frusta flessibile (se in dotazione)
- ⑮ spatola per pasticceria (se in dotazione)
- ⑯ spatola
- ⑰ paraschizzi

### gli accessori per miscelare e il loro uso

#### Frusta K

- Per preparare torte, biscotti, dolci, glassa, ripieni, bignè e altri impasti semi-duri.

#### frusta a filo

- Per sbattere uova, panna, pastelle, pan di spagna, meringhe, cheesecake, mousse, soufflé. Non usare la frusta a filo per miscele dense (ad es. per amalgamare burro e zucchero), che potrebbero danneggiarla.

#### gancio impastatore

- Per miscele a base di lievito.

#### spatola per pasticceria

- La spatola per pasticceria è studiata per incorporare ingredienti leggeri a miscele più dense, come ad esempio meringhe, mousse, fruit fool (dessert a base di

# il mixer

frutta e crema), pan di spagna, soufflé e per incorporare la farina in miscele per dolci. Non utilizzare per miscele più pesanti come pasta, montare a neve burro e zucchero o per le miscele dei preparati per dolci.

## frusta flessibile

- La frusta è concepita per montare e miscelare ingredienti morbidi. Non utilizzare con ricette che comprendono ingredienti duri quali gusci, ossi o noccioli di frutta.

## montare la frusta piatta

- La frusta piatta viene fornita in dotazione e deve essere sempre rimossa per la pulizia 15.
- 1 Montare con attenzione la frusta piatta flessibile collocando la base della frusta piatta nella scanalatura 10 poi fissare un lato nella scanalatura prima di agganciare un'estremità in posizione 11. Ripetere dall'altro lato 12.

## come utilizzare il vostro mixer

- 1 Sollevare la levetta sganciatesta 9 sulla parte posteriore della Kitchen Machine 1 e, allo stesso tempo, sollevare la testa 1 fino a bloccarla nella posizione sollevata 2.
- 2 Inserire l'utensile desiderato nella presa. Spingere verso l'alto 3 e ruotare 4 l'accessorio per bloccarlo in posizione.
- 3 Montare la ciotola sulla base. Collocare la maniglia direttamente sul simbolo di sblocco 6, poi ruotare lentamente la ciotola in senso orario fino a fare arrivare la maniglia direttamente sotto il simbolo di blocco 6. **NON APPLICARE** troppa forza e **NON** stringere troppo 5.

- 4 Sollevare la levetta sganciatesta 9 sulla parte posteriore della Kitchen Machine e, allo stesso tempo, abbassare la testa del mixer 1.
- 5 Inserire la spina nella presa di corrente e la 'spia di mixer pronto' si accenderà.
- 6 Accendere l'apparecchio ruotando il selettore della velocità fino alla posizione desiderata.
- 7 Smontare l'accessorio ruotandolo in senso orario per sbloccarlo dalla presa e rimuoverlo.

## importante

- Se la testa della macchina viene sollevata con l'apparecchio in funzione, quest'ultimo si ferma immediatamente. Per farlo ripartire, abbassare la testa della macchina, impostare la velocità sulla posizione spenta, attendere qualche secondo e poi selezionare nuovamente la velocità. Il mixer dovrebbe rimettersi subito in funzione.
- Ogni volta che la testa della macchina viene sollevata, la 'spia di mixer pronto' si spegne. Abbassando la testa, la spia si accende, indicando che il mixer è pronto per l'uso.

## suggerimenti

- La funzione Spatola 7 può essere utilizzata per incorporare ingredienti leggeri a miscele più dense, come ad esempio meringhe, mousse, fruit fool (dessert a base di frutta e crema), pan di spagna e soufflé e per incorporare lentamente la farina e la frutta in miscele per dolci. Il mixer funzionerà a velocità bassa e costante.
- Per amalgamare meglio gli ingredienti, spegnere la macchina e riportare il composto al centro della ciotola aiutandosi con la spatola.

# il mixer

- Per montare le uova è meglio utilizzare uova a temperatura ambiente.
- Prima di montare albumi assicurarsi che il frusta a filo o la ciotola non siano unti o sporchi di tuorlo.
- Utilizzare ingredienti freddi per preparate pasta frolla e simili, a meno che la ricetta non indichi diversamente.
- Quando si montano burro e zucchero per preparare torte utilizzare sempre burro a temperatura ambiente o farlo prima ammorbidire.
- Questa Kitchen Machine è provvisto di una funzione di 'avvio lento', per minimizzare le fuoriuscite. Tuttavia, se la si accende in presenza di un impasto pesante nella ciotola, come un impasto per il pane, forse occorreranno alcuni secondi prima che l'apparecchio raggiunga la velocità selezionata.

## **sensore elettronico della velocità**

Il vostro mixer è dotato di un sensore elettronico della velocità progettato allo scopo di mantenere costante la velocità in condizioni di carico diverse, per esempio nel caso della lavorazione del pane o quando si aggiungono uova a una miscela per dolci. Pertanto è possibile che la velocità vari durante la lavorazione, poiché il mixer si adatta al carico e alla velocità selezionata; tutto ciò è normale.

## **punti essenziali per l'utilizzo della spatola per pasticceria**

- Non utilizzare la velocità elevata, poiché per ottimizzare la performance d'incorporazione occorre la velocità bassa.
- L'accessorio non è stato concepito per essere utilizzato con ingredienti caldi, lasciare sempre raffreddare gli ingredienti prima di utilizzare la spatola per pasticceria.
- Per risultati ottimali, non lavorare eccessivamente gli albumi o la panna – la spatola per pasticceria non sarà in grado di mescolare correttamente se la miscela è troppo densa.
- Non mescolare troppo a lungo, per evitare di eliminare l'aria dalla miscela rendendola troppo slegata. Fermarsi non appena la miscela è sufficientemente incorporata.
- Gli ingredienti non mescolati o che restano sulle pale o sui lati del recipiente devono essere incorporati con cura usando una spatola.

## **punti da ricordare nella preparazione del pane**

- Non superare mai le capacità massime riportate di seguito, per non sovraccaricare l'apparecchio.
- Se l'apparecchio funziona con difficoltà, togliere metà dell'impasto dalla ciotola e lavorare gli ingredienti in due volte.
- Gli ingredienti si mescolano meglio se si versa prima il liquido.
- Di tanto in tanto fermare l'apparecchio e pulire il gancio impastatore dall'impasto.
- Partite di farina diverse richiedono quantità di liquido notevolmente diverse e la viscosità dell'impasto può avere effetti marcati sul carico imposto all'apparecchio. Si consiglia di tenere l'apparecchio sotto controllo mentre prepara l'impasto.

## il mixer

tabella velocità consigliate e delle capacità massime				
La tabella è da considerarsi solo una guida, velocità e capacità dipendono dalla quantità dell'impasto nella ciotola e dagli ingredienti utilizzati.				
utensile/ accessorio	ricetta	velocità massima	tempo massima	capacità massima
Frusta a filo	Albumi	massima	3 min	2-12 (455 g)
	Panna		2 – 3 min	1 litro
Frusta K	Impasti pronti per torte	massima	2 min	2 kg peso complessivo Impasto con 10 uova
	Amalgamare burro e farina  Aggiungere acqua per legare gli ingredienti dell'impasto	Da minima a 2  minima	2 – 3 min  30 sec	680 g di farina
Frusta flessibile	Torta di uvetta e canditi			2.72 kg complessivo Impasto con 9 uova
	Battitura grassi e zucchero	massima	1½ – 3½ min	
	Aggiunta di uova	massima	1 – 2 min	
	Aggiunta graduale di farina, frutta, ecc.	Da minima a 1	30 sec – 1 min	
Gancio impastatore	Impasto per pane (a pasta dura)	Da minima a 1	5 min	1,35 kg di farina 2,17 kg peso complessivo

\*Uova = di dimensioni medie (Peso 53-63 g)

# il mixer

tabella delle quantità raccomandate - spatola per pasticceria							
Tipo di ricetta	Accessorio	Ingredienti	Qtà Min.	Qtà Max.	Velocità raccomandata	Durata approssimativa per l'incorporazione tranne laddove, indicato)	Suggerimenti e consigli
Torta Genoise/ Pan di Spagna	Frusta	Uova	3	9	Max	4 - 5 min.	Sbattere le uova e lo zucchero insieme fino a quando si forma una miscela spessa, chiara e cremosa.
	Spatola per pasticceria	Farina	85g	250g	Funzione Spatola	2 - 8 min.	Per aggiungere la farina, metterla su un foglio di carta da forno, piegare i lati e formare un beccuccio. Aggiungere gradualmente la farina alla miscela utilizzando la funzione Spatola. Quest'operazione può durare fino a 8 minuti, quindi occorre portare pazienza e attendere fino a quando tutta l'ultima aggiunta di farina sarà stata incorporata, prima di aggiungerne dell'altra.
		Miscela totale	350g	1kg			
Soufflé	Frusta	Eier	2	6	Max	1 min.	Sbattere un quarto degli albumi montati a neve a velocità 3, prima di aggiungere la parte restante.
	Spatola per pasticceria	Miscela totale	300g	900g	Funzione Spatola	1 min.	
Mousse a base frutta	Frusta	Panna	125ml	600ml	Max	1 - 2 min. max	
	Spatola per pasticceria	Purea di frutta	80g	400g	Funzione Spatola	1 - 2 min.	
Mousse al cioccolato	Frusta	Miscela totale	600g	1,5kg	Max	2½ min.	Aggiungere il cioccolato sciolto alla miscela e incorporarlo tutto in una volta. Aggiungere gli albumi un poco per volta.
	Spatola per pasticceria				Funzione Spatola		
Macaroon	Frusta	Miscela totale	400g	900g	Max	1 min.	
	Spatola per pasticceria				Funzione Spatola		

\* Le informazioni di cui sopra sono solo un suggerimento e variano in base alla ricetta esatta e agli ingredienti lavorati.

Dimensione delle uova utilizzate nella tabella = medie (53g - 63g).

# come montare ed usare il paraschizzi

- 1 Sollevare la testa della macchina finché non si blocca.
  - 2 Montare la ciotola sulla base.
  - 3 Spingere il paraschizzi all'interno della parte inferiore della testa della macchina **6** in modo da inserirlo completamente. La sezione incernierata deve essere posizionata come indicato.
  - 4 Inserire l'utensile desiderato.
  - 5 Abbassare la testa della macchina.
- Mentre si miscela è possibile aggiungere gli ingredienti direttamente nella ciotola, dalla sezione incernierata del paraschizzi **7**.
  - Non occorre togliere il paraschizzi per cambiare gli utensili.
- 6 Per togliere il paraschizzi, sollevare la testa della macchina e spostarlo verso il basso.

## regolazione dei ganci di miscelazione

### **Frusta K, Frusta a filo, Frusta flessibile e spatola per pasticceria**

Gli utensili di miscelazione sono impostati da produzione all'altezza corretta per la ciotola fornita in dotazione e non dovrebbero richiedere alcuna regolazione.

Tuttavia, se si desidera regolare l'utensile, utilizzare un'apposita chiave da 15mm:

Seguire poi le istruzioni seguenti:

- 1 Scollegare la spina del cavo elettrico dalla presa di corrente.
- 2 Abbassare la testa della macchina e inserire la frusta a filo o la frusta K.
- 3 Abbassare la testa della macchina. Se occorre regolare il gioco, sollevare la testa della macchina ed estrarre l'utensile. La frusta a filo, la frusta K e la spatola per pasticceria dovrebbero idealmente **quasi** toccare il fondo della ciotola **8**.

#### **frusta flessibile**

- Questa teoricamente dovrebbe essere in contatto con la superficie della ciotola in modo da spazzolarla leggermente

- durante il funzionamento **13**.
- 4 Con una chiave inglese idonea, allentare il dado a sufficienza per consentire la regolazione dell'alberino **9** o **14**. Per abbassare l'utensile in modo da avvicinarlo al fondo della ciotola, ruotare l'alberino in senso antiorario. Per allontanare l'utensile dal fondo della ciotola, ruotare l'alberino in senso orario.
  - 5 Serrare nuovamente il dado.
  - 6 Montare l'accessorio sulla macchina e abbassare la testa della macchina. (Controllarne la posizione, facendo riferimento ai punti precedenti).
  - 7 Ripetere i passi precedenti come necessario sino al corretto posizionamento dell'accessorio. Una volta ottenuto il corretto posizionamento, stringere il dado.
- **Nota: La chiave inglese è indicata soltanto a scopo illustrativo.**

#### **Gancio impastatore**

Questo utensile è impostato da produzione e non dovrebbe richiedere alcuna regolazione.



# Guida alla risoluzione dei problemi

Problema	Causa	Soluzione
<p>La frusta a filo o la frusta K sbatte contro il fondo della ciotola o non raggiunge gli ingredienti sul fondo della ciotola.</p>	<p>L'accessorio è posizionato ad un'altezza sbagliata che deve essere regolata.</p>	<p>Regolare l'altezza con una chiave inglese idonea, fare riferimento alla sezione "Regolazione dei ganci di miscelazione".</p>
<p>La 'spia di mixer pronto' lampeggia non appena si inserisce la spina della Kitchen Machine nella presa di corrente.</p>	<p>Il controllo della velocità non è nella posizione 'O'.</p>	<p>Verificare e ruotare il controllo della velocità nella posizione 'O'.</p>
<p>La Kitchen Machine si arresta durante il funzionamento. La 'spia di mixer pronto' lampeggia rapidamente.</p>	<p>Attivazione della protezione da sovraccarico o surriscaldamento del sistema. Quantità massima superata.</p>	<p>Scollegare il cavo elettrico e verificare che non vi siano ostruzioni o surriscaldamento. Ruotare il controllo della velocità sulla posizione 'O' e riaccendere la macchina. Se la macchina non funziona, rimuovere parte degli ingredienti per ridurre il carico e riaccenderla. Se il problema persiste, scollegare il cavo elettrico e lasciare riposare la macchina per 15 minuti. Inserire la spina nella presa di corrente e selezionare nuovamente la velocità. Se la macchina non si riavvia dopo aver seguito la procedura indicata in precedenza, contattare il "Servizio Assistenza Clienti" per richiedere ulteriore assistenza.</p>
<p>La 'spia di mixer pronto' lampeggia lentamente mentre la spina della macchina è inserita nella presa di corrente.</p>	<p>La Kitchen Machine è stata collegata per oltre 30 minuti senza funzionare per cui è entrata in modalità Stand-by.</p>	<p>Ruotare il selettore di velocità sulla posizione 'minimo' e poi su 'spento' per reimpostare l'apparecchio.</p>

# pulizia e manutenzione

## **cura e pulizia**

- Prima delle operazioni di pulizia bisogna sempre spegnere l'apparecchio e togliere la spina dalla presa elettrica.

### **corpo motore e copri attacco**

- Pulire con un panno umido e asciugare.
- Non usare mai prodotti abrasivi né immergere queste parti in acqua.
- Riporre il cavo elettrico nel vano raccogli cavo ⑩, sul retro della macchina.

### **ciotola di acciaio inossidabile**

- Lavare a mano e asciugarla completamente o lavarla in lavastoviglie.
- Non usare mai una spazzola metallica, lana d'acciaio o candeggina per pulire la ciotola in acciaio inossidabile. Per rimuovere il calcare, usare aceto.
- Tenere lontano da fonti di calore (fuochi, forni, microonde).

### **utensili e paraschizzi**

- Lavare a mano e asciugare completamente o lavare in lavastoviglie.

### **frusta flessibile**

- Rimuovere sempre la frusta piatta flessibile dall'apparecchio prima di pulire ⑮.
- Lavare la frusta piatta flessibile e l'utensile in acqua calda e sapone e asciugare accuratamente. I componenti possono anche essere lavati in lavastoviglie.

Nota: controllare le condizioni del corpo dell'apparecchio prima e dopo l'uso e ispezionare regolarmente lo stato della frusta piatta e sostituirla in caso di segni di usura.

### **ciotola di vetro**

- Lavare la ciotola con acqua calda e detersivo e asciugare con cura.
- La ciotola può anche essere lavata in lavastoviglie.
- Nota: La ghiera alla base della ciotola può essere smontata e lavata allo stesso modo. Per smontare la ghiera, rovesciare la ciotola e svitare la ghiera con un movimento antiorario.

# manutenzione e assistenza tecnica

- In caso di qualsiasi problema relativo al funzionamento dell'apparecchio, prima di contattare il servizio assistenza si consiglia di consultare la sezione "guida alla risoluzione problemi", o di visitare il sito [www.kenwoodworld.com](http://www.kenwoodworld.com).
- NB L'apparecchio è coperto da garanzia, nel rispetto di tutte le disposizioni di legge relative a garanzie preesistenti e ai diritti dei consumatori vigenti nel Paese ove l'apparecchio è stato acquistato.
- In caso di guasto o cattivo funzionamento di un apparecchio Kenwood, si prega di inviare o consegnare di persona l'apparecchio a uno dei centri assistenza KENWOOD. Per individuare il centro assistenza KENWOOD più vicino, visitare il sito [www.kenwoodworld.com](http://www.kenwoodworld.com) o il sito specifico del Paese di residenza.
- Disegnato e progettato da Kenwood nel Regno Unito.
- Prodotto in Cina.



## **IMPORTANTI AVVERTENZE PER IL CORRETTO SMALTIMENTO DEL PRODOTTO AI SENSI DELLA DIRETTIVA EUROPEA SUI RIFIUTI DI APPARECCHIATURE ELETTRICHE ED ELETTRONICHE (RAEE)**

Alla fine della sua vita utile il prodotto non deve essere smaltito insieme ai rifiuti urbani.

Deve essere consegnato presso gli appositi centri di raccolta differenziata predisposti dalle amministrazioni comunali, oppure presso i rivenditori che offrono questo servizio.

Smaltire separatamente un elettrodomestico consente di evitare possibili conseguenze negative per l'ambiente e per la salute derivanti da un suo smaltimento inadeguato e permette di recuperare i materiali di cui è composto al fine di ottenere notevoli risparmi in termini di energia e di risorse.

Per rimarcare l'obbligo di smaltire separatamente gli elettrodomestici, sul prodotto è riportato il simbolo del bidone a rotelle barrato.

## conheça a sua máquina de cozinha Kenwood

### **segurança**

- Leia atentamente estas instruções e guarde-as para consulta futura.
- Retire todas as embalagens e eventuais etiquetas.
- Se a ficha ou o cabo eléctrico estiver danificado, por razões de segurança deve ser substituído pela Kenwood ou por um reparador Kenwood autorizado para evitar qualquer perigo.
- Desligue a máquina antes de instalar ou retirar acessórios, após a utilização ou antes de a limpar.
- Mantenha os dedos afastados das peças móveis e dos acessórios montados.
- Nunca deixe o aparelho a funcionar sem vigilância.
- Nunca utilize uma máquina danificada. Mande-a inspeccionar ou reparar; consulte a secção 'assistência e cuidados do cliente'.
- Nunca deixe o cabo pendurado de forma a que uma criança o possa agarrar.
- Nunca deixe a unidade base, o cabo ou a ficha apanharem água.
- Nunca utilize acessórios não autorizados ou ambas as saídas ao mesmo tempo.
- Nunca exceda as capacidades máximas indicadas.
- Ao utilizar um acessório, leia as instruções de segurança que o acompanham.
- Tenha cuidado quando remover os acessórios da taça depois de utilizar durante algum tempo porque poderão estar quentes.
- Este aparelho é pesado, tenha cuidado quando o levantar. Confirme que a cabeça do aparelho está segura e que a taça, acessórios, tampa da saída e cabo também, antes de levantar o aparelho.

- Quando deslocar o aparelho segure-o sempre pela base do pedestal e pela cabeça da batedeira. NÃO levante ou transporte o aparelho pelas pegas da taça.
- Não mexa ou levante a cabeça da batedeira com um acessório colocado uma vez a sua Máquina de Cozinha pode ficar instável.
- Não opere a sua máquina perto da beira da bancada de trabalho.
- Este electrodoméstico não pode ser usado por crianças. Mantenha o electrodoméstico e o respectivo fio eléctrico fora do alcance de crianças.
- As crianças devem ser vigiadas para garantir que não brincam com o electrodoméstico.
- O uso inapropriado do seu electrodoméstico pode resultar em ferimentos.
- Os electrodomésticos podem ser utilizados por pessoas com capacidades mentais, sensoriais ou físicas reduzidas, ou com falta de experiência ou conhecimento, se forem supervisionadas ou instruídas sobre o uso do electrodoméstico de forma segura e se compreenderem os riscos envolvidos.
- Use o aparelho apenas para o fim doméstico a que se destina. A Kenwood não se responsabiliza caso o aparelho seja utilizado de forma inadequada, ou caso estas instruções não sejam respeitadas.

### **Taça de vidro**

- **Antes de utilizar assegure-se de que os utensílios da taça estão ajustados na altura correcta e de que não estão em contacto com o fundo da taça - consulte a secção “ajustar o utensílio”.**
- Para evitar danificar a taça de vidro, não a deixe entrar em contacto com fontes de calor intensas como os discos do fogão ou o forno.
- A taça de vidro pode ir ao microondas.

## Cuidados especiais com a sua taça

O vidro é um material natural e foram tomados todos os cuidados durante o processo de fabrico para assegurar um aspecto perfeito, contudo podem ser visíveis pequenas imperfeições que são normais e que de maneira alguma afectam o desempenho da taça.

### antes de ligar à corrente

- Certifique-se de que a corrente eléctrica que vai utilizar corresponde à indicada na parte de baixo da máquina.
- **AVISO: ESTE APARELHO DEVE SER LIGADO A UMA TOMADA COM LIGAÇÃO À TERRA.**

- Este aparelho está conforme com a Directiva n.º 1935/2004 da Comunidade Europeia sobre materiais concebidos para estarem em contacto com alimentos.

### antes de utilizar pela primeira vez

- Lave todos os componentes: ver a secção “cuidados e limpeza”.

## a batedeira

### Legenda

- ① cabeça da batedeira
- ② saída para acessório
- ③ tampa da saída
- ④ encaixe para acessórios
- ⑤ taça
  - a aço inoxidável (se fornecido)
  - b vidro (se fornecido)
- ⑥ controlo de velocidade e on/off
- ⑦ luz indicadora de batedeira pronta a utilizar
- ⑧ corpo da batedeira
- ⑨ alavanca de libertação da cabeça
- ⑩ armazenamento do cabo eléctrico
- ⑪ varinha K
- ⑫ batedor de varetas
- ⑬ batedor de gancho em espiral
- ⑭ varinha batedora (se fornecido)
- ⑮ acessório para envolver (se fornecido)
- ⑯ espátula
- ⑰ resguardo anti-salpicos

### acessórios de misturar e algumas das suas funções

#### varinha K

- Para fazer bolos, biscoitos, massa, glacê, recheios, éclairs e puré de batata.

#### batedor de varetas

- Para bater ovos, natas, massa para crepes, pão-de-ló sem gordura, suspiros, cheesecakes, mousses, soufflés. Não utilize o batedor de varetas para misturas pesadas (ex. bater natas gordas e açúcar) – pode danificá-lo.

#### batedor de gancho

- Apenas para misturas com fermento de padeiro.

#### acessório para envolver

- O acessório para envolver foi concebido para envolver ingredientes leves em misturas pesadas como por exemplo, suspiros, mousses, doces de frutos com natas batidas, Pão-de-ló, soufflés

# a batedeira

e misturar farinha em preparados para bolos. Não deve ser usado em receitas pesadas como massa para pão, bater gordura com açúcar ou pré-preparados para bolos.

## varinha batidora

- A varinha batidora é ideal para bater e misturar ingredientes macios. Não utilize em receitas cujos ingredientes sejam demasiado consistentes como massa de pão ou ingredientes duros como os que contêm caroços, ossos ou conchas.

## colocar a lâmina da varinha batidora

- A lâmina da varinha é fornecida já montada e deve ser sempre retirada quando limpar 15.
- 1 Coloque com cuidado a lâmina flexível da varinha na ferramenta, encaixando a base da lâmina no encaixe 10, em seguida encaixe um lado na ranhura antes de cuidadosamente prender até ao final da ferramenta 11. Repita o mesmo processo do outro lado 12.

## como utilizar a sua batedeira

- 1 Levante a alavanca de libertação da cabeça 9 na traseira da sua máquina de cozinha 1 e ao mesmo tempo levante a cabeça 1 até que fique segura na posição levantada 2.
- 2 Coloque o utensílio desejado no encaixe para os acessórios. Depois empurre-o para cima 3 e rode-o 4 para o fixar.
- 3 Coloque a taça na base. Coloque a pega directamente por cima do símbolo “aberto” 6, gire com cuidado a taça no sentido dos ponteiros do relógio até que a pega esteja directamente por cima do símbolo “fechado” 7. NÃO UTILIZE

força excessiva e NÃO APERTE em demasia 5.

- 4 Levante a alavanca de libertação da cabeça 9 na traseira da máquina de cozinha ao mesmo tempo que baixa a cabeça da batedeira 1.
- 5 Ligue à tomada de corrente e a “luz indicadora de batedeira pronta a utilizar” acender-se-á.
- 6 Ponha a funcionar, rodando o controlo de velocidade para a posição desejada.
- 7 Liberte o utensílio rodando-o na direcção dos ponteiros do relógio para o desengatar e depois retire-o.

## importante

- Se levantar a cabeça da batedeira enquanto a máquina está a trabalhar, esta pára imediatamente. Para a batedeira recomeçar a funcionar, baixe a cabeça da batedeira, rode o botão de velocidade para a posição “O” (OFF), espere alguns segundos e depois volte a seleccionar uma velocidade. A batedeira deve recomeçar a trabalhar imediatamente.
- Sempre que a cabeça da batedeira for levantada a “luz indicadora de batedeira pronta a utilizar” apaga-se. Quando baixa a cabeça da batedeira, a luz acende-se indicando que a batedeira está pronta a utilizar.

## sugestões

- A função de envolver 8 pode ser usada para envolver ingredientes leves em misturas pesadas como por exemplo, suspiros, mousses, doces de frutos com natas batidas, Pão-de-ló, soufflés e para misturar farinha e fruta em preparados para bolos. A batedeira vai funcionar a uma velocidade baixa constante.

# a batedeira

- Para incorporar totalmente todos os ingredientes pare a máquina e rape para baixo com a espátula os lados da taça.
- É preferível que os ovos para bater estejam à temperatura ambiente.
- Antes de bater as claras de ovo, certifique-se de que não há gordura ou gema de ovo no batedor de varetas ou na taça.
- Utilize ingredientes frios para massa de pasteleria, a não ser que a receita indique algo em contrário.
- Ao misturar manteiga e açúcar para receitas de bolos, utilize sempre manteiga à temperatura ambiente ou amoleça-a primeiro.
- A sua máquina de cozinha foi idealizada com um “início suave” de funcionamento para minimizar os salpicos. Contudo, se a batedeira foi iniciada com um preparado pesado, como por exemplo massa de pão, a batedeira levará alguns segundo até atingir a velocidade seleccionada.

## **controlo do sensor electrónico de velocidade**

A sua batedeira está equipada com um sensor electrónico de velocidade, concebido para manter a velocidade com cargas diversas, tal como ao bater massa para pão ou adicionar ovos a massa de bolos. Poderá portanto ouvir alguma variação na velocidade durante a operação pois a batedeira ajusta-se à carga e à velocidade seleccionada, o que é normal.

## **pontos importantes sobre como usar o acessório para envolver**

- Não utilize uma velocidade alta uma vez que é indispensável utilizar uma velocidade baixa para obter um resultado óptimo quando envolver os ingredientes.
- Este acessório NÃO deve ser utilizado com ingredientes quentes, por isso deixe-os arrefecer antes de utilizar o acessório para envolver
- Para obter melhores resultados não bata previamente demasiado as claras em castelo ou natas – o acessório para envolver não será capaz de as misturar correctamente se estiverem demasiado firmes.
- Não envolva a mistura demasiado tempo uma vez que o ar será expelido e a mistura ficará demasiado solta. Pare logo que a mistura esteja suficientemente incorporada.
- Os ingredientes não envolvidos porque ficaram agarrados ao acessório ou aos lados da taça devem ser cuidadosamente envolvidos com uma espátula.

## **pontos importantes sobre fazer pão**

- Nunca exceda as capacidades máximas – poderá sobrecarregar a máquina.
- Se sentir que a batedeira está a funcionar com dificuldade, desligue o botão, remova metade do preparado e bata-o em separadamente em metades.
- Os ingredientes misturarão melhor se introduzir primeiro o líquido.



## a batedeira

- De vez em quando, pare a máquina e rape a massa do batedor de gancho.
- Lotes diferentes de farinha variam consideravelmente a quantidade de líquido necessário e a consistência

da massa tem efeito sobre o funcionamento e a carga da máquina. Por isso aconselhamos que mantenha a máquina sob vigilância sempre que preparar massa de pão.

quadro de velocidades e quantidades recomendadas				
Estes valores são apenas indicativos e variarão de acordo com a quantidade da mistura na taça e dos ingredientes.				
utensílio/ acessório	tipo de receita	velocidade	tempo máximo	quantidades máximas
Batedor de varetas	Claras de ovos	Max	3 min.	2 a 12 (455 g)
	Bater natas		2 - 3 min.	1 litro
Varinha	Preparados completos para bolos	Max	2 min.	2 kg de peso total Mistura com 10 ovos
	Envolver gordura em farinha	Min a Velocidade 2	2 - 3 min.	680 g de farinha
	Adicionar água para misturar ingredientes de pastelaria	Min.	30 seg.	
Varinha batedora	Bolo de fruta			2,72 Kg de peso total Mistura com 9 ovos
	Bater natas ou gordura com açúcar	Max	1½ – 3½ min.	
	Adicionar ovos	Max	1 - 2 min.	
	Incorporar a farinha, frutos, etc.	Min. a velocidade 1	30 seg. - 1 min.	
Batedor de gancho	Massa para pão (levedura dura (seca))	Min. a velocidade 1	5 min.	1,35 kg de farinha 2,17 kg de peso total

\* Tamanho dos ovos usados = Classe M (Peso 53 g – 63 g)

# a batedeira

quadro de quantidades recomendadas – acessório para envolver							
Tipo de receita	Utensílio	Ingredientes	Qt. Min.	Qt. Máx.	Velocidade Recomendada	Tempo Aprox. (para a fase de envolver)	Dicas e Sugestões
Pão-de-ló/ Massa esponjosa	Batedor de varetas	Ovos	3	9	Max	4 - 5 min.	Bata os ovos com o açúcar até a mistura ficar muito clara, pegajosa e cremosa.
	Acessório para Envolver	Farinha	85 g	250 g	Função de Envolver	2 - 8 min.	Quando adicionar a farinha, coloque-a numa folha de papel à prova de gordura, segure-a dos dois lados para formar uma espécie de tubo. Gradualmente adicione a farinha à mistura usando a função de envolver. Esta etapa pode demorar até 8 minutos, por isso deve ser paciente e esperar até que a última farinha esteja bem incorporada antes de poder adicionar mais.
Peso total da mistura		350 g	1 kg				
Soufflés	Batedor de varetas	Ovos	2	6	Max	1 min.	Incorpore batendo um quarto das claras de ovos já batidas à velocidade 3 antes de envolver as restantes claras de ovos.
	Acessório para Envolver	Peso total da mistura	300 g	900 g	Função de Envolver	1 min.	
Doces de frutos	Batedor de varetas	Bater natas	125 ml	600 ml	Max	1 – 2 min. Max	
	Acessório para Envolver	Puré de Frutos	80 g	400 g	Função de Envolver	1 – 2 min.	
Mousse de Chocolate	Batedor de varetas	Peso total da mistura	600 g	1,5 kg	Max	2½ min.	Adicione o chocolate derretido à mistura e envolva de uma só vez. Envolve as claras de ovos um pouco de cada vez.
	Acessório para Envolver				Função de Envolver		
Macarons	Batedor de varetas	Peso total da mistura	400 g	900 g	Max	1 min.	
	Acessório para Envolver				Função de Envolver		

\* As informações acima são apenas indicativas e variarão de acordo com a respectiva receita e os ingredientes utilizados.

Tamanho dos ovos usados no quadro = Classe M (53 g – 63 g).

# como instalar e utilizar o resguardo anti-salpicos

- 1 Eleve a cabeça da batedeira até esta prender.
  - 2 Coloque a taça na base.
  - 3 Instale o resguardo anti-salpicos, empurrando-o até estar bem encaixado na parte inferior da cabeça da batedeira **6**. A secção articulada deve ser posicionada tal como ilustrado.
  - 4 Introduza o acessório pretendido.
  - 5 Baixe a cabeça da batedeira.
- Durante a mistura, os ingredientes podem ser adicionados directamente à taça através da secção articulada do resguardo anti-salpicos **7**.
  - Não é preciso retirar o resguardo anti-salpicos ao trocar os acessórios.
- 6 Retire o resguardo anti-salpicos elevando a cabeça da batedeira e puxando-o levemente para baixo.

## ajustar o utensílio

### Varinha K, Batedor de varetas, Varinha batedora e Acessório para envolver

A altura dos utensílios na taça são regulados na fábrica para que não sejam necessários ajustes.

Contudo, se deseja ajustar o utensílio, use uma chave de bocas adequada de 15mm:

Depois siga as instruções seguintes:

- 1 Desligue o aparelho da corrente.
  - 2 Levante a cabeça da batedeira e insira o batedor de varetas ou a varinha.
  - 3 Baixe a cabeça da batedeira. Se a folga precisar de ser reajustada, levante a cabeça da batedeira e remova o utensílio. O ideal é que o batedor de varetas ou a varinha K ou o acessório para envolver **quase** toque o fundo da taça **8**.
- varinha batedora**
- A melhor posição é quando está ligeiramente em contacto com a base da taça para poder limpar bem o fundo durante o processo de mistura **13**.
- 4 Utilizando uma chave de bocas de tamanho correcto, liberte um pouco a porca para reajustar suficientemente o eixo **9** ou **14**. Para baixar o utensílio mais para o fundo da taça, gire o eixo na direcção contrária à dos ponteiros do relógio. Para levantar o utensílio para que este não toque no fundo da taça, gire o eixo na direcção dos ponteiros do relógio.
  - 5 Volte a apertar a porca.
  - 6 Coloque o utensílio na batedeira e baixe a cabeça desta. (Confirme a posição, ver o ponto acima).
  - 7 Repita, se necessário, os passos anteriores até que o acessório esteja na posição correcta. Uma vez conseguida a posição correcta, aperte a porca de forma segura.
- **Nota: A chave de bocas mostrada na imagem é apenas para fins ilustrativos.**
- Batedor de gancho**
- Este utensílio é fixo de fábrica e não deve precisar de ajuste.

# guia de avarias

<b>Problema</b>	<b>Causa</b>	<b>Solução</b>
O batedor de varetas ou a varinha k toca no fundo da taça ou não chega aos ingredientes do fundo da taça.	O utensílio não está à altura correcta e precisa de ser ajustado.	Ajuste a altura do utensílio usando uma chave de bocas de tamanho correcto – ver a secção “Ajuste do Utensílio”.
A “luz indicadora de batedeira pronta a utilizar” pisca quando a Máquina de Cozinha é ligada pela primeira vez à corrente eléctrica.	O controlo de velocidade não está na posição “O”.	Coloque o controlo de velocidade na posição “O”.
A Máquina de cozinha pára durante o funcionamento. A “luz indicadora de batedeira pronta a utilizar” pisca rapidamente.	Foi activado o sistema de protecção de sobrecarga ou de sobreaquecimento. Excedida a capacidade máxima.	Desligue da corrente eléctrica e confira que não há obstrução ou sobrecarga. Rode o controlo de velocidade para a posição “O” e recomece. Se a máquina não começar a funcionar, remova parte dos ingredientes da taça para reduzir a carga e recomece. Se isto não resolver o problema, desligue da corrente e espere 15 minutos. Ligue novamente à corrente e volte a seleccionar a velocidade. Se mesmo assim a máquina não recomeçar a trabalhar, contacte o “Cuidados ao Cliente” da Kenwood para mais conselhos.
A “luz indicadora de batedeira pronta a utilizar” pisca lentamente quando a Máquina de Cozinha é ligada à corrente eléctrica.	A Máquina de Cozinha esteve ligada à corrente mais de 30 minutos sem ser posta a funcionar e entrou em modo de espera.	Rode o controlo de velocidade para o “min” e depois para o “O” para reiniciar a máquina.

# limpeza e assistência técnica

## **cuidados e limpeza**

- Desligue sempre no interruptor e retire a ficha da tomada antes de limpar o aparelho.

### **unidade motriz e tampa da saída**

- Limpe com um pano húmido e seque em seguida.
- Nunca submerja em água ou use abrasivos.
- Guarde o fio em excesso no compartimento de armazenagem ⑩ na traseira da máquina.

### **taça em aço inoxidável**

- Lave à mão e depois seque ou lave na máquina da loiça.
- Nunca use uma escova metálica, esfregão de aço ou lixívia para limpar a sua taça de aço inoxidável. Utilize vinagre para remover o calcário.
- Mantenha-a afastada de fontes de calor (discos do fogão, forno, microondas).

### **utensílios e resguardo anti - salpicos**

- Lave à mão e depois seque ou lave na máquina da loiça.

### **varinha batedora**

- Remova sempre a lâmina flexível da varinha da ferramenta antes de limpar ⑮.
- Lave a lâmina flexível da varinha e a ferramenta em água quente com sabão e seque. Em alternativa, estes acessórios podem ser lavados na máquina de lavar loiça.

Nota: Inspeccione regularmente o estado de conservação do acessório antes e depois de utilizar e inspeccione regularmente o estado de conservação da lâmina da varinha e substitua-a se existirem quaisquer sinais de uso.

### **taça de vidro**

- Lave a taça em água e sabão e seque cuidadosamente.
- Em alternativa pode lavar a taça na máquina de lavar-loiça.
- Nota: O anel da base da taça pode ser retirado e lavado da mesma forma. Para remover o anel, vire ao contrário a taça vazia e desaperte o anel na direcção contrária aos ponteiros do relógio.

## assistência e cuidados do cliente

- Se tiver qualquer problema ao utilizar o seu aparelho, antes de telefonar para a Assistência consulte a secção “guia de avarias” do Manual ou visite o site da Kenwood em [www.kenwoodworld.com](http://www.kenwoodworld.com).
- Salientamos que o seu produto está abrangido por uma garantia, em total conformidade com todas as disposições legais relativas a quaisquer disposições sobre garantias e com os direitos do consumidor existentes no país onde o produto foi adquirido.
- Se o seu produto Kenwood funcionar mal ou lhe encontrar algum defeito, agradecemos que o envie ou entregue num Centro de Assistência Kenwood autorizado. Para encontrar informações actualizadas sobre o Centro de Assistência Kenwood autorizado mais próximo de si, visite por favor o site [www.kenwoodworld.com](http://www.kenwoodworld.com) ou o website específico do seu país.
- Concebido e projectado no Reino Unido pela Kenwood.
- Fabricado na China.



### **ADVERTÊNCIAS PARA A ELIMINAÇÃO CORRECTA DO PRODUTO NOS TERMOS DA DIRECTIVA EUROPEIA RELATIVA AOS RESÍDUOS DE EQUIPAMENTOS ELÉCTRICOS E ELECTRÓNICOS (REEE)**

No final da sua vida útil, o produto não deve ser eliminado conjuntamente com os resíduos urbanos.

Pode ser depositado nos centros especializados de recolha diferenciada das autoridades locais, ou junto dos revendedores que prestem esse serviço. Eliminar separadamente um electrodomésticos permite evitar as possíveis consequências negativas para o ambiente e para a saúde pública resultantes da sua eliminação inadequada, além de permitir reciclar os materiais componentes, para, assim se obter uma importante economia de energia e de recursos. Para assinalar a obrigação de eliminar os electrodomésticos separadamente, o produto apresenta a marca de um contentor de lixo com uma cruz por cima.

## conozca su robot de cocina de Kenwood

### **seguridad**

- Lea estas instrucciones atentamente y guárdelas para poder utilizarlas en el futuro.
- Quite todo el embalaje y las etiquetas.
- Si el enchufe o el cable están dañados, por razones de seguridad, deben ser sustituidos por Kenwood o por un técnico autorizado por Kenwood para evitar posibles riesgos.
- Apague y desenchufe el aparato antes de colocar o quitar piezas/accesorios, después de usarlo y antes de limpiarlo.
- Mantenga los dedos lejos de las partes móviles y de los accesorios fijos.
- Nunca deje el robot de cocina desatendido cuando esté en funcionamiento.
- Nunca utilice un aparato dañado. Que lo revisen o arreglen: vea 'servicio técnico y atención al cliente'.
- Nunca deje que el cable de alimentación eléctrica cuelgue de un lugar donde un niño pudiera cogerlo.
- Nunca permita que se mojen el bloque motor, el cable o el enchufe.
- Nunca utilice un accesorio no autorizado o las dos salidas al mismo tiempo.
- Nunca exceda las capacidades máximas indicadas.
- Cuando vaya a utilizar un accesorio, lea las instrucciones de seguridad adjuntas.
- Tenga cuidado al quitar utensilios del bol después de un uso prolongado ya que pueden calentarse.
- Tenga cuidado al levantar este aparato ya que pesa mucho. Asegúrese de que el cabezal esté bloqueado y de que el bol, los utensilios, la tapa de la salida y el cable estén fijos antes de levantarlo.
- Al mover el aparato, cójalo siempre por la base del pedestal y el cabezal de la mezcladora. NO levante ni transporte el aparato por el asa del bol.

- No mueva ni levante el cabezal de la mezcladora con un accesorio acoplado ya que ello podría afectar a la estabilidad del robot de cocina.
- No ponga el aparato en funcionamiento cerca del borde de una encimera.
- Este aparato no debe ser utilizado por niños. Mantenga el aparato y su cable fuera del alcance de los niños.
- Los niños deben ser vigilados para asegurarse de que no juegan con el aparato.
- El uso incorrecto de su aparato puede producir lesiones.
- Este aparato puede ser utilizado por personas con capacidades físicas, sensoriales o mentales disminuidas o con falta de experiencia o conocimientos si han recibido instrucciones o supervisión en relación con el uso del aparato de forma segura y si entienden los peligros que ello implica.
- Utilice este aparato únicamente para el uso doméstico al que está destinado. Kenwood no se hará cargo de responsabilidad alguna si el aparato se somete a un uso inadecuado o si no se siguen estas instrucciones.

### **Bol de cristal**

- **Antes de su uso, compruebe que los utensilios del bol estén ajustados a la altura correcta y no en contacto con el fondo del bol – consulte la sección “ajuste de los utensilios”.**
- Para evitar daños al bol de cristal, no deje que el bol entre en contacto con fuentes de calor fuerte como un horno o una placa de cocina.
- El bol de cristal es apto para microondas.

#### **Instrucciones especiales de cuidado**

El cristal es un material natural, y durante la fabricación de este bol se ha extremado el cuidado para garantizar un aspecto perfecto. Sin embargo, es posible que haya pequeñas imperfecciones visibles; esto es normal y totalmente previsible, pero el rendimiento del bol no se verá afectado.



## antes de enchufar el aparato

- Asegúrese de que el suministro de energía eléctrica sea el mismo que el que se muestra en la parte inferior del aparato.
- **ADVERTENCIA: ESTE APARATO DEBE CONECTARSE A TIERRA.**

## la mezcladora

### descripción del aparato

- ① cabezal de la mezcladora
- ② salida del accesorio
- ③ tapa de la salida
- ④ toma de los utensilios
- ⑤ bol
  - a acero inoxidable (si se incluye)
  - b cristal (si se incluye)
- ⑥ control de encendido/apagado y de velocidad
- ⑦ luz indicadora de mezcladora preparada
- ⑧ cuerpo de la mezcladora
- ⑨ palanca para soltar el cabezal
- ⑩ recogecables
- ⑪ batidor K
- ⑫ batidora de varillas
- ⑬ gancho de amasar en espiral
- ⑭ paleta batidora (si se incluye)
- ⑮ utensilio para incorporar ingredientes (si se incluye)
- ⑯ espátula
- ⑰ antisalpicaduras

### accesorios para mezclar ingredientes y algunos de sus usos

#### batidor K

- Para hacer tartas, galletas, pastelitos, glaseado, rellenos, pastelitos rellenos de crema y puré de patata.

- Este dispositivo cumple con el reglamento (CE) n.º 1935/2004 sobre los materiales y objetos destinados a entrar en contacto con alimentos.

### antes de utilizar el aparato por primera vez

- Lave las piezas: consulte la sección "cuidado y limpieza".

#### batidor de varillas

- Para huevos, crema, pasta para rebozar, bizcochos sin grasa, merengues, tartas de queso, mousses, suflés. No utilice el batidor de varillas para mezclas pesadas (por ejemplo, batir manteca y azúcar), ya que podría dañarlo.

#### gancho de amasar

- Solo para mezclas de levadura.

#### utensilio para incorporar ingredientes

- El utensilio para incorporar ingredientes está diseñado para incorporar ingredientes ligeros a mezclas más pesadas como, por ejemplo, merengues, mousses, purés de fruta con nata o crema, bizcochos, suflés, así como para incorporar harina a los preparados para tartas. No debe utilizarse con recetas pesadas como masa ni para batir mantequilla y azúcar ni preparados para tartas en un solo paso.

#### paleta batidora

- La paleta batidora está diseñada para batir y mezclar ingredientes blandos. No la utilice con recetas pesadas como masa o ingredientes duros, por ejemplo, los que contienen huesos de frutas, huesos o cáscaras.

# la mezcladora

## colocar la escobilla del limpiador

- La escobilla del limpiador se suministra ya colocada y debe quitarse siempre para limpiarla 15.
- 1 Acople con cuidado la escobilla del limpiador flexible en el utensilio colocando la base de la escobilla del limpiador dentro de la ranura 10, a continuación, coloque un lado en la abertura antes de enganchar el extremo cuidadosamente en su lugar 11. Repita la operación con el otro lado 12.

## uso de la mezcladora

- 1 Levante la palanca para soltar el cabezal 9 en la parte posterior del robot de cocina 1 y, al mismo tiempo, levante el cabezal 1 hasta que quede bloqueado en posición levantada 2.
- 2 Ponga el utensilio deseado en la toma. Luego empuje hacia arriba 3 y gire 4 el utensilio para fijarlo en su posición.
- 3 Acople el bol a la base. Coloque el asa directamente sobre el símbolo de desbloqueo 6, luego, gire el bol en el sentido de las agujas del reloj hasta que el asa esté directamente sobre el símbolo de bloqueo 7. NO HAGA una fuerza excesiva y NO apriete demasiado 5.
- 4 Levante la palanca para soltar el cabezal 9 en la parte posterior del robot de cocina y, al mismo tiempo, baje el cabezal de la mezcladora 1.
- 5 Enchufe el aparato a la toma de corriente y la “luz indicadora de mezcladora preparada” se iluminará.
- 6 Conecte el aparato girando el control de velocidad al ajuste deseado.
- 7 Suelte el utensilio girando en el sentido de las agujas del reloj para desbloquearlo de la toma de los utensilios y luego quítelo.

## importante

- Si el cabezal de la mezcladora se levanta mientras está en funcionamiento, el aparato se parará inmediatamente. Para volver a poner la mezcladora en marcha, baje el cabezal de la mezcladora, gire el control de velocidad hacia la posición “O”, espere unos pocos segundos y vuelva a seleccionar la velocidad. La mezcladora debe reanudar el funcionamiento enseguida.
- Siempre que el cabezal de la mezcladora esté levantado, la “luz indicadora de mezcladora preparada” se apagará. Cuando el cabezal esté bajado, la luz se encenderá para indicar que la mezcladora ya se puede utilizar.

## consejos

- La función de incorporación 8 se puede utilizar para incorporar ingredientes ligeros a mezclas más pesadas como, por ejemplo, merengues, mousses, purés de fruta con nata o crema, bizcochos y suflés, así como para incorporar lentamente harina y fruta a los preparados para tartas. La mezcladora funcionará a una velocidad lenta constante.
- Para incorporar completamente los ingredientes, detenga la mezcladora y limpie el bol con la espátula.
- Para batir huevos, es mejor que estén a temperatura ambiente.
- Antes de batir las claras de huevo, asegúrese de que no haya mantequilla ni yema de huevo en el batidor de varillas montar ni en el bol.
- Utilice ingredientes fríos para hacer hojaldre, a menos que se indique lo contrario en la receta.

# la mezcladora

- Al batir mantequilla y azúcar cuando haga mezclas para tartas, use siempre la mantequilla a temperatura ambiente o ablándela primero.
- Su robot de cocina está equipado con una función de “arranque suave” para minimizar los derrames. Sin embargo, si el aparato se conecta con una mezcla pesada en el bol como, por ejemplo, masa de pan, es posible que note que a la mezcladora le cuesta unos segundos alcanzar la velocidad seleccionada.

## **botón sensor de velocidad electrónico**

La mezcladora dispone de un botón sensor de velocidad electrónico diseñado para mantener la velocidad con distintas condiciones de carga, como al amasar masa de pan o al añadir huevos a un preparado para una tarta. Por lo tanto, es posible que perciba cierta variación en la velocidad durante la operación a medida que la mezcladora se adapta a la carga y a la velocidad seleccionada, lo cual es normal.

## **puntos importantes para usar el utensilio para incorporar ingredientes**

- No utilice una velocidad alta ya que se necesita una velocidad baja para optimizar el rendimiento del utensilio para incorporar ingredientes.
- El utensilio no está diseñado para mezclar ingredientes calientes; deje que los ingredientes se enfríen antes de usar el utensilio.
- Para obtener mejores resultados, no bata demasiado las claras de huevo o la nata ya que el utensilio para incorporar ingredientes no podrá remover la mezcla correctamente si la mezcla batida es demasiado consistente.
- No remueva la mezcla durante demasiado tiempo ya que se eliminará el aire y la mezcla quedará demasiado blanda. Deje de remover una vez que la mezcla esté suficientemente ligada.
- Cualquier ingrediente que quede sin mezclar en la paleta o en los lados del bol se debe incorporar poco a poco con una espátula.

## **puntos importantes para hacer pan**

- Nunca sobrepase las capacidades máximas, de lo contrario, sobrecargará el aparato.
- Si oye que el aparato se ahoga, desconecte, retire la mitad de la masa y haga cada mitad por separado.
- Los ingredientes se mezclan mejor si se vierte el líquido en primer lugar.
- Pare el aparato cada cierto tiempo y retire la mezcla del gancho para la masa.
- La cantidad de líquido que requieren los distintos lotes de harina varía de forma considerable, y lo pegajosa que sea la masa puede afectar de forma significativa a la carga a la que se someta el aparato. Le aconsejamos que vigile el aparato mientras la masa se esté mezclando.

# la mezcladora

tabla de velocidades recomendadas y capacidades máximas				
La siguiente información es solamente una guía y variará de acuerdo con la cantidad de mezcla en el bol y los ingredientes que se mezclen.				
<b>herramienta/ accesorio</b>	<b>tipo de receta</b>	<b>velocidad</b>	<b>tiempo máximo</b>	<b>capacidades máximas</b>
Batidor de varillas	Claras de huevo	Max	3 minutos	2-12 (455 g)
	Nata		2 – 3 minutos	1 litro
Batidor K	Preparados para tartas en un solo paso	Max	2 minutos	Peso total 2 kg Mezcla de 10 huevos
	Mezclar manteca con harina	Min a velocidad 2	2 – 3 minutos	680 g de harina
	Añadir agua para combinar ingredientes para masa para pasteles	Min	30 segundos	
Paleta batidora	Pastel de frutas			Peso total 2,72 kg Mezcla de 9 huevos
	Batir manteca y azúcar	Max	1½ – 3½ minutos	
	Añadir huevos	Max	1 – 2 minutos	
	Añadir harina, fruta, etc.	Mín a velocidad 1	30 segundos – 1 minutos	
Gancho de amasar	Masa de pan (con levadura dura)	Min a velocidad 1	5 minutos	Peso de la harina 1,35 kg Peso total 2,17 kg

\*Tamaños de los huevos utilizados = tamaño mediano (peso 53-63 g)

# la mezcladora

tabla de cantidades recomendadas – utensilio para incorporar ingredientes							
Tipo de receta	Utensilio	Ingredientes	Cant. mín.	Cant. máx.	Velocidad recomendada	Tempo aprox. (para la fase de incorporación, a menos que se indique otra cosa)	Consejos y sugerencias
Bizcocho/ Bizcocho esponjoso	Batidor de varillas	Huevos	3	9	Máx	4 - 5 minutos	Bata los huevos y el azúcar hasta que la mezcla resultante esté espesa, pálida y cremosa.
	Utensilio para incorporar ingredientes	Harina	85 g	250 g	Función de incorporación	2 - 8 minutos	Al añadir la harina, póngala sobre una hoja de papel manteca, doble el lado hacia adentro para formar un pico vertedor. Añada la harina a la mezcla poco a poco usando la función de incorporación. Esta operación puede costar hasta 8 minutos, tenga paciencia y espere hasta que la última adición de harina se haya incorporado a la mezcla antes de añadir más.
Mezcla total		350 g	1 kg				
Suflés	Batidor de varillas	Huevos	2	6	Máx	1 minuto	Añada una cuarta parte de las claras de huevo batidas a velocidad 3, sin dejar de batir, antes de añadir las claras de huevo restantes.
	Utensilio para incorporar ingredientes	Mezcla total	300 g	900 g	Función de incorporación	1 minuto	
Purés de fruta con nata o crema	Batidor de varillas	Nata	125 ml	600 ml	Máx	1 – 2 minutos Máx	
	Utensilio para incorporar ingredientes	Puré de fruta	80 g	400 g	Función de incorporación	1 – 2 minutos	
Mousse de chocolate	Batidor de varillas	Mezcla total	600 g	1,5 kg	Máx	2½ minutos	Añada el chocolate derretido a la mezcla y remuévalo todo de una sola vez. Añada las claras de huevo poco a poco.
	Utensilio para incorporar ingredientes				Función de incorporación		
Macarrones	Batidor de varillas	Mezcla total	400 g	900 g	Máx	1 minuto	
	Utensilio para incorporar ingredientes				Función de incorporación		

\* La información arriba mencionada es solo una orientación y variará dependiendo de la receta exacta y de los ingredientes que se procesen.

Tamaños de los huevos usados en la tabla = mediano (53 g – 63 g).

# para acoplar y usar el antisalpicaduras

- 1 Levante el cabezal de la mezcladora hasta que quede bloqueado.
  - 2 Coloque el bol en la base.
  - 3 Ponga el antisalpicaduras en la parte inferior del cabezal de la mezcladora ⑥ hasta que esté totalmente colocado. La parte de la bisagra se debe colocar como se muestra.
  - 4 Introduzca la herramienta que necesite.
  - 5 Baje el cabezal de la mezcladora.
- Mientras se mezcla, se pueden añadir ingredientes directamente al bol por la parte articulada del antisalpicaduras ⑦.
  - No es necesario quitar la tapa anti salpicaduras para cambiar de herramienta.
- 6 Para quitar el antisalpicaduras, levante el cabezal de la mezcladora y deslícelo hacia abajo.

## ajuste de los utensilios

### batidor K, batidor de varillas, paleta batidora y utensilio para incorporar ingredientes

Los utensilios se regulan a la altura correcta para el bol facilitado en la fábrica y no deberían necesitar ningún ajuste.

Sin embargo, si desea ajustar el utensilio, utilice una llave inglesa adecuada de 15 mm:

A continuación, siga las siguientes instrucciones:

- 1 Desenchufe el aparato.
  - 2 Levante el cabezal de la mezcladora e inserte el batidor de varillas o el batidor K.
  - 3 Baje el cabezal de la mezcladora. Si hay que ajustar el espacio libre, levante el cabezal de la mezcladora y quite el utensilio. Lo ideal sería que el batidor de varillas, el batidor K y el utensilio para incorporar ingredientes **casi** tocan el fondo del bol ⑧.
- #### paleta batidora
- Lo ideal sería que estuviera en contacto con la superficie del bol de manera que limpiara suavemente el bol durante el proceso de mezclado ⑬.
- 4 Con una llave inglesa adecuada, afloje la tuerca lo bastante como para permitir el ajuste del eje ⑨ o ⑭. Para bajar el utensilio más cerca del fondo del bol, gire el eje en sentido contrario a las agujas del reloj. Para subir el utensilio hacia arriba y alejarlo del fondo del bol, gire el eje en el sentido de las agujas del reloj.
  - 5 Vuelva a apretar la tuerca.
  - 6 Acople el utensilio a la mezcladora y baje el cabezal (compruebe su posición, consulte los puntos que se indican arriba).
  - 7 Repita los pasos anteriores, en caso necesario, hasta que el utensilio esté colocado correctamente. Una vez conseguido, apriete bien la tuerca.
- **Nota: la llave inglesa se muestra únicamente a título ilustrativo.**

#### Gancho de amasar

Este utensilio se regula en la fábrica y no debería necesitar ningún ajuste.

# guía de solución de problemas

<b>Problema</b>	<b>Causa</b>	<b>Solución</b>
El batidor de varillas o el batidor K golpea el fondo del bol o no llega hasta los ingredientes del fondo del bol.	El utensilio está a una altura equivocada y necesita ser ajustado.	Ajuste la altura con una llave inglesa adecuada – consulte la sección “Ajuste de los utensilios”.
La “luz indicadora de mezcladora preparada” parpadea cuando el robot de cocina se enchufa por primera vez.	El control de velocidad no está en la posición “O”.	Compruébelo y gire el control de velocidad hacia la posición “O”.
El robot de cocina se para durante el funcionamiento. La “luz indicadora de mezcladora preparada” parpadea rápidamente.	La protección de sobrecarga o el sistema de sobrecalentamiento está activado. Capacidad máxima sobrepasada.	Desenchufe y compruebe si hay alguna obstrucción o sobrecarga. Gire el control de velocidad hacia “O” y luego vuelva a poner en marcha el robot. Si no funciona, quite algunos ingredientes para reducir la carga y vuelva a ponerlo en marcha. Si esto tampoco soluciona el problema, desenchufe el aparato y déjelo parado durante 15 minutos. Enchúfelo y vuelva a seleccionar la velocidad. Si el aparato no se vuelve a poner en marcha al seguir el procedimiento arriba indicado, póngase en contacto con “atención al cliente” para obtener más asesoramiento.
La “luz indicadora de mezcladora preparada” parpadea lentamente mientras el aparato está enchufado.	El robot de cocina se ha dejado enchufado durante más de 30 minutos sin ser utilizado y ha entrado en modo espera.	Gire el control de velocidad a “min” y luego vuelva a “O” para reiniciar el aparato.

# limpieza y mantenimiento

## **cuidado y limpieza**

- Siempre antes de limpiar el aparato, apáguelo y desenchúfelo.

### **unidad de potencia y tapa de la salida**

- Límpielas con un paño húmedo y luego séquelas.
- Nunca las sumerja en agua ni utilice productos abrasivos.
- Recoja el exceso de cable en el compartimento del cable ⑩ situado en la parte posterior del aparato.

### **bol de acero inoxidable**

- Lávelo a mano y, a continuación, séquelo bien o lávelo en el lavavajillas.
- No utilice nunca un cepillo metálico, un estropajo de aluminio ni lejía para limpiar su bol de acero inoxidable. Use vinagre para eliminar las incrustaciones de cal.
- Manténgalo alejado del calor (parte superior de la cocina, hornos, microondas).

### **utensilios y antisalpicaduras**

- Lávelo a mano y, a continuación, séquelo bien o lávelo en el lavavajillas.

### **paleta batidora**

- Quite siempre la escobilla del limpiador flexible del utensilio antes de proceder a la limpieza ⑮.
- Lave la escobilla del limpiador flexible y el utensilio en agua caliente con jabón, y luego seque bien. También se pueden lavar las piezas en el lavavajillas.

Nota: revise el estado del cuerpo del utensilio antes y después de su uso; revise también regularmente el estado de la escobilla del limpiador y sustitúyala si hay signos de desgaste.

### **bol de cristal**

- Lave el bol con agua caliente y jabón, y después séquelo bien.
- El bol también se puede lavar en el lavavajillas.
- Nota: el collarín en la base del bol es amovible y se puede lavar de la misma forma. Para quitar el collarín, ponga el bol vacío boca arriba y desenrosque el collarín en sentido contrario a las agujas del reloj.



# servicio técnico y atención al cliente

- Si tiene problemas con el funcionamiento del aparato, antes de solicitar ayuda, consulte la sección “guía de solución de problemas” en el manual o visite [www.kenwoodworld.com](http://www.kenwoodworld.com).
- Tenga en cuenta que su producto está cubierto por una garantía que cumple con todas las disposiciones legales relativas a cualquier garantía existente y a los derechos de los consumidores vigentes en el país donde se adquirió el producto.
- Si su producto Kenwood funciona mal o si encuentra algún defecto, envíelo o llévelo a un centro de servicios KENWOOD autorizado. Para encontrar información actualizada sobre su centro de servicios KENWOOD autorizado más cercano, visite [www.kenwoodworld.com](http://www.kenwoodworld.com) o la página web específica de su país.
- Diseñado y creado por Kenwood en el Reino Unido.
- Fabricado en China.



## **ADVERTENCIAS PARA LA CORRECTA ELIMINACIÓN DEL PRODUCTO SEGÚN ESTABLECE LA DIRECTIVA EUROPEA SOBRE RESIDUOS DE APARATOS ELÉCTRICOS Y ELECTRÓNICOS (RAEE)**

Al final de su vida útil, el producto no debe eliminarse junto a los desechos urbanos. Puede entregarse a centros específicos de recogida diferenciada dispuestos por las administraciones municipales, o a distribuidores que faciliten este servicio. Eliminar por separado un electrodoméstico significa evitar posibles consecuencias negativas para el medio ambiente y la salud derivadas de una eliminación inadecuada, y permite reciclar los materiales que lo componen, obteniendo así un ahorro importante de energía y recursos. Para subrayar la obligación de eliminar por separado los electrodomésticos, en el producto aparece un contenedor de basura móvil tachado.

## Kend din Kenwood-køkkenmaskine

### **sikkerhed**

- Læs denne brugervejledning nøje, og opbevar den i tilfælde af, at du får brug for at slå noget op i den.
- Fjern al emballage og mærkater.
- Hvis stikket eller ledningen er beskadiget, skal Kenwood eller en autoriseret Kenwood-reparatør af sikkerhedsgrunde stå for udskiftningen for at undgå fare.
- Sluk for strømmen og tag stikket ud af stikkontakten før der monteres eller afmonteres tilbehør, efter brug og før rengøring.
- Hold fingrene væk fra bevægelige dele og monteret tilbehør.
- Lad aldrig køkkenmaskinen være uden opsyn, når den er i drift.
- Brug aldrig en beskadiget maskine. Få den efterset eller repareret se 'service og kundepleje'.
- Lad aldrig ledningen hænge ned, således at et barn kan få fat i den.
- Lad aldrig motorenhed, ledning eller stikkontakt komme i kontakt med vand.
- Anvend aldrig uautoriserede dele eller begge kraftudtag på samme tid
- De maksimale mængder må aldrig overskrides.
- Når der bruges et tilbehør, skal de medfølgende sikkerhedsanvisninger læses.
- Udvis forsigtighed, når skålrædskeer aftages efter længere tids brug, da de kan blive varme.
- Vær forsigtig når du løfter denne maskine, da den er tung. Kontroller at hovedet er låst fast og at skål, redskaber, dæksel til kraftudtag og ledning er fastgjorte, før maskinen løftes.
- Når apparatet flyttes, skal der altid løftes i soklen og mikserhovedet. Løft/bær IKKE apparatet i skålens håndtag.

- Flyt eller hæv ikke køkkenmaskinens hoved med tilbehør påsat, da køkkenmaskinen kan blive ustabil.
- Betjen ikke dit apparat nær en bordkant.
- Dette apparat må ikke anvendes af børn. Opbevar apparatet og ledningen utilgængeligt for børn.
- Børn bør overvåges for at sikre, at de ikke leger med apparatet.
- Misbrug af maskinen kan føre til læsioner.
- Apparater kan bruges af personer med reducerede fysiske, sansemæssige eller mentale evner eller mangel på erfaring og kendskab, hvis de er blevet vejledt eller givet instrukser i brugen af apparatet på en sikker måde, og hvis de forstår de farer, der er involveret.
- Anvend kun apparatet til husholdningsbrug. Kenwood påtager sig intet erstatningsansvar, hvis apparatet ikke anvendes korrekt, eller disse instruktioner ikke følges.

### **Glasskål**

- **Før brug skal det sikres, at dine skålredskaber er indstillet til den korrekte højde og ikke i kontakt med skålens bund – se afsnittet "redskabsjustering".**
- Sørg for ikke at beskadige glasskålen ved at sikre, at den ikke kommer i berøring med meget varme kilder som f.eks. en ovn eller et komfur.
- Glasskålen kan kommes i mikrobølgeovn.

### **Særlige anvisninger**

Glas er et naturligt materiale, under fremstilling af skålen er der gjort forsøg på at sikre det perfekte udseende, men der kan dog være små skønhedsfejl. Dette er normalt og at forvente, men det betyder intet for brugen af skålen.

#### **før stikket sættes i stikkontakten**

- Sørg for, at el-forsyningens spænding er den samme som den, der er vist på bunden af maskinen.

#### **• ADVARSEL: DETTE APPARAT SKAL VÆRE FORBUNDET TIL JORD.**

- Dette apparat overholder EF-forordning 1935/2004 om materialer og genstande, der kommer i kontakt med levnedsmidler.

# mixeren

## før første brug

- Vask delene: Se ”vedligeholdelse og rengøring”-afsnittet.

## forklaring

- ① mixerhoved
- ② kraftudtag til redskaber
- ③ dæksel til kraftudtag
- ④ redskabsfatning
- ⑤ skål
  - a rustfrit stål (hvis en sådan medfølger)
  - b glas (hvis en sådan medfølger)
- ⑥ tænd/sluk og hastighedskontrol
- ⑦ indikatorlampe
- ⑧ røremaskinens hoveddel
- ⑨ håndtag, der frigør røremaskinens hoved
- ⑩ ledningsrum
- ⑪ K-spade
- ⑫ piskeris
- ⑬ spiraldejkrog
- ⑭ purépisker (hvis en sådan medfølger)
- ⑮ folderedskab (hvis et sådant medfølger)
- ⑯ dejskraber
- ⑰ stænkskærm

## tilbehør til mixeren og nogle af deres anvendelser

### K spade

- Til kager, småkager, butterdej, glasur, fyld, vandbakkelser og kartoffelmos.

### piskeris

- Til æg, fløde, pandekagedej, fedtfri formkager, marengs, cheesecakes, mousser, souffléer. Brug ikke piskeriset til tunge blandinger (f.eks. sammenpiskning af fedtstof og sukker) – du kan beskadige det.

### dejkrog

- Kun til gærdej.

### folderedskab

- Folderedskabet er konstrueret til at folde lette ingredienser i tunge blandinger som f.eks. marengs, mousse, frugt-flødepureer, italienske sandkager og souffléer samt til at folde mel i kageblandinger. Det må ikke anvendes til tunge opskrifter som f.eks. dej, til at lave en creme af fedt og sukker eller til alt i én-kage-blandinger.

### purépisker

- Purépiskeren er designet til at pureere og blande bløde ingredienser. Brug den ikke til tunge opskrifter som dej eller hårde ingredienser, der for eksempel indeholder frugtsten, ben eller skaller.

### påsætning af viskerblad

- Viskerbladet leveres monteret og skal altid aftages ved rengøring ⑮.
- 1 Montér omhyggeligt det fleksible viskerblad på værktøjet ved at sætte viskerbladets basis i hullet ⑩ og sætte den ene side ind i rillen, før enden omhyggeligt hægtes på plads ⑪. Gentag dette på den anden side ⑫.

## sådan anvendes mixeren

- 1 Løft håndtaget, der frigør røremaskinens hoved ⑨ bag på maskinen ①, og løft samtidig hovedet ①, indtil det låser i hævet position ②.
- 2 Placer det ønskede redskab i holderen. Tryk derpå op ③, og drej ④ redskabet for at låse det i position.
- 3 Sæt skålen på plads på soklen. Placér håndtaget direkte over symbolet til at låse op ⑥, derefter drejes skålen med uret, indtil håndtaget er lige over låsesymbolet ⑦. LAD VÆRE MED AT

# mixeren

BRUGE for mange kræfter, og LAD VÆRE med at stramme for meget ⑤.

4 Løft håndtaget, der frigør røremaskinens hoved ⑨ bag på køkkenmaskinen, og sænk samtidig røremaskinens hoved ①.

5 Sæt stikket i, så tændes "indikatorlampen for mixer klar".


6 Tænd ved at dreje hastighedskontrollen til den ønskede indstilling.

7 Udløs redskabet ved at dreje mod uret for at låse det op fra redskabsholderen og derpå aftage det.

## vigtigt

- Hvis mixerhovedet løftes under drift, stopper maskinen med det samme. For at genstarte mixeren skal mixerhovedet sænkes, hastighedskontakten drejes til positionen "O" og hastigheden igen vælges. Mixeren bør fortsætte med det samme.
- Når mixerhovedet hæves, slukkes "indikatorlampen". Når hovedet sænkes, tændes lyset, hvilket indikerer, at mixeren er klar til brug.

## tips

- Foldefunktionen  kan bruges til at folde lette ingredienser ind i tungere blandinger som f.eks. marengs, mousser, frugtpureer, formkager og souffler, og til langsomt at indarbejde mel og frugt i kageblandinger. Mixeren vil køre med en konstant, lav hastighed.
- For helt at irøre ingredienserne skal du holde med at blande og skrabe indholdet ned med dejskraberen.
- Det er bedst at piske æg, når de har stuetemperatur.
- Inden der piskes æggehviter, skal du sørge for, at der ikke er noget fedtstof eller æggeblomme på piskeriset eller i skålen.

- Når du laver butterdej, er det bedst at bruge kolde ingredienser, medmindre opskriften angiver andet.
- Når der røres margarine og sukker til kagedeje, skal fedtstoffet altid have stuetemperatur eller blødgøres først.
- Din køkkenmaskine er udstyret med en funktion til 'langsom start', der hjælper med at minimere spild. Hvis maskinen sættes i gang med en tung blanding i skålen, som f.eks. brøddej, vil du opleve, at det tager et par sekunder før røremaskinen opnår den ønskede hastighed.

## elektronisk hastighedssensorkontrol

Mixeren er udstyret med en elektronisk hastighedsføler, som er konstrueret til at opretholde hastigheden under forskellige belastningsforhold, som f.eks. når der æltes brøddej eller når der kommes æg i en kagedej. Der kan derfor høres en vis variation i hastigheden under arbejdet, efterhånden som maskinen indstiller sig til belastningen og den valgte hastighed – dette er normalt.

## vigtige detaljer om brug af dit folderedskab

- Undlad at bruge en høj hastighed, da der behøves en lav hastighed til at opnå den bedste foldning.
- Redskabet er ikke beregnet til at blive brugt til blanding af varme ingredienser. Stil ingredienserne til afkøling, før du bruger folderedskabet til dem.
- Det bedste resultat opnås, hvis du ikke pisker æggehviterne eller fløden for meget. Folderedskabet vil ikke kunne folde blandingen korrekt, hvis den piskede blanding er for fast.
- Undlad at folde blandingen for længe, da luften så vil blive slået ud, og blandingen

# mixeren

vil blive for løs. Stop, så snart blandingen er tilstrækkeligt indarbejdet.

- Alle ingredienser, der sidder tilbage på padlen eller siderne af skålen, skal foldes forsigtigt i med en spatel.

## vigtige detaljer om brødfremstilling

- Overstig aldrig maksimumkapaciteten – du overbelaster maskinen.
- Hvis du hører at maskinen anstreges ved funktion, skal du slukke, fjerne

halvdelen af dejen og røre halvdelene hver for sig.

- Ingredienserne blandes bedst, hvis væsken kommer i først.
- Stop maskinen med mellemrum og skrab dejen ned fra dejkrogen.
- Forskellige partier mel varierer betragteligt med hensyn til den påkrævede væskemængde, og dejens klæbrighed kan have en stor effekt på den belastning, der påføres maskinen. Det anbefales, at du holder øje med maskinen, mens dejen blandes.

anbefalet hastighedsdiagram og maksimal kapacitet				
Dette er kun til vejledning, oplysningerne varierer afhængigt af mængden i skålen og de ingredienser, der blandes.				
redskab/ tilbehør	opskriftstype	hastighed	maksimal tid	maksimal kapacitet
Piskeris	Æggehvider	Maks.	3 min.	2-12 (455 g)
	Fløde		2 til 3 min.	1 liter
Spade	Alt-i-én-kageblandinger	Maks.	2 min.	2 kg vægt i alt Blanding med 10 æg
	Smuldring af fedtstof i mel	Min. til hastighed 2 Min.	2 til 3 min.	680 g mel
	Ihældning af vand for at samle mørdej ingredienser	Min.	30 sek.	
Purépisker	Frugtkage			2,72 kg vægt i alt Blanding med 9 æg
	Sammenpiskning af fedtstof og sukker	Maks.	1½ til 3½ min.	
	Tilføjelse af æg	Maks.	1 til 2 min.	
	Irøring af mel, frugt osv.	Min. til hastighed 1	30 sek. til 1 min.	
Dejkrog	Brøddej (fast, med gær)	Min. til hastighed 1	5 min.	1,35 g mel 2,17 kg vægt i alt

\* Anvendt æggestørrelse = medium (vægt 53-63 g)

# mixeren

anbefalede mængder - folderedskab							
Opskriftstype	Redskab	Ingredienser	Min. mængde	Maks. mængde	Anbefalet hastighed	Omtrentlig tid (til foldning med mindre andet er angivet)	Vink og tips
Italiensk sandkage/ Pisket sandkage	Piskeris	Æg	3	9	Maks.	4-5 min.	Pisk æg og sukker, indtil blandingen er tyk, bleg og cremet.
	Folderedskab	Mel	85 g	250 g	Foldefunktion	2-8 min.	Når melet skal tilsættes, er det bedst at tage et ark smørebrødspapir og folde siden ind, så der dannes en tud. Tilsæt melet lidt ad gangen mens du bruger foldefunktionen. Dette kan tage op til 8 minutter, så vær tålmodig, og vent, indtil det netop tilsatte mel er blevet indarbejdet i blandingen, før du tilsætter mere.
		Blanding i alt	350 g	1 kg			
Souffleer	Piskeris	Æg	2	6	Maks.	1 min.	Pisk en fjerdedel af de sammenpiskede æggevider i på hastighed 3, før du folder resten af æggeviderne i.
	Folderedskab	Blanding i alt	300 g	900 g	Foldefunktion	1 min.	
Frugt-flødepureer	Piskeris	Fløde	125 ml	600 ml	Maks.	1-2 min. maks.	
	Folderedskab	Frugtpuré	80 g	400 g	Foldefunktion	1-2 min.	
Chokolademousse	Piskeris	Blanding i alt	600 g	1,5 kg	Maks.	2½ min.	Tilsæt den smeltede chokolade, og fold det hele på én gang. Fold æggeviderne i lidt ad gangen.
	Folderedskab				Foldefunktion		
Makroner	Piskeris	Blanding i alt	400 g	900 g	Maks.	1 min.	
	Folderedskab				Foldefunktion		

\* Oplysningerne herover er alene vejledende og vil variere afhængigt af den enkelte opskrift og de ingredienser, der anvendes.

Æggenes størrelser anvendt i tabellen = mellemstore (53 g – 63 g).

# sådan monteres og anvendes stænkskærm

- 1 Løft mixerhovedet til det låser.
  - 2 Sæt skålen i fordybningen.
  - 3 Skub stænkskærmen på undersiden af mixerhovedet ⑥, indtil den sidder godt fast. Den hængslede del skal være placeret som vist.
  - 4 Isæt det ønskede tilbehør.
  - 5 Sænk mixerhovedet.
- Under blandingen kan ingredienserne hældes direkte ned i skålen vha. den hængslede del af stænkskærmen ⑦.
  - Det er ikke nødvendigt at fjerne stænkskærmen for at skifte tilbehør.
- 6 Afmontér stænkskærmen ved at hæve mixerhovedet og skub den ned.

## redskabsjustering

### K-spade, piskeris, purépisker og folderedskab

Redskaberne er indstillet til den korrekte højde til den medfølgende skål på fabrikken og bør ikke kræve justering.

Hvis du imidlertid ønsker at justere redskabet, skal du bruge en egnet 15 mm skrueøgle: Følg derpå vejledningen nedenfor:

- 1 Træk apparatets stik ud.
- 2 Hæv mixerhovedet, og isæt piskeriset eller K-spaden.
- 3 Sænk mixerhovedet. Hvis frigangen skal justeres, løftes mixerhovedet, og piskeren aftages. Ideelt set skal piskeriset, K-spaden og folderedskabet **næsten** røre ved skålens bund ⑧.

### purépisker

- Ideelt set skal den være i kontakt med skålens overflade, så den nænsomt visker skålen, når der mikses ⑬.
- 4 Brug en egnet skrueøgle til at løsne møtrikken tilstrækkeligt til kunne justere akslen ⑨ eller ⑭. For at sænke redskabet mod bunden af skålen, skal akslen drejes mod uret. For at hæve redskabet fra bunden af skålen, skal akslen drejes med uret.
  - 5 Spænd møtrikken igen.
  - 6 Sæt redskabet på mixeren, og sænk mixerhovedet. (Kontroller positionen, se ovenstående oplysninger).
  - 7 Gentag ovenstående trin efter behov, til redskabet sidder korrekt. Når dette er gjort, skal møtrikken spændes fast.
- **Bemærk: Viste skrueøgle er kun til illustration.**

### Dejkrog

Dette redskab er indstillet på fabrikken og bør ikke kræve justering.



# fejlfindingsguide

<b>Problem</b>	<b>Årsag</b>	<b>Løsning</b>
Piskeriset eller K-spaden slår mod bunden af skålen eller når ikke ingredienserne i bunden af skålen.	Redskab i forkert højde, justering nødvendig.	Juster højden ved hjælp af en egnet skrueøgle – se afsnittet "Redskabsjustering".
"Indikatorlampen" blinker, første gang køkkenmaskinens stik sættes i.	Hastighedsregulator ikke i "O"-positionen.	Kontroller og drej hastighedsregulatoren til "O"-positionen.
Køkkenmaskinen stopper under betjening. "Indikatorlampen" blinker hurtigt.	Overbelastningsbeskyttelse eller overophedningssystem aktiveret. Maksimal kapacitet overskredet.	Træk stikket ud, og kontroller for forhindring eller overbelastning. Drej hastighedsregulatoren til "O", og start igen. Hvis maskinen ikke fungerer, skal nogle af ingredienserne fjernes for at reducere belastningen og derefter startes igen. Hvis dette stadig ikke løser problemet, skal stikket trækkes ud, og maskinen skal stå i 15 minutter. Sæt stikket i, og vælg hastighed igen. Hvis maskinen ikke starter igen efter ovenstående procedure, skal du kontakte "kundeservice" at få yderligere råd.
"Indikatorlampen" blinker langsomt, mens maskinens stik er sat i.	Køkkenmaskinen har stået med stikket sat i i mere end 30 minutter uden at blive betjent og er gået i standby-tilstand.	Drej hastighedskontrollen til "min", og sæt den tilbage på "O" for at nulstille maskinen.

# rengøring og service

## pleje og rengøring

- Inden rengøring skal der altid slukkes for maskinen og stikket skal tages ud af stikkontakten.

### motorenhed og dæksel til kraftudtag

- Aftørres med en fugtig klud og tørres
- Brug aldrig skuremidler, og kom dem aldrig i vand.
- Opbevar overskydende ledning i rummet til ledningsopbevaring ⑩ bag på maskinen.

### skål i rustfrit skål

- Vaskes i hånden og tørres grundigt eller vaskes i opvaskemaskinen.
- Brug aldrig en stålborste, ståluld eller klor til at rengøre din rustfri stålskål med. Brug eddike til fjernelse af kalk.
- Hold den borte fra varme (komfurer, ovne og mikrobølgeovne).

### redskaber og stænkskærm

- Vaskes i hånden og tørres grundigt eller vaskes i opvaskemaskinen.

### Purépisker

- Aftag altid det bøjelige viskerblad fra værktøjet før rengøring ⑮.
- Vask det bøjelige viskerblad og værktøjet i varmt sæbevand, og tør dem grundigt. Alternativt kan delene vaskes i en opvaskemaskine.

Bemærk: Kontrollér værktøjets stand før og efter brug; kontrollér også regelmæssigt viskerbladets stand, og udskift det, hvis der er nogen tegn på slid.

### glasskål

- Vask skålen i meget varmt sæbevand, og tør den omhyggeligt.
- Skålen kan også lægges i opvaskemaskine.
- Bemærk: Kraven på bunden af skålen kan tages af og rengøres på samme måde. Tag kraven af ved at vende den tomme skål på hovedet og skrue kraven af i retning mod uret.

# service og kundepleje

- Hvis du oplever nogen problemer med betjening af dit apparat, skal du, før du anmoder om hjælp, se afsnittet "fejlsovningsguide" i manualen eller besøge [www.kenwoodworld.com](http://www.kenwoodworld.com).
- Bemærk, at dit produkt er dækket af en garanti, som overholder alle lovbestemmelser, vedrørende evt. eksisterende garanti- og forbrugerrettigheder i det land, hvor produktet er blevet købt.
- Hvis dit Kenwood-produkt er defekt, eller du finder nogen fejl, skal du sende det eller bringe det til et autoriseret KENWOOD-servicecenter. For at finde opdaterede oplysninger om dit nærmeste autoriserede KENWOOD-servicecenter kan du gå til [www.kenwoodworld.com](http://www.kenwoodworld.com) eller webstedet for dit land.
- Designet og udviklet af Kenwood i Storbritannien.
- Fremstillet i Kina.



## **VIGTIG INFORMATION ANGÅENDE KORREKT BORTSKAFFELSE AF PRODUKTET I OVERENSSTEMMELSE MED EU-DIREKTIVET OM AFFALD AF ELEKTRISK OG ELEKTRONISK UDSTYR (WEEE)**

Ved afslutningen af dets produktive liv må produktet ikke bortskaffes som almindeligt affald. Det bør afleveres på et specialiseret lokalt genbrugscenter eller til en forhandler, der yder denne service. At bortskaffe et elektrisk husholdningsapparat separat gør det muligt at undgå eventuelle negative konsekvenser for miljø og helbred på grund af uhensigtsmæssig bortskaffelse, og det giver mulighed for at genbruge de materialer det består af, og dermed opnå en betydelig energi- og ressourcebesparelse. Som en påmindelse om nødvendigheden af at bortskaffe elektriske husholdningsapparater separat, er produktet mærket med en mobil affaldsbeholder med et kryds.

## lär känna din köksmaskin från Kenwood

### **säkerhet**

- Läs bruksanvisningen noggrant och spara den för framtida bruk.
- Avlägsna allt emballage och alla etiketter.
- Om kontakten eller sladden är skadad måste den av säkerhetsskäl bytas ut av Kenwood eller av en auktoriserad Kenwood-reparatör för att undvika fara.
- Stäng av maskinen och dra ut sladden innan du monterar eller tar bort verktyg/tillbehör, efter användningen och före rengöring.
- Rör inte vid delar i rörelse eller monterade tillbehör.
- Lämna aldrig köksmaskinen utan uppsikt när den används.
- Använd aldrig en skadad maskin. Lämna den för kontroll eller reparation: se 'service och kundtjänst'.
- Låt aldrig nätkabeln hänga ned så att ett barn kan ta tag i den.
- Låt aldrig motordelen, kabeln eller stickproppen bli våta.
- Använd aldrig ett tillbehör som inte är godkänt eller båda uttagen samtidigt.
- Överskrid aldrig maskinens maxkapacitet.
- Innan du använder ett verktyg måste du läsa säkerhetsinstruktionerna som hör till.
- Var försiktig när du tar bort skålverktygen efter långvarig användning eftersom de kan bli heta.
- Var försiktig när du lyfter apparaten eftersom den är tung. Se till att huvudet är låst och att skålen, redskapen, uttagslocket och sladden sitter fast innan du lyfter den.
- När du flyttar på apparaten ska du alltid bära den genom att hålla i piedestalens bas och mixerhuvudet. LYFT INTE och bär inte apparaten genom att hålla i skålhandtaget.
- Flytta inte apparaten och fäll inte upp mixerhuvud. Om ett tillbehör är monterat eftersom köksmaskinen blir instabil.

- Använd inte apparaten nära kanten på arbetsbänken.
- Denna apparat ska inte användas av barn. Håll apparat och sladden utom räckhåll för barn.
- Barn får inte lov att leka med apparaten. Lämna dem inte ensamma med den.
- Om apparaten används på fel sätt kan det orsaka skador.
- Apparaten kan användas av personer med begränsad fysisk eller mental förmåga eller begränsad känsel eller med bristande erfarenhet eller kunskap, om de övervakas eller får instruktioner om hur den ska användas på säkert sätt och förstår de medföljande riskerna.
- Använd apparaten endast för avsett ändamål i hemmet. Kenwood frånsäger sig allt ansvar om apparaten används på felaktigt sätt eller om dessa instruktioner inte följs.

### **Glasskål**

- **Innan användning se till att skålverktygen är justerade på rätt höjd och inte kommer in kontakt med skålens botten – se avsnittet 'justering av verktyg'**
- För att undvika skador på glasskålen ska du inte låta den komma i kontakt med mycket starka värmekällor såsom en ugn eller en spishäll.
- Glasskålen är mikrougnssäker.

### **Särskilda skötselanvisningar**

Glas är ett naturligt material. Under tillverkningen av denna skål har alla ansträngningar gjorts för att uppnå ett perfekt utseende, men vissa smärre skönhetsfel kan förekomma. Detta är normalt och kan förväntas. Skålens funktion påverkas inte.

#### **innan du sätter i kontakten**

- Kontrollera att din eltyp är samma som anges på apparatens undersida.
- **VARNING! HUSHÅLLSAPPARATEN MÅSTE VARA JORDAD!**
- Den här apparaten uppfyller EG förordning 1935/2004 om material och

produkter avsedda att komma i kontakt med livsmedel.

#### **innan du använder maskinen för första gången**

- Diska alla delar: se "Skötsel och rengöring".

# mixern

## Förklaring till bilder

- ① mixerhuvud
- ② uttag för tillbehör
- ③ lock till uttag
- ④ redskapshållare
- ⑤ skål
  - a rostfritt stål (om sådan medföljer)
  - b glas (om sådan medföljer)
- ⑥ på/av- och hastighetsreglage
- ⑦ indikatorlampa för mixer
- ⑧ mixerstomme
- ⑨ frigöringsknapp för huvud
- ⑩ sladdförvaring
- ⑪ K spade
- ⑫ visp
- ⑬ degkrok med spiral
- ⑭ smetvisp (om sådan medföljer)
- ⑮ vändaverktyg (om sådant medföljer)
- ⑯ degskrapa
- ⑰ stänkskydd

## blandarverktygen och några användningsområden

### K-spade

- Använd till att göra mjuka kakor, småkakor, pajdeg, glasyr, petit-chou, fyllningar och potatismos.

### visp

- Använd till att vispa ägg, vispgrädde, kak- och pannkakssmet, lätta sockerkakor (utan fett), marängar, ostkakor, mousse, suffléer. Använd inte vispen till tyngre smeter (t.ex. till att vispa matfett med socker) – då kan den skadas.

### degkrok

- Använd bara till jäsdeg.

## vändaverktyg

- Vändaverktyget är utformat för att vända ned lätta ingredienser i tyngre blandningar som för maräng, mousse, fruktblandningar, sockerkakssmet och sufflé samt för att vända ned mjöl i kaksmet. Det ska inte användas för tunga recept som deg, för att röra matfett och socker eller för allt i ett-kakmix.

## smetvisp

- Smetvispen är utformad för att vispa porös smet och att blanda mjuka ingredienser. Den ska inte användas för tunga degar eller för smet som innehåller fruktkärnor, frö eller skal.

## att montera torkarbladet

- Det medföljande torkarbladet är redan monterat och skall alltid tas av vid rengöring ⑮.
- 1 Montera försiktigt det flexibla torkarbladet på verktyget genom att placera basen i hacket ⑩. Montera ena sidan i spåret innan du försiktigt hakar fast kanten ⑪. Upprepa på andra sidan ⑫.

## hur du använder din mixer

- 1 Lyft frigöringsknappen för huvud ⑨ på baksidan av köksmaskinen ① och lyft samtidigt huvudet ① tills det låses fast i höjt läge ②.
- 2 Placera önskat verktyg i uttaget. Tryck det upp ③ och vrid ④ tills det låser på plats.
- 3 Montera skålen på basen. Placera handtaget rakt ovanför symbolen för olåst läge ⑥. Vrid sedan försiktigt skålen medurs tills handtaget befinner sig rakt ovanför symbolen för låst läge


# mixern

- ④. Använd INTE överdriven kraft och dra INTE åt för hårt ⑤.
- 4 Lyft frigöringsknappen för huvudet ⑨ på baksidan av köksmaskinen samtidigt som du sänker mixerhuvudet ①.
- 5 Koppla in strömförsörjningen så kommer "indikatorlampan på mixern" att börja lysa.
- 6 Slå på genom att vrida hastighetsreglaget till önskad inställning.
- 7 Lossa verktyget genom att vrida medurs för att låsa upp det från uttaget och ta sedan av det.

## viktigt

- Om mixerhuvudet höjs under drift kommer maskinen att stanna omedelbart. För att slå på mixern igen sänker du mixerhuvudet, ställer hastighetsreglaget till läge "0", väntar sedan några sekunder och ställer in hastigheten på nytt. Nu ska mixern direkt fungera igen.
- När mixerhuvudet höjs släcks "indikatorlampan för mixern". När huvudet är sänkt, lyser lampan vilket indikerar att mixern är klar att användas.

## tips

- Vändfunktionen  kan användas för att ner lätta ingredienser i tyngre blandningar sås om maräng, mousser, gräddterrätter, lätta sockerkakssmetar och suffléer, och för att långsamt röra ner mjöl och torkad frukt i kakblandningar. Mixern går på konstant sakta hastighet.
- För att ingredienserna ska blandas ordentligt stanna maskinen och skrapa ner ingredienserna i skålen med degskrapan.
- Ägg går lättast att vispa om de är i rumstemperatur.

- Innan du vispar äggvitor måste du se till att vispen och skålen är helt fria från fett och äggula.
- Använd kalla ingredienser för pajdeg, såvida det inte står något annat i receptet.
- Om du ska röra fett och socker till kakdeg får fettet inte vara kylskåpskallt. Låt det stå framme eller värm det först.
- Köksmaskin har en mjukstartsfunktion för att minimera spillet. Om maskinen slås på med en tung blandning i skålen, som t.ex. brödeg, kan det hända att det tar några sekunder för mixern att nå vald hastighet.

## elektronisk hastighetssensor

Mixern har en elektronisk hastighetssensor för att samma hastighet ska upprätthållas under olika belastningsförhållanden, t.ex. när du knådar deg eller tillsätter ägg till kakdeg. Ibland kan det höras hur varvtalet varierar under användningen när blandaren anpassar sig till belastningen och den inställda hastigheten. Det är fullt normalt.

## viktiga punkter när det gäller användningen av vändaverktyget

- Använd inte hög hastighet eftersom låg hastighet krävs för bästa resultat.
- Tillbehöret är inte avsett för att mixa varma ingredienser, låt ingredienserna svalna innan du använder vändaverktyget.
- För bästa resultat ska du inte vispa äggvitor eller grädde för länge – vändaverktyget kan inte röra om blandningen ordentligt om den är för fast.

# mixern

- Kör inte vändaverktyget för länge, då försvinner luften ur blandningen och den blir för lös. Stoppa när blandningen är tillräckligt jämn.
- Alla omixade ingredienser som är kvar på bladet eller på sidorna av skålen ska vändas ned omsorgsfullt med slickepotten.
- Om du hör att det är tungt för maskinen ska du stänga av, ta bort hälften av degen och köra de två delarna separat.
- Ingredienserna blandas bäst om du håller i vätskan först.
- Stanna maskinen då och då och skrapa ner blandningen från degkroken.
- Olika mjölsatser kan variera mycket beträffande hur stor mängd vätska som behövs. Hur kletig degen är kan göra stor skillnad på hur hårt maskinen belastas. Du bör därför hålla ett öga på maskinen medan degen blandas.

## att tänka på när du bakar bröd

- Överskrid aldrig maxmängderna - då överbelastar du maskinen.

rekommenderade hastigheter och maxkapaciteter				
Det här är endast en vägledning. Hastighet och kvantitet varierar beroende på mängd och vilka ingredienser som blandas.				
verktyg/ tillbehör	recepttyp	hastighet	maxtid	maxkapaciteter
Visp	Äggvitor	max	3 min	2–12 (455 g)
	Vispgrädde		2–3 min	1 liter
K-spade	Kaksmet där allt blandas samtidigt	max	2 min	2 kg totalvikt Smet med 10 ägg
	Knåda in matfett i mjöl	Min till hastighet 2	2–3 min	680 g mjöl
	Tillsätt vatten för att binda pajdegens ingredienser	Min	30 s	
Smetvisp	Fruktkaka			2,72 kg totalvikt Smet med 9 ägg
	Matfett och socker	max	1½–3½ min	
	Tillsätt ägg	max	1–2 min	
	Vänd in mjöl, frukt osv.	Min till hastighet 1	30 s–1 min	
Degkrok	Bröddeg (tung jäsdeg)	Min till hastighet 1	5 min	1.35 kg mjöl 2,17 kg totalvikt

\* Ägg storlek = medium (vikt 53–63 g)



# mixern

diagram över rekommenderade mängder – vändaverktyg							
Recepttyp	Redskap	Ingredienser	Minsta kvant.	Största kvant.	Rekommenderad Hastighet	Ungefärlig tid (för nedvändning om inget annat anges)	Tips
Sockerkaka	Visp	Ägg	3	9	Max	4 - 5 minuter	Vispa ägg och socker tills blandningen är tjock, ljus och krämig.
	Vändare	Mjöl	85 g	250 g	Vändafunktion	2 - 8 minuter	När du tillsätter mjölet ska du placera det på ett bakplåtspapper och vika sidan till en strut. Tillsätt mjölet i omgångar till blandningen med vändafunktionen. Det här kan ta upp till åtta minuter så ha tålamod och vänta tills allt mjöl har blandats in innan du tillsätter mer.
		Total mängd	350 g	1 kg			
Suffléer	Visp	Ägg	2	6	Max	1 min	Vispa ned en fjärdedel av de vispade äggvitorna på hastighet 3 innan du vänder ned resten av äggvitorna.
	Vändare	Total mängd	300 g	900 g	Vändafunktion	1 min	
Fruktblandningar	Visp	Grädde	125 ml	600 ml	Max	1 - 2 minuter max	
	Vändare	Fruktpuré	80 g	400 g	Vändafunktion	1 - 2 minuter	
Choklad-mousse	Visp	Total mängd	600 g	1,5 kg	Max	2½ minuter	Tillsätt den smälta chokladen i blandningen och vänd ned allt på en gång. Vänd ned äggvitorna i omgångar.
	Vändare				Vändafunktion		
Macarooner	Visp	Total mängd	400 g	900 g	Max	1 min	
	Vändare				Vändafunktion		

\* Informationen ovan är enbart vägledande uppgifter och varierar beroende på exakt recept och vilka ingredienser som bearbetas.

Äggstorlek som används i diagrammet = medium (53 g-63 g).

# montering och användning av stänkskyddet

- 1 Fäll upp mixerhuvudet tills den går i låsläge.
  - 2 Sätt skålen på basen.
  - 3 Tryck fast stänkskyddet på undersidan av mixerhuvudet **6** så det kommer på plats ordentligt. Gångjärnsdelen ska sitta som visas på bilden.
  - 4 För in önskat verktyg.
  - 5 Sänk mixerhuvudet.
- Under bearbetningen kan ingredienser tillsättas genom den gångjärnsförsedda delen av stänkskyddet **7**.
  - Stänkskyddet behöver inte tas bort för byte av verktyg.
- 6 Ta bort stänkskyddet genom att höja mixerhuvudet och skjuta ner skyddet.

## justering av verktyg

### K-spade, visp, smetvisp och vändaverktyg

Verktygen är inställda till rätt höjd för skålen i fabriken och ska inte behöva justeras.

Om du däremot vill justera verktyget ska du använda en lämplig skiftnyckel som är 15 mm:

Följ sedan nedanstående instruktioner:

- 1 Dra ur apparatens stickkontakt.
- 2 Fäll upp mixerhuvudet och montera vispen eller spaden.
- 3 Sänk mixerhuvudet. Om avståndet behöver justeras höjer du mixerhuvudet och tar bort verktyget. Det ideala är att ballongvispen, K-spaden och vändaverktyget **nästan** vidrör botten av skålen **8**.

#### smetvisp

- Den ska helst komma i kontakt med skålens yta så att den försiktigt rör vid skålen under blandning. **13**.

- 4 Använd en lämplig skruvnyckel för att lossa muttern så att axeln **9** eller **14** kan justeras. Minska verktygets avstånd till skålens botten genom att vrida axeln moturs. Öka verktygets avstånd till skålens botten genom att vrida axeln medurs.
  - 5 Dra åt muttern igen.
  - 6 Montera verktyget på mixern och fäll ner mixerhuvudet. (Kontrollera positionen enligt instruktionerna ovan.)
  - 7 Upprepa vid behov ovanstående steg tills verktyget är korrekt inställt. När justeringen är klar dra åt muttern ordentligt.
- **Obs: Skruvnyckel visas endast i illustrationssyfte.**

#### Degkrok

Verktyget är ställt in i fabriken och behöver inte justeras.

# felsökningsguide

<b>Problem</b>	<b>Orsak</b>	<b>Lösning</b>
Vispen eller k-spaden slår emot botten på skålen eller når inte ingredienserna i botten.	Verktyget har fel höjd och behöver justeras.	Justera höjden med hjälp av en lämplig skruvnyckel.
“Indikatorlampan för mixern” blinkar när köksmaskinen först slås på.	Hastighetsreglaget står inte i läge “O”.	Kontrollera och vrid hastighetsreglaget till läge “O”.
Köksmaskinen stannar under användning. “Indikatorlampan för mixern” blinkar snabbt.	Skyddssystemet mot överbelastning eller överhettning är aktiverat. Maximal kapacitet har överskridits.	Dra ur stickkontakten och kontrollera om något blockerar maskinen eller om den är överbelastad. Vrid hastighetsreglaget till “O”. Starta maskinen igen. Om maskinen inte startar ta bort en del ingredienser för att minska belastningen och starta igen. Är problemet fortfarande inte löst. Ta ur stickkontakten och låt maskinen vila i 15 minuter. Sätt i stickkontakten och välj hastighet. Om köksmaskinen fortfarande inte startar efter ovanstående procedur kontakta ”kundtjänst” för hjälp.
“Indikatorlampan för mixern” blinkar långsamt när maskinen är påslagen.	Köksmaskinen har lämnats påslagen i över 30 minuter utan att användas och har gått in i standby-läge.	Vrid hastighetsreglaget till “min” och sedan tillbaka till “O” för att återställa maskinen.

## rengöring och service

### skötsel och rengöring

- Stäng alltid av maskinen och dra ut kontakten innan du gör ren den.

#### motordel och uttagslock

- Torka av med en fuktig trasa och handdukstorka torrt.
- Använd aldrig putsmedel och doppa aldrig i vatten.
- Förvara sladden i sladdfacket ⑩ på baksidan av maskinen.

#### skål av rostfritt stål

- Diska för hand och handdukstorka sedan ordentligt eller diska i diskmaskin.
- Använd aldrig stålborste, stålull eller blekmedel vid rengöring av den rostfria skålen. Kalkavlagringar kan avlägsnas med ättika.
- Håll borta från värme (spishäll, ugn, microvågsugn).

#### verktyg & stänkskydd

- Diska för hand och handdukstorka sedan ordentligt eller diska i diskmaskin.

#### smetvisp

- Ta alltid av det flexibla torkarbladet från verktyget innan det rengörs ⑮.
- Diska det flexibla torkarbladet och verktyget i varmt vatten med diskmedel. Torka noggrant. Delarna kan maskindiskas.

Obs: Inspektera verktygets kropp före och efter användning. Kontrollera även torkarbladets tillstånd och ersätt det när det börjar slitas.

## service och kundtjänst

### glasskål

- Diska skålen i varm diskmedelslösning och torka noga.
- Alternativt kan den maskindiskas.
- Obs! Flänsen på skålens botten kan tas bort och diskas på samma sätt. För att ta bort flänsen vänder du den tomma skålen upp och ner och skruvar bort flänsen i moturs riktning.

# service och kundtjänst

- Om du får problem med att använda apparaten ber vi dig att läsa avsnittet om "problemsökning" i bruksanvisningen eller på [www.kenwoodworld.com](http://www.kenwoodworld.com) innan du ringer kundtjänst.
- Produkten omfattas av en garanti som efterföljer alla lagstadgade bestämmelser vad gäller garanti och konsumenträttigheter i inköpslandet.
- Om din Kenwood-produkt inte fungerar som den ska eller om du upptäcker fel ber vi dig att lämna eller skicka in den till ett godkänt KENWOOD-servicecenter. För aktuell information om närmaste godkända KENWOOD-servicecenter besök [www.kenwoodworld.com](http://www.kenwoodworld.com) eller Kenwoods webbplats för ditt land.
- Konstruerad och utvecklad av Kenwood i Storbritannien.
- Tillverkad i Kina.



## **VIKTIG INFORMATION OM HUR PRODUKTEN SKALL KASSERAS I ENLIGHET MED EUROPEISKA DIREKTIV OM AVFALL SOM UTGÖRS AV ELLER INNEHÅLLER ELEKTRISK OCH ELEKTRONISK UTRUSTNING (WEEE)**

När produktens livslängd är över får den inte slängas i hushållssoporna. Den kan överlämnas till lokala myndigheters avfallssorteringscentraler eller till en återförsäljare som ger denna service. När du avfallshanterar en hushållsapparat på rätt sätt undviker du de negativa konsekvenser för miljö och hälsa som kan uppkomma vid felaktig avfallshandling. Du möjliggör även återvinning av materialen vilket innebär en betydande besparing av energi och tillgångar.

bli kjent med Kenwood-kjøkkenmaskinen din

## sikkerhet

- Les nøye gjennom denne bruksanvisningen og ta vare på den slik at du kan slå opp i den senere.
- Fjern all emballasje og eventuelle merkesedler.
- Hvis støpselet eller ledningen er skadet, må de av sikkerhetshensyn skiftes ut av Kenwood eller et godkjent Kenwood-verksted for å unngå ulykker.
- Slå av strømmen og trekk støpselet ut av kontakten før du setter på eller tar av redskap/tilbehør, etter bruk og før rengjøring.
- Hold fingrene vekk fra bevegelige deler og montert tilbehør.
- Du må aldri la kjøkkenmaskinen være uten oppsyn mens den er i drift.
- Bruk aldri en skadet maskin. Sørg for at den blir undersøkt og reparert, se 'service og kundetjeneste'.
- Ikke la ledningen henge ned slik at et barn kan få tak i den.
- Ikke la strømdelen, ledningen eller støpselet bli våte.
- Du må aldri bruke uautorisert tilbehør eller begge uttakene samtidig
- Maksimum kapasitet som er nevnt må aldri overstiges.
- Når du bruker tilbehør må du alltid først lese sikkerhetsreglene som følger med.
- Vær forsiktig når du tar av bollerredskaper etter langvarig bruk – de kan være varme.
- Vær forsiktig når du løfter det tunge apparatet. Sørg for at mikserhodet er låst og at bollen, redskaperen, uttaksdekslet og ledningen er sikret før du løfter.
- Ved flytting av apparatet må du alltid holde i sokkelen og mikserhodet. Du må IKKE løfte eller bære apparatet etter bollehåndtaket.
- Ikke flytt eller hev mikserhodet mens tilbehør er satt på, dette kan gjøre kjøkkenmaskinen ustabil.

- Ikke bruk maskinen nær kanten av en benk.
- Dette apparatet må ikke brukes av barn. Hold apparatet og den tilhørende ledningen utenfor barns rekkevidde.
- Barn må ha tilsyn for å sikre at de ikke leker med apparatet.
- Feil bruk av maskinen kan forårsake personskader.
- Apparater kan brukes av personer med reduserte fysiske, sensoriske eller mentale evner, eller som mangler erfaring eller kunnskap, hvis de har fått tilsyn eller veiledning om trygg bruk av apparatet og de forstår farene det innebærer.
- Bruk bare apparatet til dets tiltenkte hjemlige bruk. Kenwood frasier seg ethvert ansvar ved feilaktig bruk eller dersom apparatet ikke er brukt i henhold til denne bruksanvisningen.

### **Glassbolle**

- **Før bruk må du sikre at bolleredskapene dine er justert til riktig høyde, slik at de ikke er i kontakt med bunnen av bollen – se «justering av redskaper».**
- Forhindre at glassbollen blir skadet ved å ikke la bollen komme i kontakt med varmekilder, for eksempel ovner eller komfyrplater.
- Glassbollen kan brukes i mikrobølgeovner.

### **Spesielle vedlikeholdsanvisninger**

Glass er et naturlig materiale. Under produksjonen av denne bollen har alt blitt gjort for å sikre at den ser perfekt ut, men det kan hende den har små lyter – dette er normalt og som forventet, og bollens ytelse blir ikke påvirket av dette.

#### **før du setter i støpselet**

- Forsikre deg om at nettspenningen stemmer overens med det som står på undersiden av apparatet.
- **ADVARSEL: DETTE APPARATET MÅ VÆRE JORDET.**

- Dette apparatet overholder EC-forordning 1935/2004 om materialer og gjenstander som er bestemt å komme i kontakt med næringsmidler.

#### **før førstegangs bruk**

- Vask delene: se avsnittet «stell og rengjøring».

# mikseren

## deler

- ① mikserhode
- ② uttak til tilbehør
- ③ uttaksdeksel
- ④ kontakt til redskapen
- ⑤ bolle
  - a rustfritt stål (hvis den følger med)
  - b glass (hvis den følger med)
- ⑥ på/av- og hastighetskontroll
- ⑦ indikatorlampe for mikser klar
- ⑧ selve mikseren
- ⑨ utløerspake til mikserhodet
- ⑩ ledningsoppbevaring
- ⑪ K-spade
- ⑫ visp
- ⑬ spiraldeigkrok
- ⑭ røreskovi (hvis den følger med)
- ⑮ vendeverktøy (hvis den følger med)
- ⑯ slikkepott
- ⑰ sprutdeksel

## blanderredskapen og noe av det du kan bruke dem til

### K spade

- Til å lage kaker, småkaker, butter-/mørdeig, glasur, fyll, vannbakkels og potetmos.

### visp

- Til egg, krem, røre, fettfrie sukkerbrød, marengs, ostekaker, mousse, soufflé. Ikke bruk vispen til tunge blandinger (f.eks. sammenrøring av fett og sukker) – du kan skade den.

### deigkrok

- Bare til gjærblandinger.

### vendeverktøy

- Vendeverktøyet er designet for vending av lette ingredienser i tyngre blandinger, for eksempel marengs, mousse, fruktdesserten og souffléer, og til å vende

inn mel i kakemikser. Det må ikke brukes med tunge oppskrifter som deig, røring av smør og sukker eller alt-i-ett-kakemikser.

### røreskovi

- Røreskovi er utformet for hvitrøring og blanding av myke ingredienser. Ikke bruk til tunge oppskrifter, som deig, eller til harde ingredienser, for eksempel oppskrifter med fruktsteiner, ben eller skall.

### Påsetting av slikkepottkanten

- Slikkepottkanten leveres ferdig påsatt og må alltid fjernes for rengjøring ⑮.
- 1 Sett den fleksible slikkepottkanten riktig på verktøyet ved å sette slikkepottkantens base i hakket ⑩, og så sette én side i sporet før du forsiktig hefter enden på plass ⑪. Gjenta på den andre siden ⑫.

## slik bruker du mikseren

- 1 Løft utløerspaken til mikserhodet ⑨ på baksiden av kjøkkenmaskinen ①, og løft samtidig mikserhodet ① til det låses på plass i hevet stilling ②.
- 2 Plasser redskapet du vil bruke i kontakten. Så skyver du redskapet opp ③ og vrir ④ det slik at det låses på plass.
- 3 Sett bollen på understellet. Plasser håndtaket rett over symbolet for utløsning ⑥, og vri deretter bollen forsiktig med klokken til håndtaket er like over låsesymbolet ⑥. IKKE BRUK for mye kraft og IKKE stram til for mye ⑤.
- 4 Løft utløerspaken til mikserhodet ⑨ på baksiden av kjøkkenmaskinen, og senk samtidig mikserhodet ①.
- 5 Sett i støpselet – «indikatorlampe for mikser klar» lyser.




# mikseren

- 6 Slå på ved å vri hastighetskontrollen til innstillingen du ønsker.
- 7 Løs ut redskapet ved å vri medsols for å frigjøre det fra redskapskontakten, og ta det av.

## **viktig**

- Hvis mikserhodet heves under bruk, slutter maskinen å kjøre umiddelbart. Du starter mikseren igjen ved å senke mikserhodet, vri hastighetsbryteren til «O»-stillingen, vente noen sekunder og så velge hastigheten igjen. Da skal mikseren begynne å kjøre igjen med én gang.
- Når mikserhodet heves, slukkes «indikatorlampe for mikser klar». Når hodet senkes, lyser lampen for å angi at mikseren er klar til bruk.

## **tips**

- Vendefunksjonen  kan brukes til å vende lette ingredienser inn i tyngre blandinger, for eksempel til marengs, mousse, fruktdesserten og suffleer, og til å blande mel og frukt sakte inn i kakerøre. Mikseren kjører i en konstant, lav hastighet.
- Sørg for at ingrediensene blandes helt ved å stanse miksingen og skrape bollen med slikkepotten.
- Det er best å vispe egg som har romtemperatur.
- Før du visper eggehviter må du passé på at det ikke finnes fett eller eggeplomme på vispen eller i bollen.
- Bruk kalde ingredienser til paideig, med mindre oppskriften sier noe annet.
- Når du rører smør og sukker hvitt til kakedeig, skal du alltid bruke smør med romtemperatur, eller mykne det først.
- Kjøkkenmaskinen er utstyrt med en "myk start"-funksjon for å minimere søl. Men hvis apparatet slås på med en tung

deig i bollen, f.eks. brøddeig, merker du kanskje at det tar noen sekunder før mikseren når valgt hastighet.

## **elektronisk hastighetskontroll**

Mikseren er utstyrt med en elektronisk hastighetssensor som er ment å opprettholde hastigheten ved forskjellige belastingsforhold, for eksempel når du elter brøddeig eller når du setter egg til kakedeig. Du hører derfor kanskje litt variasjon i hastigheten når mikseren går, da mikseren innstiller seg på belastning og valgt hastighet – detter er normalt.

## **viktig informasjon om bruk av vendeverktøyet**

- Ikke bruk en høy hastighet, lav hastighet er nødvendig for best mulig vending.
- Verktøyet er ikke ment for blanding av varme ingredienser, la ingredienser avkjøle seg før du bruker vendeverktøyet.
- For best resultat må du ikke vispe eggehviter eller krem for mye – vendeverktøyet vil ikke kunne vende blandingen riktig hvis den vispede blandingen er for fast.
- Ikke vend blandingen for lenge, da luften vil bli slått ut og blandingen blir for løs. Stopp så snart blandingen er tilstrekkelig innarbeidet.
- Eventuelle ublandede ingredienser som er igjen på vendeverktøyet eller sidene av bollen bør vendes forsiktig inn med en slikkepott.

## **viktig angående brødbaking**

- Du må aldri overskride maksimumskapasiteten – maskinen blir overbelastet.

# mikseren

- Hvis du hører at apparatet går tregt skal du slå det av, ta ut halvparten av deigen og kjøre hver halvdel for seg.
- Ingrediensene blandes best dersom du har i væsken først.
- Stans maskinen med jevne mellomrom og skrap blandingen av eltekroken.
- Mel kan variere betydelig med hensyn til hvor mye væske som kreves, og hvor klebrig deigen er, kan påvirke belastningen for maskinen. Vi anbefaler at du holder øye med maskinen mens deigen mikses.

tabell for anbefalte hastigheter og maksimal kapasitet				
Dette er bare en veiledning, det vil variere avhengig av hvor mye som er i bollen og ingrediensene som blandes.				
redskap/ tilbehør	oppskriftstype	hastighet	maksimal tid	maksimal kapasitet
Visp	Eggehviter	Max	3 min.	2–12 (455 g)
	Fløte		2–3 min.	1 liter
Spade	Alt-i-ett-kakemiks	Max	2 min.	2 kg totalvekt 10 egg
	Gni fett inn i mel	Min til hastighet 2	2–3 min.	680 g mel
	Legge til vann for å kombinere butterdeigingredienser	Min	30 sek.	
Røreskovl	Fruktkake	Max	1½–3½ min.	2,72 kg totalvekt 9 egg
	Hvitring av fett og sukker			
	Legge til egg	Max	1–2 min.	
	Folde inn mel, frukt osv.	Min til hastighet 1	30 sek.–1 min.	
Deigkrok	Brøddeig (stiv med gjær)	Min til hastighet 1	5 min.	1,35 kg melvekt 2,17 kg totalvekt

\* Eggstørrelser som brukes = middels store (vekt 53–63 g)

# mikseren

tabell for anbefalte mengder – vendeverktøy							
Oppskriftstype	Verktøy	Ingredienser	Min mengde	Maks mengde	Anbefalt hastighet	Omtrentlig tid (til vending med mindre angitt)	Hint og tips
Genovakake/sukkerbrød	Visp	Egg	3	9	Maks	4 - 5 min	Visp egg og sukker til en tykk, hvit og kremaktig blanding.
	Vendeverktøy	Mel	85 g	250 g	Vendefunksjon	2 - 8 min	
Hele blandingen		350 g	1 kg				
Suffléer	Visp	Egg	2	6	Maks	1 min	Visp inn en fjerdedel av de vispede eggehviteene på hastighet 3 før du vender inn resten av eggehviteene.
	Vendeverktøy	Hele blandingen	300 g	900 g	Vendefunksjon	1 min	
Fruktdesserter	Visp	Krem	125 ml	600 ml	Maks	1-2 min maks	
	Vendeverktøy	Fruktmos	80 g	400 g	Vendefunksjon	1-2 min maks	
Sjokolade-mousse	Visp	Hele blandingen	600 g	1,5 kg	Maks	2½ min	Tilsett smeltet sjokolade tilblanding og bland alt sammen på en gang. Vend inn eggehviteene litt av gangen.
	Vendeverktøy				Vendefunksjon		
Makroner	Visp	Hele blandingen	400 g	900 g	Maks	1 min	
	Vendeverktøy				Vendefunksjon		

\* Informasjonen ovenfor er kun veiledende og vil variere avhengig av den nøyaktige oppskriften og ingrediensene som blir behandlet.

Eggstørrelser som brukes i tabellen = medium (53 g – 63 g).

# tilpasse og bruke sprutdekselet

- 1 Løft mikserhodet til det låser seg.
- 2 Sett bollen på plass.
- 3 Skyv kantringen under mikserhodet **6** til den sitter godt. Den hengslede delen bør plasseres som vist.
- 4 Sett i ønsket redskap.
- 5 Senk mikserhodet.
- Under miksing kan ingrediensene tilsettes direkte i bollen via den hengslede delen av sprutdekselet **7**.
- Det er ikke nødvendig å ta av sprutdekselet for å bytte redskap.
- 6 Løft mikserhodet og ta av sprutdekselet ved å skyve det ned.

## justering av redskaper

### K-spade, visp, kremspade og vendeverktøy

Redskapene er fabrikkinnstilt til korrekt høyde for bollen som følger med, og bør ikke måtte justeres.

Hvis du imidlertid vil justere verktøyet, må du bruke en egnet skiftenøkkel på 15 mm:

Så følger du veiledningen under:

- 1 Trekk ut støpselet.
- 2 Hev mikserhodet og sett inn vispen eller spaden.
- 3 Senk mikserhodet. Hvis klareringen må justeres, hever du mikserhodet og tar av verktøyet. Ideelt sett bør vispen, K-spaden og vendeverktøyet **nesten** berøre bunnen av bollen **8**.

#### røreskovl

- Ideelt sett bør den være i kontakt med bolleoverflaten slik at den forsiktig gnir mot bollen under miksing **13**.
- 4 Bruk en passende skiftenøkkel til å løsne mutteren nok til at du kan justere skaftet **9** eller **14**. Hvis du vil senke redskapet lenger ned mot bunnen av bollen, vrir du skaftet motsols. Hvis du vil heve redskapet opp og vekk fra bunnen av bollen, vrir du skaftet medsols.
  - 5 Stram til mutteren igjen.

- 6 Sett redskapet på mikseren og senk mikserhodet. (Sjekk stillingen det er i, se over).
- 7 Gjenta trinnene over så mange ganger det er nødvendig til redskapet er korrekt innstilt. Når du har fått til dette, strammer du mutteren godt til.
- **Merk: Skiftenøkkelen som vises er bare til illustrasjonsformål.**

#### Deigkrok

Dette redskapet er innstilt på fabrikkens og vil ikke trenge justering.

# feilsøking

<b>Problem</b>	<b>Årsak</b>	<b>Løsning</b>
Vispen eller K-spaden dunker ned i bunnen av bollen eller rekker ikke ned til ingrediensene i bollen.	Redskapet er i feil høyde og må justeres.	Juster høyden med en passende skiffenøkkel – se avsnittet «Justering av redskaper».
«Indikatorlampe for mikser klar» blinker når støpselet på kjøkkenmaskinen settes inn i kontakten.	Hastighetskontrollen står ikke stilt til «O».	Sjekk og vri hastighetskontrollen til «O».
Kjøkkenmaskinen stanser under bruk. «Indikatorlampe for mikser klar» blinker fort.	Systemet for vern mot overbelastning eller overoppheting er aktivert. Maksimalkapasiteten er overskredet.	Trekk ut støpselet og sjekk etter blokkeringer eller overbelastning. Vri hastighetskontrollen til «O» og start på nytt. Hvis maskinen ikke fungerer, må du redusere belastningen ved å fjerne noen av ingrediensene og starte på nytt. Hvis dette ikke løser problemet, trekker du ut støpselet og lar stå i 15 minutter. Sett inn støpselet igjen og velg hastighet på nytt. Hvis maskinen ikke starter igjen etter at du har brukt fremgangsmåten over, må du kontakte «kundeservice» for mer hjelp.
«Indikatorlampe for mikser klar» blinker langsomt mens maskinens støpsel står i kontakten.	Kjøkkenmaskinen har stått i kontakten i mer enn 30 minutter uten bruk og har gått i Standby-modus.	Vri hastighetskontrollen til «min» og så tilbake til «O» for å tilbake stille maskinen.

# rengjøring og service

## stell og rengjøring

- Slå alltid av maskinen og trekk ut støpselet før rengjøring.

### motorenhet og uttaksdeksel

- Tørk over med en fuktig klut og tørk.
- Bruk aldri slipemidler eller legg i vann.
- Oppbevar overflødig ledning i oppbevaringsrommet for ledning ⑩ på baksiden av maskinen.

### bolle i rustfritt stål

- Vask for hånd og tørk grundig, eller vask i oppvaskmaskin.
- Bruk aldri stålborste, stålull eller klorin til å rengjøre bollen av rustfritt stål. Bruk eddik til å fjerne kalkavleiringer.
- Hold unna sterk varme (komfyrplater, ovner, mikrobølgeovner).

### redskapene og sprutdekslet

- Vask for hånd og tørk grundig, eller vask i oppvaskmaskin.

### røreskovi

- Ta alltid av slikkepottkanten fra redskapet før rengjøring ⑮.
  - Vask slikkepottkanten og redskapet i varmt såpevann, og tørk grundig. Alternativt kan du vaske delene i oppvaskmaskinen.
- Merk: Sjekk hvilken stand redskapet er i før o og etter bruk, og sjekk også regelmessig slikkepottkantens stand, og erstatt den hvis den viser tegn på slitasje.

### glassbolle

- Vask bollen i varmt såpevann, og tørk godt.
- Alternativt kan bollen vaskes i oppvaskmaskin.
- Merk: Kragen nederst på bollen kan tas av og kan vaskes på samme måte. Du tar av kragen ved å snu den tomme bollen opp ned og skru løs kragen motsols.

# service og kundetjeneste

- Hvis du har problemer med å bruke apparatet ditt, må du sjekke «feilsøkingsveiledningen» i håndboken eller gå til [www.kenwoodworld.com](http://www.kenwoodworld.com) før du kontakter oss for hjelp.
- Vennligst merk at produktet ditt dekkes av en garanti som overholder alle lovforskrifter angående eksisterende garanti- og forbrukerrettigheter i landet der produktet ble kjøpt.
- Hvis Kenwood-produktet ditt har funksjonssvikt eller du finner defekter på det, må du sende eller ta det med til et autorisert KENWOOD-servicesenter. Du finner oppdatert informasjon om hvor ditt nærmeste autoriserte KENWOOD-servicesenter er, på [www.kenwoodworld.com](http://www.kenwoodworld.com) eller på nettstedet for landet ditt.
- Designet og utviklet av Kenwood i Storbritannia.
- Laget i Kina.



## **VIKTIG INFORMASJON OM KORREKT KASTING AV PRODUKTET I HENHOLD TIL EU-DIREKTIVET OM ELEKTRISK OG ELEKTRONISK UTSTYR SOM AVFALL (WEEE)**

På slutten av levetiden må ikke produktet kastes som vanlig avfall. Det må tas med til et lokalt kildesorteringssted eller til en forhandler som tilbyr tjenesten. Ved å avhende husholdningsapparater separat unngås mulige negative konsekvenser for miljø og helse som oppstår som en følge av feil avhending, og gjør at de forskjellige materialene kan gjenvinnes. Dermed blir det betydelige besparelser på energi og ressurser. Som en påminnelse om behovet for å kaste husholdningsapparater separat, er produktet merket med en søppelkasse med kryss over.

# Kenwood-yleiskoneeseen tutustuminen

## **turvallisuus**

- Lue nämä ohjeet huolella ja säilytä ne myöhempää tarvetta varten.
- Poista pakkauksen osat ja mahdolliset tarrat.
- Jos virtajohto tai pistoke on vaurioitunut, sen saa vaihtaa ainoastaan Kenwood tai Kenwoodin valtuutettu huoltoedustaja vaarojen välttämiseksi.
- Kytke kone pois päältä ja irrota pistoke pistorasiasta ennen kuin kiinnität tai irrotat työvälaineet/lisälaitteet käytön jälkeen ja ennen puhdistusta.
- Pidä sormet kaukana liikkuvista osista ja paikalleen asetetuista lisälaitteista.
- Älä jätä yleiskonetta toimimaan ilman valvontaa.
- Älä käytä konetta jos siihen on tullut vikaa. Vie se tarkistettavaksi tai korjattavaksi; katso kohtaa 'huolto ja asiakaspalvelu'.
- Älä anna virtajohdon roikkua siten, että lapsi voi tarttua siihen.
- Älä anna moottoriosan, virtajohdon tai pistokkeen kastua.
- Käytä vain tämän laitteen valmistajan suosittelemia varusteita ja molempia aukkoja samanaikaisesti.
- Älä koskaan ylikuormita konetta suositeltua suuremmalla määrällä aineksia kerrallaan.
- Muista lukea kunkin laitteen turvallista käyttöä koskevat ohjeet ennen kuin käytät kyseistä laitetta.
- Irrota kulhotyövälaineet varovaisesti pitkään jatkuneen käytön jälkeen, sillä ne saattavat olla kuumia.
- Nosta tätä laitetta varovaisesti, sillä se on painava. Varmista ennen nostamista, että kulho, työvälaineet, aukon kansi ja johto on kiinnitetty kunnolla.
- Kun siirät laitetta, tartu aina jalustan pohjaan ja sekoituspäähän. ÄLÄ nosta tai kannu laitetta kulhon kahvasta.
- Älä siirrä tai nosta sekoituspäätä, kun siihen on kiinnitetty varuste. Muuten yleiskone voi muuttua epävakaaksi.



- Älä käytä laitetta lähellä työtason reunaa.
- Tätä laitetta ei saa antaa lasten käyttöön. Pidä laite ja sen virtajohto poissa lasten ulottuvilta.
- Lapsia tulee pitää silmällä sen varmistamiseksi, että he eivät leiki laitteella.
- Laitteen väärinkäyttö voi aiheuttaa loukkaantumisen.
- Fyysisesti, sensorisesti tai henkisesti rajoittuneet tai kokemattomat henkilöt voivat käyttää laitteita, jos heidät on koulutettu käyttämään niitä turvallisesti ja he ymmärtävät käyttämisen aiheuttamat vaarat.
- Käytä laitetta ainoastaan sille tarkoitettuun kotitalouskäyttöön. Kenwood-yhtiö ei ole korvausvelvollinen, jos laitetta on käytetty väärin tai näitä ohjeita ei ole noudatettu.

### Lasikulho

- **Varmista ennen käyttämistä, että työvälineet on säädetty oikealle korkeudelle, jotta ne eivät osu kulhon pohjaan. Lisätietoja on työkalun säätäminen -kohdassa.**
- Älä anna lasikulhon joutua kosketuksiin esimerkiksi kuuman uunin tai lieden kanssa, jotta se ei vaurioidu.
- Lasikulho kestää kuumentamista mikroaaltouunissa.

### Erityiset hoito-ohjeet

Lasi on luonnonmateriaalia. Tätä kulhoa valmistettaessa sen ulkonäköön on kiinnitetty huomiota, mutta siinä voi näkyä pieniä kauneusvirheitä. Ne ovat täysin normaaleja, eivätkä ne vaikuta kulhon toimintaan.

### ennen liittämistä verkkovirtaan

- Varmista, että koneen pohjassa esitetty jännite vastaa käytettävän verkkovirran jännitettä.
- **VAROITUS: TÄMÄ LAITE ON MAADOITETTAVA.**

- Tämä laite täyttää EU-asetuksen 1935/2004 elintarvikkeiden kanssa kosketuksiin joutuvista materiaaleista ja tarvikkeista.

### ennen ensimmäistä käyttökertaa

- Pese osat. Lisätietoja on hoitaminen ja puhdistaminen -osassa.

# sekoitin

## selite

- ① sekoitinpää
- ② paikka lisälaitetta varten
- ③ lisälaittepaikan kansi
- ④ työvälineliitäntä
- ⑤ kulho
  - a ruostumatonta terästä (jos sisältyy toimitukseen)
  - b lasia (jos sisältyy toimitukseen)
- ⑥ virtakytkin ja nopeudensäädin
- ⑦ valmiusmerkkivalo
- ⑧ sekoittimen runko
- ⑨ päänavapautusvipu
- ⑩ johdon säilytyspaikka
- ⑪ K-vatkain
- ⑫ vispilä
- ⑬ kierretaikinakoukku
- ⑭ vaahdotusvatkain (jos sisältyy toimitukseen)
- ⑮ kääntelytyökalu (jos sisältyy toimitukseen)
- ⑯ kaavin
- ⑰ roiskesuoja

## sekoitusvälineet ja niiden käyttö

### K vatkain

- Kakku-, keksi-, pikkuleipä- ja pasteijataikinoiden, kuorrutusten ja täytteiden sekoittamiseen sekä perunamuhennoksen tekemiseen.

### vispilä

- Kananmunien, kerman, taikinoiden, keveiden seosten, marenkitaikinain, juustokakkujen, moussejen ja kohokkaiden vatkaamiseen. Älä sekoita vispilän avulla raskaita aineksia. Älä esimerkiksi vaahdota sen avulla rasvaa ja sokeria. Muutoin vispilä voi vaurioitua.

## taikinakoukku

- Vain hiivataikinoiden vatkaamiseen.

## kääntelytyökalu

- Kääntelytyökalun avulla voit sekoittaa kevyitä aineosia raskaiksi seoksiksi esimerkiksi marenkien, moussejen, hedelmäjätkiruokien, pikkuleipätaikinoiden ja kohokkaiden valmistamiseksi sekä jauhojen sekoittamiseksi kakkutaikinoihin. Se ei sovellu taikinoiden kaltaisten raskaiden massojen sekoittamiseen eikä rasvan ja sokerin vaahdottamiseen.

## vaahdotusvatkain

- Vaahdotusvatkain on tarkoitettu vaahdottamiseen ja pehmeiden aineosien sekoittamiseen. Älä käytä sitä esimerkiksi paksuille taikinoille tai jos massa sisältää kovia aineosia, kuten hedelmien kiviä tai kuoria.

## kaapimen kiinnittäminen

- Kaavin toimitetaan valmiiksi kiinnitettynä. Sen saa irrottaa vain puhdistamista varten ⑮.
- 1 Kiinnitä joustava kaavinosa työkaluun asettamalla kaapimen alaosa koloon ⑩ ja työntämällä yksi puoli uraan ennen päädyn kiinnittämistä paikalleen ⑪. Toista toimet toisella puolella ⑫.

## sekoittimen käyttäminen

- 1 Nosta laitteen ① takana näkyvää päänavapautusvipua ⑨ ja nosta samanaikaisesti päätä ①, kunnes se lukittuu yläasentoonsa ②.
- 2 Aseta tarvittava työväline paikalleen. Paina työkalua ylös ③ ja käännä ④, jotta se lukittuu paikalleen.
- 3 Kiinnitä kulho alustaan. Aseta kahva suoraan avaamisen symbolin ⑥ päälle. Käännä kulhoa varovaisesti

# sekoitin

myötäpäivään, kunnes kahva on suoraan lukitsemisen symbolin **f** yläpuolella. ÄLÄ käytä liikaa voimaa. ÄLÄ kiristä liikaa **5**.

- 4 Nosta laitteen takana näkyvää päänvapautusvipua **9** ja laske sekoittimen päätä **1** alaspäin.
- 5 Työnnä pistoke pistorasiaan. Sekoittimen valmiusmerkkivalo syttyy.
- 6 Käynnistä laite kääntämällä nopeudensäädin haluamaasi asentoon.
- 7 Vapauta työväline kiinnityspaikastaan kääntämällä myötäpäivään ja irrottamalla.

## tärkeää

- Jos sekoittimen pää nostetaan käytön aikana, laite pysähtyy heti. Voit käynnistää sekoittimen uudelleen laskemalla sekoituspään alas, kääntämällä nopeudensäätimen O-asentoon, odottamalla muutaman sekunnin ja valitsemalla nopeuden uudelleen. Sekoittimen pitäisi käynnistyä heti uudelleen.
- Kun sekoittimen pää on nostettu ylös, valmiusmerkkivalo sammuu. Valo syttyy valmiustilan merkiksi, kun pää lasketaan alas.

## vihjeitä

- Kääntelytoiminnon **Q** avulla voit sekoittaa kevyitä aineosia raskaiksi seoksiksi esimerkiksi marenkien, moussejen, hedelmäjätkiruokien, pikkuleipätaikinoiden ja kohokkaiden valmistamiseksi sekä jauhojen ja kuivattujen hedelmien sekoittamiseksi kakkutaikinoihin. Sekoitin toimii jatkuvasti hitaalla nopeudella.
- Jotta aineosat sekoittuvat perusteellisesti, keskeytä sekoittaminen ja kaavi aineosat kulhon reunoilta sen pohjalle lastan avulla.

- Huoneenlämpöiset kananmunat vatkaautuvat parhaiten.
- Varmista ennen munanvalkuaisien vatkaamista että, kulhossa tai vispilässä ei ole rasvaa tai munankeltuaita.
- Käytä murotaikinaan kylmiä aineksia, ellei ohjeessa mainita toisin.
- Kun vaahdotat rasvaa ja sokeria kakkutaikinaa varten, käytä aina huoneenlämpöistä rasvaa tai pehmitä se ensin.
- Yleiskoneeseen on hidaskäynnistystoiminto roiskumisen vähentämiseksi. Jos kulhossa on paksua seosta, kuten leipätaikinaa, valitun nopeuden saavuttaminen voi kestää hetken ajan.

## elektroninen nopeudentunnistin

Vatkaimessa on elektroninen nopeudentunnistin, joka ylläpitää nopeutta erilaisissa kuormituksissa, kuten leipätaikinaa alustettaessa tai munia lisättäessä kakkutaikinaan. Koneen nopeudessa voi kuulua vaihtelua toiminnan aikana, kun vatkein asettuu oikealle nopeudelle kuormituksen mukaan – tämä on normaalia.

## tärkeitä tietoja kääntelytyökalun käyttämisestä

- Älä käytä suurta nopeutta. Kääntelevä onnistuu parhaiten hitaalla nopeudella.
- Kääntelytyökalua ei ole tarkoitettu kuumien aineosien sekoittamiseen. Anna aineosien jäähtyä ennen niiden sekoittamista kääntelytyökalun avulla.
- Älä vatkaa munanvalkuaisia tai kermää liikaa. Jos seos on liian tiivistä, seosta ei voi sekoittaa kääntelytyökalun avulla.
- Älä kääntelevä seosta liian pitkään. Muutoin ilma poistuu seoksesta, ja siitä

# sekoitin

tulee liian löysää. Lopeta kääntelevminen, kun seos on tarpeeksi kiinteää.

- Lastoihin tai kulhon reunoihin kiinni jääneet ainesosat on sekoitettava joukkoon varovasti kaapimien avulla.

## tärkeitä tietoja leivän leipomisesta

- Älä koskaan ylitä enimmäismääriä. Muutoin laite ylikuormittuu.
- Jos sekoittaminen muuttuu työlääksi,

katkaise virta, poista puolet taikinasta ja vaivaa taikinanpuolikkaat erikseen.

- Ainekset sekoittuvat parhaiten, jos neste laitetaan ensin.
- Pysäytä kone ajoittain ja kaavi taikina pois taikinakoukusta.
- Tarvittava nesteen määrä vaihtelee suuresti jauhojen mukaan. Taikinan tahmeus vaikuttaa huomattavasti laitteeseen kohdistuvaan kuormitukseen. Kun taikinaa sekoitetaan, tarkkaile laitetta.

nopeussuositustaulukko ja maksimikapasiteetit				
Nämä ovat ainoastaan ohjeita ja voivat vaihdella riippuen astiassa olevan seoksen määrästä ja käytetyistä ainesosista.				
väline/osa	toiminto	nopeus	maksimi-aika	maksimikapasiteetit
Vispilä	Munanvalkuaiset	Max	3 min	2 – 12 (455 g)
	Kerma		2 – 3 min	1 litra
Vatkain	Valmiit leivontaseokset	Max	2 min	Kokonaispaino 2 kg 10 munaa vatkattuna
	Rasvan hierominen jauhoihin	Min - 2	2 – 3 min	680 g jauhoja
	Veden lisääminen taikinan joukkoon	Min	30 sek	
Vaahdotusvatkain	Hedelmäkakku			Kokonaispaino 2,72 kg 9 munaa vatkattuna
	Rasvan ja sokerin vaahdottaminen	Max	1,5 – 3,5 min	
	Munien lisääminen	Max	1 – 2 min	
	Esimerkiksi jauhojen ja hedelmien sekoittaminen	Nopeus min – 1	30 sek – 1 min	
Taikinakoukku	Leipätaikina (hiivataikina)	Min - 1	5 min	Jauhojen paino 1,35 kg Kokonaispaino 2,17 kg

\* Keskikokoisia kananmunia (paino 53–63 g)

# sekoitin

määräsuositustaulukko - kääntelytyökalu							
Ruokaohjeen	Työväline	Aineosat	Vähimmäis- määrä	Enimmäis- määrä	Nopeussuositus	Aika-arvio (kääntelemisen, ellei muu- ta ole mainittu)	Vihjeitä ja neuvoja
Sienikakku	Vatkain	Kananmunat	3	9	Enintään	4 - 5 minuuttia	Vatkaa kananmunat ja sokeri paksuksi vaaleaksi kermamaiseksi seokseksi.
	Kääntelytyökalu	Jauhot	85 g	250 g	Kääntelytoiminto	2 - 8 minuuttia	Kaada jauhot leivinpaperiarkille. Muotoile sen reunaan kaatonokka. Lisää jauhot seokseen vähitellen käyttämällä kääntelytoimintoa. Aikaa voi kuluu jopa 8 minuuttia. Odotä ennen seuraavan jauhoerän lisäämistä, että edellinen erä on ehtinyt sekoittua kunnolla seoksen joukkoon.
		Seos yhteensä	350 g	1 kg			
Kohokkaat	Vatkain	Kananmunat	2	6	Enintään	1 minuutti	Vatkaa joukkoon neljännes valkuisvaahdosta nopeudella 3 ennen lopun valkuisvaahdon sekoittamista.
	Kääntelytyökalu	Seos yhteensä	300 g	900 g	Kääntelytoiminto	1 minuutti	
Hedelmäjalkiruokat	Vatkain	Kerma	125 ml	600 ml	Enintään	Enintään 1-2 minuuttia	
	Kääntelytyökalu	Hedelmäpyree	80 g	400 g	Kääntelytoiminto	1 - 2 minuuttia	
Suklaamousse	Vatkain	Seos yhteensä	600 g	1,5 kg	Enintään	2½ minuuttia	Lisää sulatettu suklaa seokseen. Kääntele kaikki sekaisin. Kääntele munanvalkuaiset joukkoon vähitellen.
	Kääntelytyökalu				Kääntelytoiminto		
Macaroon-leivokset	Vatkain	Seos yhteensä	400 g	900 g	Enintään	1 minuutti	
	Kääntelytyökalu				Kääntelytoiminto		

\* Tämä on vain suositus. Aika vaihtelee ruokaohjeen ja käsiteltävien aineosien mukaan.  
Kananmunien koko = keskikoko (53g – 63g).

# roiskesuojan asennus ja käyttö

- 1 Nosta kiinnitysvartta, kunnes se lukkiutuu.
  - 2 Aseta kulho kiinnitysalustan päälle.
  - 3 Työnnä roiskesuoja kiinnitysvarren **6** alapuolelle tukevasti paikalleen. Saranallinen osa tulee sijoittaa kuvan mukaisesti.
  - 4 Työnnä tarvittava työväline paikalleen.
  - 5 Laske kiinnitysvarsi alas.
- Sekoituksen aikana aineksia voidaan lisätä suoraan kulhoon roiskesuojan saranallisen osan kautta **7**.
  - Roiskesuojaa ei tarvitse irrottaa työvälinettä vaihdettaessa.
- 6 Roiskesuoja irrotetaan nostamalla sekoitinvarsi ja työntämällä roiskesuoja alas.

## työvälineen säätäminen

### **K-vatkain, vispilä, vaahdotusvatkain ja kääntelytyökalu**

Työvälineiden korkeus kulhossa on säädetty tehtaalla oikeaksi. Niitä ei yleensä tarvitse säätää.

Voit säätää työkalua käyttämällä tarkoitukseen soveltuvaa 15 mm:n kiintoavainta.

Tee näin.

- 1 Irrota laitteen pistoke pistorasiasta.
- 2 Kohota sekoituspäätä ja aseta vispilä tai vatkain paikalleen.
- 3 Laske sekoituspää alas. Jos etäisyyttä on säädettävä, nosta sekoituspää ja irrota työväline. Vispilän, K-vatkaimen ja kääntelytyökalun tulee **melkein** koskettaa kulhon pohjaa **8**.

#### **vaahdotusvatkain**

- Sen tulee koskettaa kulhon pintaa, jotta se pyyhkii kulhoa kevyesti sekoittamisen aikana **13**.

- 4 Löysennä mutteria sopivan kiintoavaimen avulla, jotta voit säätää vartta **9** tai **14**. Voit laskea työvälinettä lähemmäs kulhon pohjaa kääntämällä akselia vastapäivään. Voit nostaa työvälinettä kauemmas kulhon pohjasta kääntämällä akselia myötäpäivään.
  - 5 Kiristä mutteri.
  - 6 Aseta yleiskoneeseen työväline ja laske sekoituspää alas. Tarkista sijainti edellä kuvatulla tavalla.
  - 7 Toista edelliset toimet, kunnes työväline on oikeassa asennossa. Kun asento on oikea, kiinnitä mutteri kunnolla.
- **Huomautus: Kiintoavain esitetään vain havainnollistamisen vuoksi.**

#### **Taikinakoukku**

Tämän työvälineen asento on säädetty tehtaalla, joten sitä ei tarvitse säätää.

# ongelmanratkaisuohe

<b>Ongelma</b>	<b>Syy</b>	<b>Ratkaisu</b>
K-vatkain tai vispilä osuu kulhon pohjaan tai ei ulotu pohjalla sijaitseviin aineosiin.	Työvälineen korkeus on väärä. Sitä on säädettävä.	Säädä korkeutta oikean kokoisen kiintoavaimen avulla. Lisätietoja on Työvälineen säätäminen -kohdassa.
Kun yleiskoneen pistoke työnnetään pistorasiaan, valmiustilan merkkivalo vilkkuu.	Nopeudensäädin ei ole O-asennossa.	Käännä nopeudensäädin O-asentoon.
Yleiskone pysähtyy käytön aikana. Valmiustilan merkkivalo vilkkuu nopeasti.	Ylikuormitus- tai ylikuumenemissuojaus on lauennut. Enimmäiskapasiteetti on ylitetty.	<p>Irrota pistoke pistorasiasta. Tarkista, ettei yleiskonetta ylikuormiteta ja että siinä ei ole toimintaa haittaavia esteitä. Käännä nopeudensäädin O-kohtaan ja käynnistä yleiskone uudelleen.</p> <p>Jos laite ei käynnisty, poista aineosia kuormituksen vähentämiseksi ja käynnistä laite uudelleen.</p> <p>Jos ongelma ei ratkea, irrota pistoke pistorasiasta ja anna laitteen jäähtyä 15 minuuttia. Työnnä pistoke pistorasiaan ja valitse toinen nopeus.</p> <p>Jos laite ei käynnisty näistä toimista huolimatta, kysy neuvoa asiakaspalvelusta.</p>
Valmiustilan merkkivalo vilkkuu hitaasti, ja pistoke on pistorasiassa.	Yleiskoneeseen on ollut virta kytkettynä 30 minuuttia, ja se on siirtynyt vIRRANSÄÄSTÖtilaan.	Nollaa laite kääntämällä nopeudensäädin min-asentoon ja takaisin O-asentoon.

# puhdistaminen ja huoltaminen

## hoitaminen ja puhdistaminen

- Kytke virta pois päältä ja irrota pistoke pistorasiasta aina ennen puhdistusta.

### moottoriosia ja aukon kansi

- Pyyhi kostealla kankaalla ja kuivaa.
- Älä upota veteen äläkä käytä hankaavia aineita.
- Aseta ylimääräinen virtajohto säilytystilaan ⑩ laitteen takaosaan.

### kulho ruostumatonta terästä

- Pese käsin ja kuivaa perusteellisesti tai pese astianpesukoneessa.
- Älä puhdista ruostumattomasta teräksestä valmistettua kulhoa teräsharjan tai -villan avulla. Älä käytä valkaisuaineita. Poista kalkkikerrostumat etikalla.
- Pidä kaukana lämmönlähteistä, kuten liedestä, uunista tai mikroaaltouunista.

### työvälineet ja roiskesuoja

- Pese käsin ja kuivaa perusteellisesti tai pese astianpesukoneessa.

### vaahdotusvatkain

- Irrota joustava kaavin työkalusta aina ennen puhdistamista ⑮.
- Pese joustava kaavin ja työkalu lämpimän veden ja pesuaineen avulla. Kuivaa perusteellisesti. Osat voidaan myös pestä astianpesukoneessa.

Huomautus: Tarkista työkalun rungon kunto ennen käyttämistä ja käyttämisen jälkeen. Tarkista myös kaavin säännöllisesti. Jos se on kulunut, vaihda se.

## lasikulho

- Pese kulho lämpimässä vedessä, jossa on pesuainetta, ja kuivaa perusteellisesti.
- Voit pestä kulhon myös astianpesukoneessa.
- Huomautus: Kulhon pohjan kauluksen voi irrottaa ja pestä samalla tavalla. Voit irrottaa kauluksen kääntämällä tyhjän kulhon ylösalaisin ja kääntämällä kaulusta vastapäivään.



# huolto ja asiakaspalvelu

- Jos laitteen käyttämisen aikana ilmenee ongelmia, katso lisätietoja käyttöohjeen ongelmanratkaisuohteista tai siirry osoitteeseen [www.kenwoodworld.com](http://www.kenwoodworld.com) ennen avun pyytämistä.
- Tuotteesi takuu koostuu sen varsinaisesta takuusta ja ostomaan kuluttajansuojasta.
- Jos Kenwood-tuotteesi vikaantuu tai siihen tulee toimintahäiriö, toimita tai lähetä se valtuutettuun KENWOOD-huoltokorjamon. Löydät lähimmän valtuutetun KENWOOD-huoltokorjaamon tiedot osoitteesta [www.kenwoodworld.com](http://www.kenwoodworld.com) tai maakohtaisesta sivustosta.
- Kenwood on suunnitellut ja muotoillut Iso-Britanniassa.
- Valmistettu Kiinassa.



## **TÄRKEITÄ TIETOJA TUOTTEEN HÄVITTÄMISEKSI OIKEIN SÄHKÖ- JA ELEKTRONIIKKALAITEROMUSTA ANNETUN ASETUKSEN MUKAISESTI (WEEE)**

Tuotetta ei saa hävittää yhdessä tavallisten kotitalousjätteiden kanssa sen lopullisen käytöstä poiston yhteydessä.

Vie se paikallisten viranomaisten hyväksymään kierrätyskeskukseen tai anna se jälleenmyyjän hävitettäväksi, mikäli kyseinen palvelu kuuluu jälleenmyyjän toimialaan. Suojelet luontoa ja vältä virheellisen tai väärän romutuksen aiheuttamilta terveysriskeiltä, mikäli hävität kodinkoneen erillään muista jätteistä. Näin myös kodinkoneen sisältämät kierrätettävät materiaalit voidaan kerätä talteen, jolloin säästät energiaa ja luonnonvaroja.

Tuotteessa on ristillä peitetty roskasäiliön merkki, jonka tarkoituksena on muistuttaa että kodinkoneet on hävitettävä erikseen muista kotitalousjätteistä.

## Kenwood mutfak robotunuzu tanıyın

### güvenlik

- Bu talimatları dikkatle okuyun ve gelecekteki kullanımlar için saklayın.
- Tüm ambalajları ve etiketleri çıkartın.
- Fiş veya kablo hasar görürse, güvenlik nedeniyle, tehlikeye yol açmaması için Kenwood ya da yetkili bir Kenwood tamircisi tarafından değiştirilmelidir.
- Aygıtın parçalarını takarken, çıkarırken , kullanımdan sonra ve temizlemeden önce, aygıtın fişini prizden çekiniz.
- Parmaklarınızı aygıtın hareketli parçalarından ve takılı donatılardan uzakta tutunuz. Parmaklarınızı ve mutfak gereçlerini aygıtın döner parçalarına sokmayınız.
- Mutfak Robotu çalışırken asla başından ayrılmayın.
- Hasarlı aygıtları hiçbir biçimde kullanmayınız. Aygıtı denetimden geçirtiniz ya da onarıma gönderiniz. Bu konuda. sayfadaki 'servis ve müşteri hizmetleri' bölümüne bakınız.
- Kabloyu çocukların erişebileceği bir yerde asla bırakmayın.
- Güç ünitesi, kordon veya fişi hiç bir zaman ıslatmayın.
- Onaysız uzatma veya her iki prizi aynı anda asla kullanmayın.
- Sayfada belirtilen azami kullanım miktarlarını aşmayınız.
- Eklenti kullanırken birlikte gelen güvenlik bilgisini okuyun.
- Kase aletlerini çıkartırken dikkatli olun, uzun süreli kullanımdan sonra sıcak olabilirler.
- Ağır olduğu için cihazı kaldırırken çok dikkatli olun. Kafanın kilitli olduğundan ve kasenin, araçların, dış kapağın ve kablonun kaldırmadan önce güvenli olduğundan emin olun.
- Cihazı taşıırken daima altlık tabandan ve mikser kafasından kaldırın. Cihaz kase tutamadığından tutarak KALDIRMAYIN.
- Mikser kafasına bir eklenti takılıyken hareket ettirmeyin veya kaldırmayın, bunu yapmak Mutfak Robotunu dengesizleştirebilir.

- Cihazınızı bir çalışma yüzeyinin kenarında kullanmayın.
- Bu cihaz çocuklar tarafından kullanılmamalıdır. Cihazı ve kordonunu çocukların erişemeyeceği yerde tutun.
- Çocuklar cihazla oynamamaları gerektiği konusunda bilgilendirilmelidir.
- Cihazın hatalı kullanımı yaralanmaya neden olabilir.
- Bu cihaz, fiziki, algılama ya da zihinsel kapasiteleri yetersiz kişiler tarafından ya da yeterli deneyimi olmayan kişilerce gözetim altında olmaları ve cihazın güvenli şekilde kullanımına ilişkin talimatları almaları ve olası tehlikeleri anlamaları şartıyla kullanılabilir.
- Bu cihazı sadece iç mekanlarda kullanım alanının olduğu yerlerde kullanın. Kenwood, cihaz uygunsuz kullanımlara maruz kaldığı ya da bu talimatlara uyulmadığı takdirde hiç bir sorumluluk kabul etmez.

### **Cam kase**

- **Kullanmadan önce, kase aletlerinizin doğru yükseklikte ayarlandığından ve kasenin tabanı ile temas etmediğinden emin olun – “alet ayarlama” bölümüne bakın.**
- Cam kasenin hasar görmemesi için fırın ya da ocak üstü gibi yüksek ısı kaynakları ile temas etmemesine dikkat edin.
- Cam kase mikro dalga fırında kullanılabilir.

### **Özel Bakım Talimatları**

Cam doğal bir maddedir, kasenin üretimi sırasında mükemmel görünüm sağlamak için son derece titiz davranılmıştır, ancak yine de küçük kusurlar olabilir ve bu normaldir, bunlar kasenin performansını etkilemezler.

#### **fişe takmadan önce**

- Aygıtı kullanmadan önce evinizdeki elektrik akımının aygıtta belirtilen akımla aynı olduğundan emin olunuz.
- **UYARI: BU CİHAZ TOPRAKLANMALIDIR.**

- Bu cihaz gıda ile temas eden malzemeler ve maddeler ile ilgili EC 1935/2004 Yönetmeliğine uygundur.

#### **ilk kullanımdan önce**

- Parçaları yıkayın: ‘bakım ve temizlik’ bölümüne bakın.

# mikser

## parçalar

- ① mikser kafası
- ② ek çıkışı
- ③ dış kapak
- ④ alet soketi
- ⑤ kase
- a paslanmaz çelik (sağlanmışsa)
- b cam (sağlanmışsa)
- ⑥ açma/kapama ve hız kontrolü
- ⑦ mikser hazır göstergesi ışığı
- ⑧ mikser gövdesi
- ⑨ kafa açma kolu
- ⑩ kablo saklama
- ⑪ K çırpıcı
- ⑫ çırpma
- ⑬ spiral hamur kanca
- ⑭ krema çırpıcı (sağlanmışsa)
- ⑮ hamur karıştırıcı (sağlanmışsa)
- ⑯ spatula
- ⑰ sıçrama koruyucusu

## mikser parçaları ve bazı kullanım alanları

### K çırpıcı

- Kek, bisküvi, pasta ürünleri, kaplama, dolgu, ekler ve patates püresi yapmak için.

### çırpma

- Yumurta, krema, pasta hamuru, yağsız sünger kek, beze, cheesecake, mousse ve sufler için. Çırpıcıyı yoğun karışımlarda kullanmayın (örn. yağ ve şeker kremalaştırma) -hasar verebilirsiniz

### hamur kancası

- Sadece mayalı karışımlar için.

### hamur karıştırıcı

- Hamur karıştırıcı hafif malzemeleri daha ağır karışımların içine karıştırmak, örn. mereng, mus, kremalı meyve

tatlısı, Ceneviz Keki, sufler gibi ve kek karışımlarına unu karıştırmak tasarlanmıştır. Hamur, krema yağı ve hepsi bir arada kek karışımları gibi akışkan olmayan tarifler için kullanılmamalıdır.

### krema çırpıcı

- Krema çırpıcı krema hazırlamak ve yumuşak malzemeleri karıştırmak için dizayn edilmiştir. Hamur veya meyve çekirdekleri, kemik ya da kabuk içeren sert malzemeleri kullanmayın.

### Lastik kısımların takılması

- Lastik kısımlar zaten takılmış olarak teslim edilir ve temizlik için her zaman üründen çıkarılmalıdır ⑮.
- 1 Dikkatlice yuvada lastik kısım tabanını bularak araç üzerine esnek lastik kısmı takın ⑩ sonra ucu yavaşça yerine oturtmadan önce oluğun içine bir tarafı takın ⑪. Diğer taraf ile tekrarlayın ⑫.

## mikserin kullanımı

- 1 Mutfak robotunun ① arkasındaki kafa açma kolunu ⑨ kaldırın ve aynı anda kafayı ① kalkık pozisyonda ② kilitlemeye kadar kaldırın.
- 2 Gerekli olan aleti sokete yerleştirin. Sonra yukarı itin ③ ve aleti döndürerek ④ kilitleyin.
- 3 Kaseyi tabana yerleştirin. Tutamağı tam kilit açma sembolünün ⑥ üstüne yerleştirin, sonra tutamak tam kilit sembolünün ⑥ üstüne gelene kadar kaseyi yavaşça saat yönünde döndürün. Aşırı güç KULLANMAYIN ve aşırı SIKMAYIN ⑤.
- 4 Mutfak Robotunun arkasındaki kafa açma kolunu ⑨ kaldırın ve aynı anda mikser kafasını ① indirin.


# mikser

- 5 Fişi prize takın ve mikser hazır göstergesi aydınlanacaktır.
- 6 Hız kontrolünü istenilen ayara getirerek çalıştırın.
- 7 Aleti saat yönünde döndürerek alet soketi kilidini açın ve sonra çıkartın.

## önemli

- Eğer mikser kafası çalışma sırasında kalkarsa makine hemen durur. Mikseri tekrar çalıştırmak için mikser kafasını alçaltın, hız anahtarını 'O' pozisyonuna getirin, birkaç saniye bekleyin ve sonra hızı tekrar seçin. Mikser kaldığı yerden çalışmaya hemen başlayacaktır.
- Mikser kafası ne zaman yükselirse 'mikser hazır göstergesi' o zaman yanacaktır. Kafa alçaltıldığında ışık, mikserin kullanıma hazır olduğunu belirterek aydınlanacaktır.

## yararlı bilgiler

- Karıştırma fonksiyonu  hafif malzemeleri daha ağır karışımların içine karıştırmak, örn. mereng, mus, kremalı meyve tatlısı, Ceneviz Keki ve sufleler gibi ve kek karışımlarına un ve meyveleri karıştırmak tasarlanmıştır. Mikser sabit yavaş bir hızda çalışacaktır.
- Malzemelerin birbirine tamamen karışması için karıştırmayı durdurarak kasenin yanlarında kalanları bir spatula ile sıyırın.
- Yumurtaların oda ısısında çırılması daha iyi sonuç verir.
- Yumurta akını çırpmadan önce çırpma çarkında ya da çanakta donmuş yağ ya da yumurta sarısı olmadığından emin olunuz.
- Verilen tarifte kesin bir kullanım yönergesi yoksa, çörek yapmak için soğuk içerikler kullanınız.
- Kek karışımları için yoğun krema

ve şeker kullanılıyorsa, önce yoğun kremayı oda ısısında eritiniz.

- Mutfak aygıtının, dökülmeleri en aza indirmek için 'yumuşak başlama' özelliği vardır. Ancak, eğer makine kasenin içinde ekmek hamuru gibi ağır bir karışım varken çalıştırılırsa mikserin seçilen hıza erişmesinin birkaç dakika alacağını aklınızda bulundurun.

## elektronik hız algılama kumandası

Bu mikser elektronik algılama kumandası içerir ve içereklere miktarına göre hızı ayarlar. Örneğin hamur yoğururken ya da yumurtaları kek karışımına katarken. Bu yüzden, aygıtı çalıştırırken hızda değişiklikler olduğunu duyacaksınız. Bu yüzden, aygıtı çalıştırırken hızda değişiklikler olduğunu duyacaksınız. Bu durum normaldir. Çünkü, mikser içerik miktarına bağlı olarak hızı ve yükü ayarlar.

## hamur karıştırıcınızı kullanmak için önemli noktalar

- Karıştırma performansını optimize etmek için düşük hız gerektiğinden yüksek hız kullanmayın.
- Alet sıcak içerikli malzemelerde kullanım için tasarlanmamıştır, hamur karıştırıcıyı kullanmadan önce malzemelerin soğumasına izin verin.
- En iyi sonuçlar için, yumurta akı veya kremayı aşırı çırpmayın – çırpılmış karışım çok sıkı ise hamur karıştırıcının karışımı doğru şekilde karıştırmayı mümkün olmayacaktır.
- Hava dışarı atılacağından ve karışım çok gevşek olacağından karışımı çok uzun süre karıştırmayın. Karışım yeterince birleştğinde hemen durun.

# mikser

- Küreğin üzerinde veya kâse kenarında kalan her türlü karışmamış malzemeler spatula kullanılarak dikkatlice çirpilmelidir.

## ekmek yapımı ile ilgili önemli noktalar

- Maksimum kapasiteleri aşmayın – makineyi fazla yüklersiniz..
- Mikser kafasının bazı devinimleri normaldir. Aygıt zorlanıyorsa, aygıtın çalışmasını durdurunuz ve hamurun

- yarısını alınız. Her iki parça hamuru ayrı ayrı yoğurunuz.
- Önce sıvı içerikleri karıştırmak daha iyi sonuç verir.
- Aygıtı ara sıra durdurunuz ve yoğurma kancasını kazıyarak temizleyiniz.
- Farklı partilerden unlar için kullanılması gereken sıvı miktarı ciddi farklılıklar gösterebilir ve hamurun yapışkanlığı makinenin yükü üzerinde etkili olabilir. Hamur karıştırılırken, gözünüz makinenin üzerinde olmalıdır.

## önerilen hız grafiği ve maksimum kapasiteler

Bunlar sadece rehberdir ve kâsedeki karışımın ve karışan maddelerin miktarına bağlı olarak farklılık gösterecektir.

alet/eklenti	yemek tarifi türü	hız	maksimum süre	maksimum kapasiteler
Çırpma	Yumurta beyazları	Maks	3 dk.	2-12 (455g)
	Krema		2 dk. – 3 dk.	1 litre
K çırpıcı	Hepsi bir arada kek karışımları	Maks	2 dk.	2kg toplam ağırlık 10 yumurta karışımı
	Yağ ile un yoğurma Hamur işleri malzemelerini birleştirmek için su ekleme	Min ila Hız 2 Min	2 dk. – 3 dk. 30 sn	680g un
Krema çırpıcı	Meyveli Kek			2,72kg toplam ağırlıkta 9 yumurta karışımı
	Krema yağı ve şeker	Maks	1½ – 3½ dk.	
	Yumurtalar eklenir	Maks	1 dk. – 2 dk.	
	Un, meyve vb. şeyleri ekleme	Min ila Hız 1	30 san. – 1 dk.	
Hamur kancası	Ekmek hamuru (sert mayalı)	Min ila Hız 1	5 dk	1,35kg un ağırlığı 2,17kg toplam ağırlık

\* Kullanılan yumurtaların büyüklüğü = orta boy (Ağırlığı 53-63g)

# mikser

## önerilen miktar tablosu – hamur karıştırıcı

Tarif Türü	Alet	Malzemeler	Minimum Miktar	Maksimum Miktar	Önerilen Hız	Yakl. Süre (karıştırma süresi için belirtilmediyse)	İpucu ve Öneriler
Ceneviz Keki/ Çırpılmış Kek	Çırpma	Yumurta	3	9	Maks.	4 – 5 dk.	Yumurta ve şekerini kalın, mat ve kremamsı olana kadar çırpın.
	Hamur Karıştırıcı	Un	85g	250g	Karıştırma fonksiyonu	2 – 8 dk.	Unu, pişirme kâğıdı üzerine koyup ucunu huni şekline getirerek ekleyin. Karıştırma fonksiyonunu kullanarak unu karışıma azar azar ekleyin. Bu işlem 8 dakika kadar sürebilir, bu sebeple sabırlı olun ve daha fazla un ekmeden önce en son eklediğiniz unun karışımla iyice birleşmesini bekleyin.
Toplam karışım		350g	1kg				
Sufleler	Çırpma	Yumurta	2	6	Maks.	1 dk.	Önce çırpılmış yumurta beyazlarının dörtte birini hız 3'te çırpın, kalan yumurta beyazlarını sonra ekleyip çırpın.
	Hamur Karıştırıcı	Toplam karışım	300g	900g	Karıştırma fonksiyonu	1 dk.	
Kremalı Meyte Tatlıları	Çırpma	Krema	125ml	600ml	Maks.	1 – 2 dk. Maks.	
	Hamur Karıştırıcı	Meyve Püresi	80g	400g	Karıştırma fonksiyonu	1 – 2 dk.	
Çokolatalı Mus	Çırpma	Toplam	600g	1,5kg	Maks.	2½ dk.	Eritilmiş çikolatayı karışıma ekleyin ve hepsini bir kerede karıştırın. Yumurta aklarını her seferinde biraz ekleyerek karıştırın.
	Hamur Karıştırıcı				Karıştırma fonksiyonu		
Makaronlar	Çırpma	Toplam	400g	900g	Maks.	1 dk.	
	Hamur Karıştırıcı				Karıştırma fonksiyonu		

\* Yukarıdaki bilgi sadece fikir vermek içindir ve tam tarife ve işlenen malzemelere bağlı olarak değişecektir. Tabloda kullanılan yumurta ölçüleri = orta (53gr-63gr).

# sıçrama koruyucusunun takılması ve kullanımı

- 1 Karıştırıcının kafasını yerine oturuncaya kadar kaldırınız.
- 2 Çanağı tabana takınız.
- 3 Sıçrama koruyucusunu tam olarak oturuncaya kadar mikser kafasının ⑥ altına itin. Mandallanan bölüm şekilde gösterildiği gibi yerleştirilmelidir.
- 4 İstediğiniz ek parçayı takınız.
- 5 Mikserin kafasını aşağı doğru indiriniz.

- Mikserin sıçrama koruyucusunun kaldırma kanadını açarak diğer içerikleri çanağa atabilirsiniz ⑦.
- Ek parçaları değiştirmek için sıçrama koruyucusunu kaldırmanıza gerek yoktur.
- 6 Sıçrama koruyucusunu çıkarmak için karıştırıcının kafasını kaldırınız ve aşağı doğru itiniz.

## alet ayarlama

### K-çırpıcı, Çırpma, Krema çırpıcısı ve hamur karıştırıcı

Aletler fabrika çıkışında kase için doğru yüksekliğe ayarlanmıştır ve ayarlama gerektirmez.

Bununla birlikte, aleti ayarlamak isterseniz doğru ölçüde 15mm anahtar kullanın:

Sonra aşağıdaki talimatları uygulayın:

- 1 Aleti fişten çekin.
- 2 Mikser kafasını kaldırın ve çırpıcıları veya karıştırma aletini takın.
- 3 Mikser kafasını indirin. Eğer açıklığın ayarlanması gerekiyorsa mikser kafasını kaldırın ve aleti çıkarın. En iyi performans için çırpıcı, K-çırpıcı ve hamur karıştırıcı **neredeyse** kasenin ⑧ tabanına temas etmelidir.

#### krema çırpıcı

- İdeal olarak kase yüzeyi ile temas etmelidir ki karıştırma sırasında kaseyi temizleyebilsin ⑬.

- 4 Uygun somun anahtarı ile milin ayarlanmasını sağlayarak somunu yeterince sıkıştırın ⑨ veya ⑭. Aleti kâsenin tabanına yaklaştırmak için mili saat yönünün tersine çevirin. Aleti kâsenin tabanından uzaklaştırmak için mili saat yönüne çevirin.
- 5 Somunu tekrar sıkıştırın.
- 6 Aleti miksera takın ve mikser kafasını alçaltın. (Pozisyonunu kontrol edin, yukarıdaki noktalara bakın).
- 7 Alet düzgün yerleşene kadar gerekli oldukça yukarıdaki adımları tekrar edin. Bu sağlandığında somunu güvenle sıkıştırın.
- **Not: Somun anahtarı sadece temsili olarak gösterilmiştir.**

#### Hamur Kancası

Bu alet fabrika tarafından ayarlanmıştır ve ayar gerektirmez.



# sorun giderme kılavuzu

<b>Problem</b>	<b>Nedeni</b>	<b>Çözüm</b>
Çırpma veya K çırpıcı kasenin dibine vuruyor veya kasenin dibindeki malzemelere ulaşmıyor.	Alet yanlış yükseklikte ve ayarlanması gerekli.	Uygun somun anahtarı kullanarak yüksekliği ayarlayın – “Alet Ayarlama” bölümüne bakın.
Mutfak Robotu fişe ilk takıldığında ‘Mikser hazır gösterge ışığı’ yanıp sönüyor.	Hız kontrolü ‘O’ pozisyonunda değil.	Kontrol edin ve hız kontrolünü ‘O’ pozisyonuna getirin.
Mutfak Robotu çalışma sırasında duruyor. ‘Mikser hazır gösterge ışığı’ hızla yanıp sönüyor.	Aşırı yük koruma veya aşırı ısınma sistemi aktif. Maksimum kapasite aşıldı.	Fişten çekin ve engelleme ya da aşırı yükleme için kontrol edin. Hız kontrolünü ‘O’ a çevirin ve yeniden çalıştırın. Makine çalışmazsa, malzemenin bir kısmını çıkartarak yükü azaltın ve tekrar çalıştırın. Bu da sorunu çözmezse, fişten çekin ve 15 dakika bekleyin. Fişe takın ve istediğiniz hızı seçin. Yukarıdaki prosedürlerden sonra makine hala çalışmazsa, daha fazla tavsiye için “müşteri hizmetleri” ile görüşün.
Makine fişe takıldığında ‘Mikser hazır gösterge ışığı’ yavaş yanıp sönüyor.	Mutfak Robotu 30 dakikadan daha uzun süre kullanılmadan açık bırakıldı ve bekleme moduna geçti.	Makineyi sıfırlamak için hız kontrolünü ‘min’ yapın sonra ‘O’ yapın.

# temizlik ve servis

## **bakım ve temizlik**

- Temizlemeye başlamadan önce aygıtın çalışmasını durdurunuz ve fişini prizden çekiniz.

### **güç ünitesi, çıkış kapağı**

- Nemli bir bezle silin, sonra kurulaşın.
- Asla suya batırmayın veya çözücü temizleyiciler kullanmayın.
- Kablonun fazlalığını makinenin arkasındaki kablo saklama bölmesine ⑩ yerleştirin.

### **paslanmaz çelik kase**

- Elde yıkayın, sonra iyice kurulaşın ve bulaşık makinasında yıkayın.
- Paslanmaz çelik tencerenizi temizlemek için hiçbir zaman tel fırça, sert yün veya çamaşır suyu kullanmayın. Kireç temizliği için sirke kullanın.
- Sıcaktan uzak tutun (pişirici üstleri, ocaklar, mikro dalgalar).

### **aletler ve sıçrama koruyucu**

- Elde yıkayın, sonra iyice kurulaşın ve bulaşık makinasında yıkayın.

### **krema çırpıcı**

- Temizlemeden önce daima araçtan esnek lastik kısmı çıkarın ⑮.
- Lastik kısmı ve aleti sıcak sabunlu su ile yıkayın ve güzelce kurulaşın. Alternatif olarak aşağıdaki parçalar bulaşık makinesinde yıkanabilir.

Not: Lütfen kullanmadan önce ve sonra aletin gövdesinin ne durumda olduğunu kontrol edin, ayrıca lastik kısımları da düzenli olarak kontrol edin ve aşınmaya başladıkları takdirde değiştirin.

### **cam kase**

- Kaseyi sıcak sabunlu su ile yıkayın sonra iyice kurulaşın.
- Alternatif olarak kase bulaşık makinesinde de yıkanabilir.
- Not: Kasenin tabanındaki bilezik çıkartılabilir ve aynı şekilde yıkanabilir. Bileziği çıkartmak için boş kaseyi ters çevirin ve bileziğin vidasını saat yönünün tersinde çevirerek çıkartın.

## servis ve müşteri hizmetleri

- Cihazınızın çalışması ile ilgili herhangi bir sorun yaşıyorsanız, yardım istemeden önce bu kılavuzdaki “sorun giderme kılavuzu” bölümüne bakın veya [www.kenwoodworld.com](http://www.kenwoodworld.com) adresini ziyaret edin.
- Lütfen unutmayın, ürün ürünün satıldığı ülkedeki mevcut tüm garanti ve tüketici hakları ile ilgili yasal mevzuata uygun bir garanti kapsamındadır.
- Kenwood ürününüz arızalanırsa veya herhangi bir kusur bulursanız yetkili KENWOOD Servis Merkezine gönderin veya götürün. Size en yakın yetkili KENWOOD Servis Merkezinin güncel bilgilerine ulaşmak için [www.kenwoodworld.com](http://www.kenwoodworld.com) adresini veya ülkenize özel web sitesini ziyaret edin.
- Kenwood tarafından İngiltere’de dizayn edilmiş ve geliştirilmiştir.
- Çin’de üretilmiştir.



### **ÜRÜNÜN ATIK ELEKTRİKLİ VE ELEKTRONİK EKİPMANIN BERTARAF EDİLMESİNE İLİŞKİN AVRUPA DİREKTİFİNE UYGUN ŞEKİLDE BERTARAF EDİLMESİ HAKKINDA ÖNEMLİ BİLGİ (WEEE)**

Kullanım ömrünün sonunda ürün evsel atıklarla birlikte atılmamalıdır. Ürün yerel yetkililerce belirlenmiş atık toplama merkezine veya bu hizmeti sağlayan bir satıcıya götürülmelidir. Ev aletlerinin ayrı bir şekilde atılması çevre üzerindeki olası negatif etkileri azaltır ve aynı zamanda mümkün olan malzemelerin geri dönüşümünü sağlayarak önemli enerji ve kaynak tasarrufu sağlar. Ev aletlerinin ayrı olarak atılması gerekliliğini hatırlatmak amacıyla üzeri çarpı ile işaretlenmiş çöp kutusu resmi kullanılmıştır.

## seznamte se se svým kuchyňským robotem Kenwood

### **bezpečnost**

- Přečtěte si pečlivě pokyny v této příručce a uschovejte ji pro budoucí použití.
- Odstraňte veškerý obalový materiál a nálepky.
- Pokud by došlo k poškození napájecího kabelu, je z bezpečnostních důvodů nutné nechat ho vyměnit od firmy Kenwood nebo od autorizovaného servisního technika firmy Kenwood, aby se předešlo nebezpečí.
- Před montáží či demontáží nástrojů/příslušenství a po použití a před čištěním spotřebič vypněte a zástrčku vytáhněte ze zásuvky.
- Nestrkejte prsty do blízkosti pohybujících se součástí a přídavných zařízení.
- Spuštěný kuchyňský robot nenechávejte bez dozoru.
- Nepoužívejte, jeli spotřebič poškozen. Dejte ho přezkoušet či spravit: viz 'servis a údržba'.
- Napájecí kabel nikdy nenechte viset z přístroje, aby za něj mohly zatáhnout děti.
- Pohonnou jednotku, napájecí a zástrčku nikdy nenamáčejte.
- Nikdy nepoužívejte neschválené příslušenství nebo oba vývody najednou.
- Nepřekračujte maximální množství uvedená.
- Před použitím příslušenství si přečtěte bezpečnostní pokyny uvedené v jeho návodu.
- Při odpojování nástrojů k míse po delším používání buďte opatrní, protože mohou být horké.
- Buďte opatrní při zvedání tohoto spotřebiče, protože je těžký. Ujistěte se, že je zajištěná hlavice a že mísa, nástavce, kryt vývodu a přívodní šňůra jsou před zvedáním zabezpečeny.

- Při přenášení přístroj vždy zvedejte za základnu podstavce a rameno mixéru. NEZVEDEJTE a nepřenášejte přístroj pomocí rukojeti mísy.
- S hlavicí mixéru, ke které je připojen nástavec, nehýbejte ani ji nezvedejte, protože byste ohrozili stabilitu kuchyňského robotu.
- Nepoužívejte spotřebič blízko hrany pracovní plochy.
- Tento spotřebič nesmějí používat děti. Spotřebič a jeho kabel musí být mimo dosah dětí.
- Dohlédněte, aby si děti s přístrojem nehrály.
- Nesprávné používání spotřebiče může způsobit zranění.
- Osoby se sníženými fyzickými, smyslovými nebo mentálními schopnostmi nebo s nedostatkem zkušeností a znalostí mohou spotřebič používat v případě, že jsou pod dozorem nebo byly poučeny o bezpečném používání spotřebiče a chápou rizika, která jsou s používáním spojená.
- Toto zařízení je určeno pouze pro domácí použití. Společnost Kenwood vylučuje veškerou odpovědnost v případě, že zařízení bylo nesprávně používáno nebo pokud nebyly dodrženy tyto pokyny.

### **Skleněná mísa**

- **Před použitím zkontrolujte, zda jsou nástroje k míse nastavené na správnou výšku a nedotýkají se dna mísy – viz část „nastavení nástrojů“.**
- Aby se skleněná mísa nepoškodila, zabraňte jejímu kontaktu se zdroji velkého tepla, jako je trouba nebo plotna sporáku.
- Skleněná mísa se smí používat v mikrovlnné troubě.

### **Speciální pokyny k péči**

Sklo je přírodní materiál. Při výrobě této mísy jsme se snažili zaručit dokonalý vzhled, přesto však mohou být viditelné nějaké drobné vady. To je normální a očekávatelné a nijak to neovlivňuje funkci mísy.

## před zapojením

- Přesvědčte se, že vaše elektrická zásuvka odpovídá zásuvce uvedené na spodní straně přístroje.
- **VAROVÁNÍ: TENTO SPOTŘEBIČ MUSÍ BÝT UZEMNĚNÝ.**

## mixér

### popis

- ① hlavice mixéru
- ② vývod pro příslušenství
- ③ kryt vývodu
- ④ vývod pro nasazení nástavce
- ⑤ mísa
  - a nerezová (pokud je součástí balení)
  - b skleněná (pokud je součástí balení)
- ⑥ vypínač a přepínač rychlosti
- ⑦ světelný indikátor připravenosti robota
- ⑧ pohonná jednotka robota
- ⑨ páčka k uvolnění hlavice
- ⑩ úložný prostor pro kabel
- ⑪ K-metla
- ⑫ šlehací metla
- ⑬ spirálový hnětací hák
- ⑭ stírací metla (pokud je součástí balení)
- ⑮ metla pro vmíchávání (pokud je součástí balení)
- ⑯ stěrka
- ⑰ kryt proti stříkání

### mixovací nástroje a příklady jejich použití

#### K-metla

- Pro přípravu dortů, sušenek, sladkého těsta, polev, náplní, odpalovaného těsta a bramborové kaše.

#### šlehací metla

- Na vejce, smetanu, litá těsta, piškoty bez tuku, pusinky, cheesecaky, pěny, bublaniny. Šlehací metlu nepoužívejte

- Tento spotřebič splňuje nařízení ES č. 1935/2004 o materiálech a výrobcích určených pro styk s potravinami.

### před prvním použitím

- Omyjte jednotlivé části: viz část „údržba a čištění“.

na husté směsi (např. šlehání tuku s cukrem) – mohla by se poškodit.

#### hnětací hák

- Pouze na kynutá těsta.

#### metla pro vmíchávání

- Míchací nástavec je určen pro vmíchání řídkých či sypkých ingrediencí do hustších směsí, například na přípravu sněhových pusinek, pěny, ovocných pohárů, piškotů, bublanin a pro vmíchání mouky do směsí na dorty. Není určen pro přípravu velmi hustých směsí, jako je těsto, šlehání tuku s cukrem nebo směsi na buchty.

#### stírací metla

- Stírací metla slouží ke šlehání a míchání jemných ingrediencí. Nepoužívejte ji na hutné směsi, například tuhá těsta, ani na tvrdé ingredience, například takové, které obsahují pecky, kosti nebo skořápky.

#### nasazení stěrky

- Stěrka se dodává už nasazená a při čištění ji vždy sundejte ⑮.
- 1 Opatrně flexibilní stěrku nasadte na metlu tak, že základnu stěrky zasunete do otvoru ⑩ a pak jednu stranu nasadíte do drážky a konec jemně zaháknete do správné polohy ⑪. To samé opakujte s druhou stranou ⑫.

# mixér


## používání mixéru

- 1 Zvedněte páčku k uvolnění hlavice ⑨ na zadní straně kuchyňského robotu ❶ a současně zvedněte hlavici mixéru ❶, dokud nezaklapne ve zvednuté poloze ❷.
- 2 Do výstupu nasadte požadovaný nástroj. Pak jej zasuňte směrem nahoru ❸ a otočením ❹ zajistěte.
- 3 Osadte pracovní mísu na základnu. Umístěte rukojeť přímo nad symbol odemknutého zámku ❻, poté jemně otočte mísou po směru hodinových ručiček, dokud se rukojeť nedostane přesně nad symbol zámku ❻. Nepoužívejte NADMĚRNOU sílu a neutahujte PŘÍLIŠ ❺.
- 4 Zvedněte páčku k uvolnění hlavice ⑨ na zadní straně kuchyňského robotu a současně spusťte hlavici mixéru dolů ❶.
- 5 Zapojte do elektrické zásuvky a rozsvítí se světelný indikátor připravenosti robotu.
- 6 Zapněte otočením přepínače rychlosti na požadované nastavení.
- 7 Nástroj z výstupu uvolněte otočením ve směru hodinových ručiček a pak jej vytáhněte.

### důležité

- Pokud hlavici mixéru během provozu zvednete, robot ihned přestane pracovat. Chcete-li jej znovu spustit, sklopte hlavici mixéru, otočte přepínač rychlostí do vypnuté polohy ‚O‘, počkejte pár sekund a pak znovu zvolte rychlost. Mixér by se měl ihned znovu spustit.
- Když hlavici mixéru zvednete, světelný indikátor připravenosti robotu přestane svítit. Když hlavici spusťte, indikátor se rozsvítí na znamení, že je mixér připraven k použití.

### radý

- Funkci vmíchávání  lze používat ke vmíchávání řídkých ingrediencí do hustších směsí, například sněhových pusinek, pěn, ovocných pohárů, piškotů a bublanin, a k pomalému vmíchání mouky a ovoce do dortových směsí. Mixér použijte konstantní pomalou rychlost.
  - Chcete-li ingredience zcela promísit, přerušte mixování a setřete stěny mísy pomocí stěrky.
  - Nejlépe se šlehaají vejce, která mají pokojovou teplotu.
  - Než začnete šlehat vaječné bílky, ujistěte se, že na šlehacím nástavci nebo v míse není žádný tuk ani žloutek.
  - Při přípravě pečiva používejte studené přísady, není-li v receptu uvedeno jinak.
  - Při míchání tuku a cukru na koláčové směsi vždy používejte tuk s pokojovou teplotou, nebo ho nejprve změkčete.
  - Váš kuchyňským přístrojem je vybaven funkcí "soft start", která minimalizuje rozstříknutí při zapnutí. Nicméně, pokud zapnete robot a v míse máte tuhou směs jako je chlebové těsto, bude trvat několik vteřin než mixér dosáhne požadované rychlosti.
- ### elektronické řízení spínače rychlosti
- Mixér je vybaven elektronickým regulátorem rychlosti, který má udržovat rychlost při různých zatížení, například při hnětení chlebového těsta nebo po přidání vajec do koláčové směsi. Proto můžete za provozu slyšet určité odchylky rychlosti způsobené tím, že mixér upravuje zvolenou rychlost podle zatížení - jedná se o normální jev.

# mixér

## důležité body k používání metly pro vmíchávání

- Nepoužívejte vysokou rychlost, protože pro dosažení optimálních výsledků je potřeba nízká rychlost.
- Nástavec není určen pro míchání horkých ingrediencí, nechte je před použitím míchacího nástavce zchladnout.
- Pokud chcete dosáhnout nejlepších výsledků, nešlehejte sníh nebo šlehačku příliš dlouho, protože pokud je vyšlehaná směs příliš tuhá, nedokáže míchací nástavec směs správně promíchat.
- Nepromíchávejte směs příliš dlouho, protože by se z ní uvolnil vzduch a směs by byla příliš řídká. Jakmile je směs dostatečně promíchaná, přestaňte.
- Nerozmíchané ingredience, které zůstanou na lopatce nebo stěnách nádoby, opatrně vmíchejte pomocí stěrky.

## důležité pokyny pro přípravu chleba

- Nikdy nepřekračujte maximální objemy – přístroj byste přetížili.
- Jestliže uslyšíte, že se přístroj nadměrně namáhá, vypněte ho, odstraňte polovinu těsta a zpracujte každou polovinu zvlášť.
- Přísady se nejlépe smísí, pokud jako první nalijete tekutinu.
- V pravidelných intervalech zastavujte přístroj a seškrábejte směs z hnětacího nástavce.
- Různé druhy mouky se výrazně liší v tom, kolik potřebují vody, a lepivost těsta může mít značný vliv na to, jaké zátěži je přístroj vystaven. Doporučujeme mít přístroj během míchání těsta pod dohledem.



# mixér

tabulka doporučených rychlostí a maximálních množství				
Jedná se pouze o přibližné hodnoty, které se mohou lišit v závislosti na množství směsi v míse/nádobě a použitých ingrediencích.				
nástroj/ nástavec	typ receptu	rychlost	maximální doba	maximální množství
Šlehací metla	Bílky	Max.	3 min	2–12 (455 g)
	Smetana		2–3 min	1 litr
K-metla	Základní těsta na moučníky	Max.	2 min	Celková hmotnost 2 kg směs z 10 vajec
	Tření tuku s moukou  Přidání vody ke smíchání ingrediencí na těsto	Min. až rychlost 2  Min.	2–3 min  30 s	680 g mouky
Stírací metla	Biskupský chlebiček			Celková hmotnost 2,72 kg směs z 9 vajec
	Šlehání tuku s cukrem	Max.	1½ – 3½ min	
	Přidání vajec	Max.	1–2 min	
	Vmíchání mouky, ovoce apod.	Min. až rychlost 1	30 s–1 min	
Hnětací hák	Těsto na chleba (tuhé kynuté)	Min. až rychlost 1	5 min	1,35 g mouky Celková hmotnost 2,17 kg

\*Velikost použitých vajec = střední (hmotnost 53–63 g)

# mixér

tabulka doporučených množství – metla pro vmíchávání							
Typ receptu	Nástavec	Ingredience	Min. množství	Max. množství	Doporučená rychlost	Přibližná doba (pro vmíchání, pokud není uvedeno jinak)	Rady a tipy
Piškot	Šlehací metla	Vejce	3	9	Max.	4–5 min	Šlehejte vejce s cukrem, dokud směs nebude hustá, světlá a krémovitá.
	Míchací nástavec	Mouka	85 g	250 g	Funkce vmíchávání	2–8 min	Mouku přidávejte tak, že ji nasypete na papír, který přehnete tak, aby vznikla násypka. Mouku postupně přidávejte do směsi pomocí funkce vmíchávání. Může to trvat až 8 minut, proto buďte trpěliví a před přidáním další mouky vždy počkejte, než se předchozí várka zcela rozmíchá.
		Celá směs	350 g	1 kg			
Bublaniny	Šlehací metla	Vejce	2	6	Max.	1 min	Pomocí šlehací metly vmíchejte čtvrtinu sněhu z bílků na rychlost 3 a pak pomocí nástavce vmíchejte zbytek sněhu.
	Míchací nástavec	Celá směs	300 g	900 g	Funkce vmíchávání	1 min	
Ovocné poháry	Šlehací metla	Šlehačka	125 ml	600 ml	Max.	1–2 min max.	
	Míchací nástavec	Ovocné pyré	80 g	400 g	Funkce vmíchávání	1–2 min	
Čokoládová pěna	Šlehací metla	Celá směs	600 g	1,5 kg	Max.	2½ min	Přidejte rozpuštěnou čokoládu do směsi a promíchejte vše najednou. Vmíchejte bílky po částech.
	Míchací nástavec				Funkce vmíchávání		
Makronky	Šlehací metla	Celá směs	400 g	900 g	Max.	1 min	
	Míchací nástavec				Funkce vmíchávání		

\* Výše uvedené informace jsou jen orientační a mohou se lišit v závislosti na přesném receptu a použitých ingrediencích.

Velikost vajec v tabulce = střední (53 až 63 g).

# instalace a používání krytu proti stříkání

- 1 Zvedněte hlavici mixéru, až se zajistí v horní poloze.
  - 2 Do strojku umístěte pracovní mísu.
  - 3 Nasuňte kryt proti stříkání na spodní stranu hlavičky mixéru ⑥ tak, aby zapadl na své místo. Otočnou část je třeba umístit tak, jak je znázorněno na obrázku.
  - 4 Nasadte požadovaný nástroj.
  - 5 Spusťte hlavici mixéru.
- Při spuštění strojku je možné přiměsí přidávat do mísy přímo za běhu, a to otvírací částí krytu ⑦.
  - Chcete-li vyměnit nástroje, nemusíte kryt proti stříkání sundávat.
- 6 Kryt proti stříkání se snímá zvednutím hlavičky mixéru a stažením krytu.

## nastavení nástrojů

### Metla typu K, šlehací metla, stírací metla a metla pro vmíchávání

Nástroje jsou nastaveny na správnou výšku pro dodávanou mísu a neměly by vyžadovat další nastavování.

Pokud ale chcete výšku nástavce upravit, použijte vhodný 15mm klíč:

Pak postupujte podle pokynů níže:

- 1 Odpojte spotřebič ze zásuvky.
  - 2 Zvedněte hlavici mixéru a zasuňte šlehací metlu nebo K-metlu.
  - 3 Spusťte hlavici mixéru. Pokud je nutné výšku upravit, zvedněte hlavici mixéru a metlu sundejte. Ideálně by se šlehací metla, metla typu K a metla pro vmíchávání měly **téměř** dotýkat dna mísy ⑧.
- stírací metla**
- Ideálně by se měla dotýkat povrchu mísy tak, aby mísu během míchání jemně otírala ⑬.

- 4 Pomocí vhodného klíče dostatečně uvolněte matici, abyste mohli upravit hřídel ⑨ nebo ⑭. Chcete-li nástroj přiblížit ke dnu mísy, otočte hřídel proti směru hodinových ručiček. Chcete-li nástroj oddálit ode dna mísy, otočte hřídel ve směru hodinových ručiček.
  - 5 Utáhněte matici.
  - 6 Nasadte do mixéru nástroj a spusťte hlavici mixéru dolů. (Zkontrolujte pozici nástroje podle bodů výše).
  - 7 Podle potřeby opakujte výše uvedené kroky, dokud nebude nástroj nastavený správně. Po dosažení správné pozice pevně utáhněte matici.
- **Poznámka: Vyobrazený klíč slouží pouze pro ilustrační účely.**

#### Hnětací hák

Tento nástroj je nastaven z výroby a neměl by vyžadovat žádné další nastavování.

## průvodce odstraňováním problémů

Problém	Příčina	Řešení
Šlehací metla nebo K-metla naráží do dna mísy nebo nedosáhne na ingredience na dně mísy.	Nástroj má nesprávnou výšku a je potřeba jej nastavit.	Upravte výšku pomocí vhodného klíče – viz část „Nastavení nástrojů“.
Při prvním zapojení kuchyňského robotu bliká světelný indikátor připravenosti robotu.	Ovladač rychlosti není ve vypnuté poloze ‚O‘.	Zkontrolujte ovladač rychlosti a nastavte jej do polohy ‚O‘.
Kuchyňský robot se během provozu zastaví. Světelný indikátor připravenosti robotu rychle bliká.	Aktivovala se ochrana proti přetížení nebo přehřátí. Bylo překročeno maximální množství.	<p>Odpojte ze zásuvky a zkontrolujte případné překážky nebo příčinu přetížení.</p> <p>Ovladač rychlosti otočte do vypnuté polohy ‚O‘ a znovu spusťte.</p> <p>Pokud robot nefunguje, vyjměte část ingrediencí, abyste snížili zátěž, a znovu spusťte.</p> <p>Pokud ani tohle problém nevyřeší, odpojte ze zásuvky a nechte 15 minut stát. Zapojte do zásuvky a znovu zvolte rychlost.</p> <p>Pokud se přístroj podle výše popsaného postupu znovu nespustí, kontaktujte oddělení pro péči o zákazníky.</p>
Když je přístroj zapojený, světelný indikátor připravenosti robotu pomalu bliká.	Kuchyňský robot byl ponechán zapojený déle než 30 minut bez provozu a přešel do pohotovostního režimu.	Otočte přepínač rychlostí na „min“ a pak otočením na „O“ přístroj resetujte.

# čištění a servis

## údržba a čištění

- Před čištěním přístroj vždy vypněte a vytáhněte kabel ze zásuvky.

### pohonná jednotka a kryt vývodu

- Otřete vlhkým hadříkem, pak osušte.
- Nepoužívejte brusné materiály a nenamáčejte do vody.
- Napájecí kabel zasuňte do úložného prostoru pro kabel ⑩ na zadní straně robotu.

### nerezová mísa

- Umyjte ručně a pak důkladně osušte. Můžete také použít myčku.
- K čištění nerezové mísy nepoužívejte drátěný kartáč, drátěnku ani bělicí prostředky. K odstranění vodního kamene použijte ocet.
- Chraňte před vysokou teplotou (sporáky, trouby, mikrovlnné trouby).

### nástroje a kryt mísy

- Umyjte ručně a pak důkladně osušte. Můžete také použít myčku.

### stírací metla

- Před čištěním z nástroje vždy sundejte flexibilní stěrku ⑮.
- Flexibilní stěrku a nástroj omyjte v teplé vodě se saponátem a pak důkladně osušte. Tyto díly můžete také umývat v myčce.

Poznámka: Před a po použití zkontrolujte stav metly a pravidelně také kontrolujte stav stěrky a v případě známkem opotřebení ji vyměňte.

### skleněná mísa

- Mísu umyjte teplou vodou se saponátem a pak ji důkladně osušte.
- Mísu můžete umývat také v myčce.
- Poznámka: Kroužek na spodku mísy je odnímatelný a lze jej umývat stejným způsobem. Kroužek sejmete tak, že mísu otočíte dnem vzhůru a kroužek odšroubujete proti směru hodinových ručiček.

## servis a údržba

- Pokud při používání spotřebiče narazíte na jakékoli problémy, před vyžádáním pomoci si přečtěte část „průvodce odstraňováním problémů“ v návodu nebo navštivte stránky [www.kenwoodworld.com](http://www.kenwoodworld.com).
- Upozorňujeme, že na váš výrobek se vztahuje záruka, která je v souladu se všemi zákonnými ustanoveními ohledně všech existujících záručních práv a práv spotřebitelů v zemi, kde byl výrobek zakoupen.
- Pokud se váš výrobek Kenwood porouchá nebo u něj zjistíte závady, zašlete nebo odnesete jej prosím do autorizovaného servisního centra KENWOOD. Aktuální informace o nejbližším autorizovaném servisním centru KENWOOD najdete na webu [www.kenwoodworld.com](http://www.kenwoodworld.com) nebo na webu společnosti Kenwood pro vaši zemi.
- Vyrobeno v Číně.
- Zkonstruováno a vyvinuto společností Kenwood ve Velké Británii.



### **DŮLEŽITÉ INFORMACE PRO SPRÁVNOU LIKVIDACI VÝROBKU V SOULADU S EVROPSKOU SMĚRNICÍ O ODPADNÍCH ELEKTRICKÝCH A ELEKTRONICKÝCH ZAŘÍZENÍCH (OEEZ)**

Po ukončení doby provozní životnosti se tento výrobek nesmí likvidovat společně s domácím odpadem.

Výrobek se musí odevzdat na specializovaném místě pro sběr tříděného odpadu, zřízeném městskou správou anebo prodejcem, kde se tato služba poskytuje.

Pomocí odděleného způsobu likvidace elektrospotřebičů se předchází vzniku negativních dopadů na životní prostředí a na zdraví, ke kterým by mohlo dojít v důsledku nevhodného nakládání s odpadem, a umožňuje se recyklace jednotlivých materiálů při dosažení významné úspory energií a surovin. Pro zdůraznění povinnosti tříděného sběru odpadu elektrospotřebičů je výrobek označený symbolem přeškrtnutého odpadkového koše.

## a Kenwood konyhagép használata

### **első a biztonság**

- Alaposan olvassa át ezeket az utasításokat és őrizze meg későbbi felhasználásra!
- Távolítson el minden csomagolóanyagot és címkét!
- Ha a csatlakozódugó vagy a hálózati vezeték sérült, azt a veszélyek megelőzése érdekében biztonsági okokból ki kell cseréltetni a Kenwood vagy egy hivatalos Kenwood szerviz szakemberével.
- A keverőlapátok és a tartozékok cseréje, valamint a készülék tisztítása előtt mindig kapcsolja ki a robotgépet, és a hálózati vezetéket is húzza ki a konnektorból. Használat után is áramtalanítsa a készüléket.
- Soha ne nyúljon a robotgép vagy a tartozékok mozgó alkatrészeihez.
- Működés közben soha ne hagyja a konyhagépet felügyelet nélkül.
- Sérült készüléket soha ne használjon! Ellenőriztesse és javíttassa meg: lásd a „szerviz és vevőszolgálat” részt.
- Ne hagyja a vezetéket olyan helyen lelógni, ahol gyermek hozzáférhet.
- Ügyeljen arra, hogy a tápegység ne kerüljön vízbe, és a vezetéket és a dugót ne érje nedvesség.
- Soha ne használjon nem engedélyezett tartozékot, illetve ne használja mindkét meghajtót egyszerre.
- Soha ne lépje túl az egyszerre feldolgozható maximális mennyiségeket.
- Gondosan tanulmányozza át a tartozékokhoz külön mellékelt biztonsági előírásokat is.
- Hosszabb használat után óvatosan vegye le a keverőfejeket, mert felmelegedhetnek.
- Legyen óvatos a készülék emelése során, mivel az nehéz. Emelés előtt ellenőrizze, hogy a fej rögzítve legyen, és hogy a tál, a keverőfejek, a meghajtó fedele és a vezeték biztonságos helyzetben legyenek.

- A készülék mozgatásakor mindig a talapzatot és a gépkart fogja meg. NE emelje vagy mozgassa a készüléket az edény fogantyújánál fogva.
- Ne mozgassa vagy emelje meg a keverőgémet beszerelt tartozékkal, mert a konyhagép instabillá válhat.
- Ne üzemeltesse a készüléket a munkafelület széléhez közel.
- Ezt a készüléket nem használhatják gyermekek. Ügyelni kell arra, hogy a készülékhez és zsinórához gyermekek ne férjenek hozzá.
- A gyermekekre figyelni kell, nehogy a készülékkel játsszanak.
- A készülék nem megfelelő használata sérülést okozhat.
- A készüléket üzemeltethetik olyanok is, akik mozgásukban, érzékelésükben vagy mentálisan korlátozottak, illetve nincs kellő hozzáértésük vagy tapasztalatuk, amennyiben a készüléket felügyelet mellett használják, vagy annak biztonságos használatára vonatkozóan utasításokkal látták el őket, és tisztában vannak a kapcsolódó veszélyekkel.
- A készüléket csak a rendeltetésének megfelelő háztartási célra használja! A Kenwood nem vállal felelősséget, ha a készüléket nem rendeltetésszerűen használták, illetve ha ezeket az utasításokat nem tartják be.

### Üvegedény

- **A használat előtt ellenőrizze, hogy a keverőeszközök megfelelően legyenek beállítva és ne érjenek hozzá az edény aljához – lásd „a keverőfej beállítása” részt.**
- Az üvegedény károsodásának elkerülése érdekében ügyeljen arra, hogy az edény ne érintkezzen forró felülettel, például a sütőnél vagy a tűzhely tetején.
- Az üvegedény használható mikrohullámú sütőben.

### Üvegedényre vonatkozó megjegyzések

Az üveg természetes anyag. Az edény gyártása során mindent elkövettünk a tökéletes megjelenés biztosítása érdekében, azonban előfordulhat, hogy az üvegen néhány apró egyenetlenség látható. Ez normális jelenség, és az edény használhatóságát nem érinti.



## csatlakoztatás előtt

- Bizonyosodjon meg arról, hogy a hálózati feszültség megegyezik a készülék alján feltüntetett üzemi feszültséggel.
- **FIGYELMEZTETÉS: A KÉSZÜLÉKET FÖLDELNI KELL!**

## a keverőgép

### a készülék részei

- ① keverőgém
- ② meghajtó nyílása
- ③ nyílásfedél
- ④ keverőfej csatlakozóaljzata
- ⑤ keverőedény
  - a rozsdamentes acél (ha tartozék)
  - b üveg (ha tartozék)
- ⑥ be/ki kapcsoló és sebességszabályozó
- ⑦ keverőgép készen áll jelzőfény
- ⑧ keverőgép törzse
- ⑨ keverőgém kioldókarja
- ⑩ vezeték tároló
- ⑪ K-keverő
- ⑫ habverő
- ⑬ spirális dagasztókar
- ⑭ krémesítő keverőlapát (ha tartozék)
- ⑮ bekeverő eszköz (ha tartozék)
- ⑯ spatula
- ⑰ fröccsenésgátló

### keverőfejek és néhány felhasználási területük

#### K-keverő

- Tészták, kekszek, sütemények, bevonatok, töltelékek, ekler fánk és burgonyapüré készítéséhez.

#### habverő

- Tojás, tejszín felveréséhez, illetve palacsintatészta, zsír nélküli

- A készülék megfelel az élelmiszerekkel rendeltetésszerűen érintkezésbe kerülő anyagokról és tárgyokról szóló 1935/2004/EK rendelet követelményeinek.

### az első használat előtt

- Mossa el az alkatrészeket: lásd a „karbantartás és tisztítás” fejezetet.

piskótatészta, habcsók, túró torta valamint különböző habok és pudingok kikeveréséhez. Sűrű anyagokhoz (pl. zsír és cukor kikeveréséhez) ne használja a habverőt, mert deformálódhat

#### dagasztókar

- Csak kelt tészták készítéséhez.

#### bekeverő eszköz

- A bekeverő eszközzel könnyebb hozzávalókat keverhet sűrűbb keverékekhez, pl. habcsók, mousse, gyümölcskrém, piskótatészta, szuflé készítésénél vagy a liszt tésztába való bekeveréséhez. Nem használható keményebb állagú receptekhez, például sűrű tészta, zsiradék és cukor összedolgozása, vagy tészta porok esetén.

#### krémesítő keverőlapát

- A krémesítő keverőlapát puha hozzávalók krémesítésére és keverésére szolgál. Ne használja keményebb állagú receptek, például tészta, vagy kemény hozzávalókat, például gyümölcsmaggot, csontot vagy kagylóhéjat tartalmazó receptek készítéséhez.

#### A törőlapát felszerelése

- A törőlapát gyárilag fel van szerelve, és a tisztításhoz mindig el kell távolítani **15**.

# a keverőgép

- 1 Óvatosan illessze a rugalmas törőlapátot a keverőlapátra úgy, hogy a törőlapát alapját behelyezi a nyílásba ⑩, majd az egyik végét finoman bepattintja a helyére a horonyba ⑪. Ezt ismételje meg a másik oldalon is ⑫.

## a keverőgép használata

- 1 Emelje meg a keverőgép kioldókarját ⑨ a konyhagép hátulján ①, és közben hajtsa fel akeverőgémet ①, ameddig az nem rögzül a felemelt helyzetben ②.
- 2 Helyezze a kívánt keverőfejet a csatlakozóaljzatba. Ezután tolja be ③, majd elfordítva ④ rögzítse.
- 3 Helyezze a keverőedényt az alpra. A fogantyú közvetlenül a nyitás jel fölött legyen ⑥, majd finoman fordítsa el a keverőedényt jobbra amíg a fogantyú közvetlenül a zárás jel ⑦ fölé kerül. NE GYAKOROLJON rá túlzott erőt, és NE húzza túl ⑤.
- 4 Emelje meg a keverőgép kioldókarját ⑨ a konyhagép hátulján, és közben hajtsa le a keverőgémet ①.
- 5 Csatlakoztassa a készüléket az áramforráshoz, és a „keverőgép készen áll” jelzőfény kigyullad.
- 6 A sebességszabályozó kívánt fokozatba való elfordításával indítsa el a gépet.
- 7 A keverőfejet először jobbra elfordítva oldja ki, majd húzza ki az aljzatból.

## figyelem

- Ha üzemelés közben felemeli a keverőgémet, a gép azonnal leáll. Az újraindításhoz engedje vissza a keverőgémet, a sebességszabályozót fordítsa az „O” állásba, várjon néhány másodpercig, majd újra válassza ki a kívánt sebességet. A keverőgép azonnal elindul.

- A keverőgép felemelésekor a „keverőgép készen áll” jelzőfény kialszik. A keverőgép leengedésekor a jelzőfény kigyullad, jelezve, hogy a keverőgép készen áll a használatra.

## tippek

- A bekeverő funkcióval ☞ könnyebb hozzávalókat keverhet sűrűbb keverékekhez, pl. habcsók, mousse, gyümölcskrém, piskótátészta, szuflé készítésekor vagy használhatja a liszt és gyümölcs tésztába való lassú bekeveréséhez. A keverőgép állandó, lassú sebességgel üzemel.
- A hozzávalók alapos összekeverése érdekében állítsa meg a keverést és a simítólapáttal kaparja le az edény falát.
- A szobahőmérsékletű tojásokat a legkönnyebb felverni.
- Ha tojásfehérjét ver fel, ellenőrizze, hogy ne legyen zsiradék vagy tojássárgája a habverőn vagy az edényben.
- A cukrászsüteményekhez használjon hideg összetevőket, ha a recept nem javasol mást.
- Ha zsiradékot és cukrot kever krémmé tortákhoz, mindig szobahőmérsékleten használja a zsiradékot, vagy előbb puhítsa meg.

# a keverőgép

- A készülékét rendelkezik „finom indítás” funkcióval, amely minimalizálja az összetevők felcsapódását. Mindazonáltal, ha a gép bekapcsolásakor sűrű keverék van a keverőedényben, például kenyértészta, előfordulhat, hogy a robotgépnek néhány másodpercre lesz szüksége a kiválasztott sebesség eléréséhez.

## **elektromos sebességérzékelő vezérlővel**

A keverőgép elektromos sebességérzékelő vezérlővel van ellátva, amely fenntartja a sebességet a terhelés változásakor (például a kenyértészta dagasztása vagy a tojások hozzáadása a tésztához). Ezért hallható némi változás a keverőgép működésében, amint az alkalmazkodik a kiválasztott terheléshez és sebességhez – ez normális.

## **fontos tanácsok a bekeverő eszköz használatához**

- Ne használja a nagy sebességfokozatot, mivel az optimális bekeveréshez alacsony sebesség szükséges.
  - Az eszköz nem használható forró hozzávalók összekeverésére, ezért a bekeverő eszköz használata előtt várja meg, hogy a hozzávalók lehűljenek.
  - A legjobb eredmény elérése érdekében ne verje túl a tojásfehérjét vagy a tejszínt – ha túl keményre sikerül, akkor a bekeverő eszköz nem tudja elkészíteni megfelelően a keveréket.
  - A bekeverést ne végezze túl hosszan, mert ezzel a levegőt kihajtáná, és a keverék túl laza lesz. Fejezze be, ha a hozzávalók egyenletesen eloszlottak.
- A keverőlapáton és az edény oldalán esetleg ottmaradt hozzávalókat gondosan be kell keverni a műanyag kanállal.

## **fontos tanácsok a kenyér készítéséhez**

- Soha ne lépje túl a megadott maximális kapacitást, nehogy túlterhelje a gépet.
- Ha hallja, hogy a készülék erőlködik, kapcsolja ki, vegye ki a tészta felét, és dolgozza fel a két felet külön.
- Az összetevők akkor keverednek legjobban, ha előbb a folyadékot önti be.
- Időnként kapcsolja ki a készüléket, és kaparja le a tésztát a dagasztókarról.
- A különféle lisztek jelentősen eltérnek abban, hogy mennyi folyadékot igényelnek, és a tészta sűrűségének nagy hatása van a gép terhelésére. Azt tanácsoljuk, hogy a tészta keverése közben figyelje a gép működését.

## a keverőgép

ajánlott sebességek és maximális kapacitások táblázata				
Ezek csak tájékoztató jellegű értékek, függnek az edényben levő keverék mennyiségétől és a feldolgozandó nyersanyagoktól.				
keverőfej/ tartozék	recept	sebesség	maximális idő	maximális kapacitás
Habverő	Tojásfehérje	Max.	3 perc	2–12 (455 g)
	Tejszín		2-3 perc	1 liter
Keverő	Tésztapороk	Max.	2 perc	2 kg teljes súly 10 tojás
	Zsiradék bedolgozása lisztbe	Min. – 2. seb.	2-3 perc	680 g liszt
	Víz hozzáadása tészta keverésénél	Min.	30 s	
Krémcsitő keverőlapát	Gyümölcsstorta			2,72 kg teljes súly 9 tojás
	Zsiradék és cukor összedolgozása	Max.	1½ – 3½ perc	
	Tojás hozzáadása	Max.	1-2 perc	
	Liszt, gyümölcs stb. bekeverése	Min. – 1. seb.	30 s-1 perc	
Dagasztókar	Kenyértészta (élesztővel készült, kemény)	Min. – 1. seb.	5 perc	1,35 kg liszt 2,17 kg teljes súly

\*Felhasznált tojás mérete = közepes (53–63 g)

# a keverőgép

ajánlott mennyiségek táblázata – bekeverő eszköz							
Recept	Eszköz	Hozzávalók	Min. menny.	Max. menny.	Ajánlott sebesség	Hozzávetőleges időigény (bekeverés)	Tanácsok és tippek
Felvert piskótatészta	Habverő	Tojás	3	9	Max.	4–5 perc	Verje fel a tojást és a cukrot, amíg nem lesz sűrű, fakó és krémszerű.
	Bekeverő eszköz	Liszt	85 g	250 g	Bekeverő funkció	2–8 perc	A lisztet helyezze egy zsírpapírból formált, felhajtott oldalú adagolólapátkára. Fokozatosan adja hozzá a lisztet a keverékhez, miközben a bekeverő funkciót használja a keveréshez. Ez a művelet akár 8 percig is eltarthat. Mindig türelmesen várja meg, amíg a hozzáadott liszt teljesen elkeveredik, és csak utána öntse hozzá a következő adagot.
Teljes keverék		350 g	1 kg				
Szüflék	Habverő	Tojás	2	6	Max.	1 perc	A felverendő tojásfehérje egynegyedét verje fel 3-as sebességfokozaton, és utána keverje hozzá a maradék tojásfehérjét.
	Bekeverő eszköz	Teljes keverék	300 g	900 g	Bekeverő funkció	1 perc	
Gyümölcskrémek	Habverő	Tejszín	125 ml	600 ml	Max.	1–2 perc max.	
	Bekeverő eszköz	Gyümölcspüré	80 g	400 g	Bekeverő funkció	1–2 perc	
Csokoládés mousse	Habverő	Teljes keverék	600 g	1,5 kg	Max.	2½ perc	Adja hozzá az olvasztott csokoládét a keverékhez, és egyszerre keverje be. A tojásfehérjét kisebb adagokban fokozatosan keverje hozzá.
	Bekeverő eszköz				Bekeverő funkció		
Makaron	Habverő	Teljes keverék	400 g	900 g	Max.	1 perc	
	Bekeverő eszköz				Bekeverő funkció		

\* A fentiek csak iránymutatásul szolgálnak, függnek a pontos recepttől és a feldolgozandó nyersanyagoktól.

A táblázatban szereplő tojásméret = közepes (53 g – 63 g).

# a fröccsenésgátló felszerelése és használata

- 1 Hajtsa fel a keverőgémet úgy, hogy a felhajtott állásban rögzüljön.
- 2 Helyezze a keverőedényt az alapra.
- 3 Nyomja a fröccsenésgátlót a keverőgém **6** alsó részébe úgy, hogy az rögzüljön. A felemelhető résznek az ábrán látható módon kell elhelyezkednie.
- 4 Illessze a kívánt keverőfejet az aljzatba.
- 5 Hajtsa le a keverőgémet.
  - A fedél felhajtható részét kinyitva keverés közben is az edénybe teheti a hozzávalókat **7**.
  - A keverőfejek cseréjéhez nem kell levennie a fröccsenésgátlót.
- 6 A fröccsenésgátló levételéhez hajtsa fel a keverőgémet, és húzza ki a fröccsenésgátlót..

# a keverőfej beállítása

## **K-keverő, habverő, krémesítő keverőlapát és bekeverő eszköz**

A keverőfejek gyárilag be vannak állítva a tartozék keverőedényhez, és nincs szükség a külön beállításukra. Ha mégis módosítani szeretné a keverőfej magasságát, akkor használjon egy 15 mm-es villáskulcsot:

Kövesse az alábbi utasításokat:

- 1 Húzza ki a készülék hálózati csatlakozóját.
- 2 Hajtsa fel a keverőgémet, és helyezze be a habverőt/K-keverőt.
- 3 Hajtsa le a keverőgémet. Ha a keverőfej állását módosítani kell, emelje fel a keverőgémet, és vegye ki a keverőfejet. A habverő, K-keverő és a bekeverő eszköz akkor van jól felszerelve, ha **csaknem** érinti az edény alját **8**.

### **krémesítő keverőlapát**

- Ideális esetben érintkezik az edény felületével úgy, hogy keverés közben finoman törli az edényt **13**.
- 4 Egy megfelelő villáskulccsal lazítsa meg a csavaranyát annyira, hogy a szárát beállíthassa **9** or **14**. Ha a keverőfejet az edény aljához közelebb szeretné engedni, akkor a keverőfej szárát forgassa el balra. Ha a keverőfejet feljebb szeretné emelni, akkor a keverőfej szárát forgassa el jobbra.
  - 5 Szorítsa meg az anyacsavart.
  - 6 Helyezze a keverőfejet a mixerbe, és engedje le a keverőgémet. (Ellenőrizze a helyzetét – lásd a fenti pontokat.)

# a keverőfej beállítása

7 Szükség esetén ismétlje meg a fenti lépéseket, amíg a keverőfej beállítása megfelelő nem lesz. Amikor ezt elérte, végleg húzza meg a csavaranyát.

- **Megjegyzés: A villáskulcs az ábrán csak illusztrációs célokat szolgál.**

## Dagasztókar

Ez a keverőfej gyárilag be van állítva, és nincs szükség külön beállításra.

## hibaelhárítási útmutató


Probléma	Ok	Megoldás
A habverő vagy a K-keverő a keverőedény aljának ütközik vagy az edény alján nem kever tökéletesen.	A keverőfej magassága nem jó, be kell állítani.	Állítsa be a magasságot egy megfelelő villáskulccsal – lásd „A keverőfej beállítása” részt.
A „keverőgép készen áll” lámpa villog, amikor a konyhagép hálózati csatlakozóját először bedugja a konnektorba.	A sebességszabályozó nem az 'O' helyzetben van.	Ellenőrizze, és ha szükséges, állítsa a sebességszabályozót az 'O' helyzetbe.
A konyhagép leáll működés közben. A „keverőgép készen áll” lámpa gyorsan villog.	A túlterhelés vagy túlmelegedés elleni védelem bekapcsolt. Túllépte a maximális kapacitást.	Húzza ki a hálózati csatlakozót, és ellenőrizze, nem okoz-e valami elakadást vagy nincs-e túltöltve. Állítsa a sebességszabályozót az 'O' állásba, és indítsa el újra. Ha a gép nem működik, vegyen ki valamennyit a keverékből, hogy csökkentse a terhelést, és indítsa el újra. Ha még ez sem oldja meg a problémát, akkor húzza ki a hálózati csatlakozót, és várjon 15 percre. Csatlakoztassa újra a hálózathoz, és a sebességszabályozót fordítsa a kívánt állásba. Ha a gép a fenti eljárás után sem indul el újra, forduljon avelőszolgálatához.
A „keverőgép készen áll” lámpa lassan villog, miközben a konyhagép hálózati csatlakozója be van dugva a konnektorba.	A konyhagép hálózati csatlakozója 30 percnél tovább be volt dugva a konnektorba, de a gépet nem működtették, és készenléti üzemmódra váltott.	A gép alaphelyzetbe állításához fordítsa el a sebességszabályozót a „min” állásba, majd vissza az „O” állásba.

# tisztítás és szerviz

## karbantartás és tisztítás

- Tisztítás előtt mindig kapcsolja ki a gépet és húzza ki a hálózati csatlakozóját.

### **meghajtóegység és nyílásfedél**

- Törölje meg egy nedves ronggyal, majd szárítsa meg.
- Ne használjon súrolószert, és soha ne merítse vízbe.
- A felesleges vezetéket tárolja a gép hátulján levő vezetéktároló rekeszben .


### **rozsdamentes acél keverőedény**

- Kézzel mosogassa el, majd alaposan szárítsa meg, vagy a tisztításhoz használja a mosogatógépet.
- A rozsdamentes acél keverőedény tisztításánál soha ne használjon drótkefét, fém dörzsszivacsot vagy fehérítő szert. A vízkő eltávolításához használjon ecetet.
- Óvja a közvetlen hőtől (tűzhely, hagyományos és mikrohullámú sütő).

### **keverőfejek és fröccsenésgátló**

- Kézzel mosogassa el, majd alaposan szárítsa meg, vagy a tisztításhoz használja a mosogatógépet.

### **krémesítő keverőlapát**

- A rugalmas törlőlapátot a tisztítás előtt mindig el kell távolítani .
- Forró mosószeres vízben mossa el a rugalmas törlőlapátot, majd alaposan szárítsa meg. Az alkatrészek elmoshatók mosogatógépből is.

Megjegyzés: Használat előtt és után ellenőrizze az eszköz szerkezeti részének állapotát, valamint rendszeresen ellenőrizze a törlőlapát állapotát, és cserélje ki, ha a kopás jelei mutatkoznak.

## üvegedény

- Forró mosószeres vízben mossa el az edényt, majd alaposan szárítsa meg.
- Másik megoldásként az edény mosogatógépből is elmosható.
- Megjegyzés: Az edény alján található gallér levehető, és hasonló módon elmosható. A gallért úgy veheti le, hogy megfordítja az üres edényt, és balra lecsavarja a gallért.



# szerviz és vevőszolgálat

- Ha bármilyen problémát tapasztal a készülék használata során, olvassa el a használati utasítás „hibaelhárítási útmutató” fejezetét vagy látogasson el a [www.kenwoodworld.com](http://www.kenwoodworld.com) webhelyre, mielőtt segítséget kérne.
- A termékre garanciát vállalunk, amely megfelel az összes olyan előírásnak, amely a garanciális és a fogyasztói jogokat szabályozza abban az országban, ahol a terméket vásárolta.
- Ha a Kenwood termék meghibásodik, vagy bármilyen hibát észlel, akkor küldje el vagy vigye el egy hivatalos KENWOOD szervizközpontba. A legközelebbi hivatalos KENWOOD szervizközpontok elérhetőségét megtalálja a [www.kenwoodworld.com](http://www.kenwoodworld.com) weblapon vagy annak magyar verzióján.
- Tervezte és kifejlesztette a Kenwood az Egyesült Királyságban.
- Készült Kínában.



## **FONTOS TUDNIVALÓK AZ EURÓPAI UNIÓ ELEKTROMOS ÉS ELEKTRONIKUS BERENDEZÉSEK HULLADÉKAIRA (WEEE) VONATKOZÓ IRÁNYELVÉRŐL**

A hasznos élettartamának végére érkezett készüléket nem szabad kommunális hulladékként kezelni. A termék az önkormányzatok által fenntartott szelektív hulladékgyűjtő helyeken vagy az ilyen szolgáltatást biztosító kereskedőknél adható le. Az elektromos háztartási készülékek szelektív hulladékkezelése lehetővé teszi a nem megfelelő hulladékkezelésből adódó esetleges, a környezetet és az egészséget veszélyeztető negatív hatások megelőzését és a készülék alkotóanyagainak újrahasznosítását, melynek révén jelentős energia- és forrásmegtakarítás érhető el. A terméken áthúzott kerekes kuka szimbólum emlékeztet az elektromos háztartási készülékek szelektív hulladékkezelésének szükségességére.

## prezentacja robota kuchennego Kenwood

### **bezpieczeństwo obsługi**

- Przeczytać uważnie poniższą instrukcję i zachować na wypadek potrzeby skorzystania z niej w przyszłości.
- Usunąć wszelkie materiały pakunkowe i etykiety.
- Ze względów bezpieczeństwa uszkodzony przewód musi zostać wymieniony przez pracownika firmy Kenwood lub upoważnionego przez firmę Kenwood zakładu naprawczego w celu uniknięcia zagrożenia.
- Przed zakładaniem i zdejmowaniem nasadek i przyborów, po zakończeniu pracy oraz przed czyszczeniem należy zawsze wyłączyć urządzenie i wyjąć wtyczkę z gniazda sieciowego.
- Nie zbliżać palców do obracających się części urządzenia i zamocowanych na nim nasadek.
- Pracującego urządzenia nie wolno pozostawiać bez nadzoru.
- Nie używać uszkodzonego urządzenia. W razie awarii oddać je do sprawdzenia lub naprawy (zob. ustęp pt. „serwis i punkty obsługi klienta”).
- Nie dopuszczać, by w miejscach dostępnych dla dzieci z blatu, na którym stoi urządzenie, zwisał przewód sieciowy.
- Nie wolno dopuszczać do zamocowania korpusu z silnikiem, przewodu sieciowego ani wtyczki.
- Nigdy nie stosować niezatwierdzonych przez firmę nasadek ani obu gniazd na raz.
- Nie przekraczać maksymalnej pojemności.
- Korzystając z nasadek, należy przeczytać załączoną do danej nasadki instrukcję bezpieczeństwa.
- Podczas wymontowywania przyborów do użytku w misce po dłuższej pracy należy zachować ostrożność, ponieważ mogą one być gorące.
- Podczas podnoszenia urządzenia należy zachować ostrożność, ponieważ jest ciężkie. Przed podniesieniem

sprawdzić, czy głowica jest zablokowana, a miska, przybory, zaślepka gniazda i przewód sieciowy nie są luźne.

- Podczas przemieszczania urządzenia zawsze podnosić je, trzymając za podstawę i głowicę miksera. NIE podnosić ani nie przenosić urządzenia, trzymając za uchwyt miski.
- Nie ruszać ani nie unosić głowicy miksera, gdy na robocie zamocowana jest jedna z nasadek, ponieważ może on utracić stabilność.
- Nie użytkować urządzenia stojącego przy krawędzi blatu.
- Urządzenia nie wolno obsługiwać dzieciom. Urządzenie i przewód sieciowy należy przechowywać w miejscu niedostępnym dla dzieci.
- Należy sprawować kontrolę nad dziećmi, żeby nie bawiły się urządzeniem.
- Stosowanie urządzenia w sposób niezgodny z przeznaczeniem może grozić wypadkiem.
- Urządzenia mogą być użytkowane przez osoby o obniżonej sprawności fizycznej, zmysłowej lub umysłowej lub osoby niemające doświadczenia ani wiedzy na temat zastosowania tych urządzeń, o ile korzystają z nich pod nadzorem odpowiedniej osoby lub otrzymały instrukcje dotyczące ich bezpiecznej obsługi i rozumieją zagrożenia związane z ich użytkowaniem.
- Urządzenie jest przeznaczone wyłącznie do użytku domowego. Firma Kenwood nie ponosi żadnej odpowiedzialności w przypadku niewłaściwego korzystania z urządzenia lub nieprzestrzegania niniejszych instrukcji.

### **Miska szklana**

- **Przed użyciem sprawdzić, czy końcówki do użytku z miską zamocowane są na właściwej wysokości i nie stykają się z dnem miski – informacje na ten temat podane są w części dotyczącej regulacji wysokości końcówki.**
- Aby uniknąć uszkodzenia szklanej miski, nie dopuszczać, by stykała się ze źródłami bardzo wysokiej temperatury –

nie umieszczać jej np. w piekarniku ani na płycie pieca bądź kuchenki.

- Miski można używać w kuchenke mikrofalowej.

### **Specjalne środki konserwacyjne**

Szkło to naturalny materiał, dlatego pomimo dołożenia podczas produkcji wszelkich starań, by zapewnić doskonały wygląd miski, widoczne mogą być na niej drobne niedoskonałości. Jest to całkowicie normalne i spodziewane i nie wpływa na prawidłowe funkcjonowanie miski.

#### **przed podłączeniem do sieci**

- Sprawdzić, czy napięcie sieciowe odpowiada danym znamionowym podanym na spodzie obudowy urządzenia.

• **OSTRZEŻENIE: NINIEJSZE URZĄDZENIE MUSI BYĆ UZIEMIENE.**

- Urządzenie spełnia wymogi rozporządzenia Wspólnoty Europejskiej nr 1935/2004 dotyczącego materiałów i wyrobów przeznaczonych do kontaktu z żywnością.

#### **przed pierwszym użyciem**

- Umyć części (zob. część pt. „konserwacja i czyszczenie”).

## **mikser**

### **legenda**

- ① głowica miksera
- ② gniazdo nasadek
- ③ zaślepka gniazda
- ④ gniazdo końcówek
- ⑤ miska
  - a ze stali nierdzewnej (jeżeli załączono w zestawie)
  - b szklana (jeżeli załączono w zestawie)
- ⑥ włącznik i regulator prędkości
- ⑦ kontrolka stanu gotowości miksera
- ⑧ korpus miksera
- ⑨ dźwignia zwalniająca głowicę
- ⑩ schowek na przewód sieciowy
- ⑪ ubijak „K”
- ⑫ trzepaczka
- ⑬ spiralna końcówka do zagniatania ciasta

- ⑭ końcówka do ucierania (jeżeli załączono w zestawie)
- ⑮ końcówka do łączenia lekkich składników (jeżeli załączono w zestawie)
- ⑯ szpatułka
- ⑰ osłona przeciwozpryskowa

### **przybory do miksowania – przykłady zastosowań**

#### **ubijak „K”**

- Do przygotowywania różnego rodzaju ciast, ciastek, lukru, polew, mas, nadzienia, eklerów i ziemniaków purée.

#### **trzepaczka**

- Do ubijania jaj, śmietany i przygotowywania rzadkiego ciasta (np. naleśnikowego), beztłuszczowego

# mikser

ciasta biszkoptowego, bez, serników, musu, sufletów. Nie używać trzepaczki do gęstych mieszanin (np. ucierania cukru z tłuszczem) – grozi to jej uszkodzeniem.

## końcówka do zagniatania ciasta

- Wyłącznie do ciast drożdżowych.

## końcówka do łączenia lekkich składników

- Końcówka służy do łączenia lżejszych bądź rzadszych składników z gęstszymi masami, np. podczas przygotowywania bezów, musów owocowych, biszkoptów, sufletów, a także do łączenia mąki z pozostałymi składnikami na ciasta. Końcówki nie należy używać do mieszania składników gęstych, np. ciasta na chleb czy pierogi, ani do ucierania tłuszczu z cukrem lub przygotowywania ciast w proszku.

## końcówka do ucierania

- Końcówka do ucierania przeznaczona jest do ucierania i mieszania miękkich składników. Nie należy jej używać do ciężkich, gęstych mas, np. do ugniatania ciasta, ani do mieszania bądź ucierania twardych składników, np. zawierających pestki, kości lub skorupki.

## montaż elastycznego pióra

- Elastyczne pióro zostało zamocowane fabrycznie, a przed każdym czyszczeniem należy je zdjąć 15.
- 1 Ostrożnie założyć elastyczne pióro na końcówkę, wpasowując podstawę pióra w otwór 10, następnie wsunąć jedną połowę pióra w rowek, a potem koniec zahaczyć o haczyk w górnej części końcówki 11. W taki sam sposób nałożyć drugą połowę pióra 12.

## obsługa miksera

- 1 Unieść dźwignię zwalnającą głowicę 9, znajdującą się z tyłu robota 1, jednocześnie unosząc głowicę miksera 1 do momentu, aż zablokuje się w pozycji uniesionej 2.
- 2 Wybraną końcówkę włożyć do gniazda, a następnie wsunąć głębiej 3 i przekręcić 4, aby zablokować ją na miejscu.
- 3 Umieścić miskę w podstawie. Uchwyt powinien znajdować się dokładnie nad symbolem „odblokowane” 6. Następnie delikatnie przekręcić miskę w kierunku zgodnym z ruchem wskazówek zegara, aż uchwyt znajdzie się bezpośrednio nad symbolem „zablokowane” 6. **NIE UŻYWAĆ** zbyt dużej siły i **NIE PRZEKRĘCAĆ ZBYT MOCNO** 5.
- 4 Unieść dźwignię zwalnającą głowicę 9, znajdującą się z tyłu robota, jednocześnie opuszczając głowicę miksera 1.
- 5 Podłączyć urządzenie do źródła zasilania – zaświeci się kontrolka stanu gotowości miksera.
- 6 Włączyć urządzenie, przekręcając regulator prędkości do wybranego ustawienia.
- 7 Zwolnić końcówkę: przekręcić ją w kierunku zgodnym z ruchem wskazówek zegara, aby ją odblokować, a następnie wyjąć z gniazda.

### ważne

- Jeżeli podczas pracy urządzenia głowica zostanie uniesiona, robot natychmiast przerywa pracę. Aby ponownie włączyć mikser, opuścić głowicę, przesunąć regulator do pozycji „O”, odczekać kilka sekund, a

# mikser

następnie ponownie wybrać używaną wcześniej prędkość. Mikser powinien natychmiast ponownie rozpocząć pracę.

- Za każdym razem gdy głowica miksera zostaje uniesiona, kontrolka stanu gotowości miksera gaśnie. Gdy głowica miksera zostanie opuszczona, kontrolka stanu gotowości zapali się, wskazując, iż mikser jest gotowy do pracy.

## **wskazówki**

- Funkcja  $\Omega$  może być używana do łączenia lżejszych bądź rzadszych składników z gęstszymi masami, np. podczas przygotowywania bez, musów owocowych, biszkoptów i sufletów oraz do wolnego łączenia mąki i owoców z resztą składników na ciasta. Mikser będzie pracować na stałej, wolnej prędkości obrotów.
- Aby składniki całkowicie połączyły się ze sobą, mieszanie należy przerwać i zgarnąć składniki osadzające się na bokach miski.
- Do ubijania najlepiej nadają się jaja w temperaturze pokojowej.
- Przed przystąpieniem do ubijania białek jaj należy sprawdzić, czy na trzepacze lub naczyniu nie pozostały resztki tłuszczu lub żółtek.
- Do makaronów stosować schłodzone składniki, chyba że w przepisie podano inaczej.
- Podczas ucierania tłuszczu i cukru na jednolitą masę do ciast należy zawsze używać tłuszczu w temperaturze pokojowej lub najpierw go zmiękczyć.
- Robot został wyposażony w funkcję płynnego rozruchu, co ma na celu w jak największym stopniu ograniczyć rozpryskiwanie. Możliwe jednak, że

jeżeli w misce będą znajdować się składniki gęste, np. ciasto chlebowe, po rozpoczęciu pracy urządzenie dopiero po kilku sekundach osiągnie wybraną prędkość.

## **czujnik elektroniczny z regulatorem prędkości**

Mikser jest wyposażony w elektroniczny układ regulacji szybkości, który pozwala na utrzymywanie szybkości w różnych warunkach obciążenia, na przykład podczas zagniatania ciasta na chleb lub dodawania jajek do wyrabianego ciasta. Odczuwalna może być zatem pewna zmienność szybkości działania, w miarę jak mikser będzie dostosowywał sposób pracy do obciążenia i wybranej szybkości. Taki tryb pracy miksera jest normalny i nie jest objawem jego uszkodzenia.

## **ważne wskazówki na temat użytkowania końcówki do łączenia lekkich składników**

- Nie używać wysokich prędkości obrotów – najlepsze wyniki podczas łączenia lekkich składników daje użycie niskiej prędkości.
- Kończówka nie jest przeznaczona do mieszania składników gorących. Przed jej użyciem należy składniki przestudzić.
- Najlepsze wyniki da nieubijanie białek lub śmietany zbyt mocno – prawidłowe połączenie składników końcówką do łączenia nie będzie możliwe, gdy ubita masa będzie zbyt sztywna.
- Nie należy mieszać łączonych składników przez zbyt długi czas, ponieważ spowoduje to wypchnięcie

# mikser

z masy pęcherzyków powietrza, co sprawi, że będzie ona zbyt luźna. Mieszanie należy zakończyć, gdy składniki będą w wystarczającym stopniu połączone ze sobą.

- Wszelkie niepołączone składniki pozostałe na łopatkach końcówki lub bokach miski należy ostrożnie wmieszać do pozostałych za pomocą łopatki.

## **ważne wskazówki na temat pieczenia chleba**

- Nie wolno przekraczać maksymalnej ilości składników – spowoduje to przeciążenie robota.
- Jeśli mikser zaczyna wibrować, wyłączyć urządzenie, wyjąć z miski połowę ciasta i każdą część zagniatć osobno.
- Wszystkie składniki najlepiej miksować po umieszczeniu najpierw składników płynnych.
- Co jakiś czas należy zatrzymywać urządzenie i zgarniać składniki z końcówki do zagniatania.
- Różne partie mąki różnią się pod względem ilości składników płynnych, jakiej będą wymagać, a kleistość ciasta może mieć wyraźny wpływ na obciążenie robota. Zaleca się nadzorowanie pracującego urządzenia w czasie mieszania ciasta.

# mikser

tabela zalecanych prędkości i maksymalnych ilości składników				
Podane wartości służą wyłącznie za wskazówkę i różnią się w zależności od ilości i rodzaju składników w misce.				
końcówka/ nasadka	rodzaj czynności/ składników	prędkość	maksymalny czas trwania	maksymalna ilość
Trzepaczka	Białka	„Max”	3 minuty	2-12 (455 g)
	Śmietana		2-3 minuty	1 litr
Ubijak	Ciasta w proszku	„Max”	2 minuty	2 kg wagi całkowitej mieszanka z 10 jaj
	Wcieranie tłuszczu do mąki	„Min” do 2	2-3 minuty	680 g mąki
	Dodawanie wody, aby połączyć składniki na ciasto	„Min”	30 sekund	
Końcówka do ucierania	Keks			2,72 kg wagi całkowitej mieszanka z 9 jaj
	Ucieranie tłuszczu z cukrem	„Max”	1½ - 3½ minuty	
	Dodawanie jaj	„Max”	1-2 minuty	
	Dodawanie mąki, owoców itp.	„Min” do 1	30 sekund-1 minuta	
Końcówka do zagniatania ciasta	Ciasto na chleb (twarde ciasto drożdżowe)	„Min” do 1	5 minut	1,35 kg wagi mąki 2,17 kg wagi całkowitej

\* Wielkość jaj użytych w przepisie = średnie (waga: 53-63 g)



# mikser

zalecane ilości składników – końcówka do łączenia lekkich składników							
Rodzaj potrawy	Kończówka	Składniki	Min. ilość	Max. ilość	Zalecana prędkość	Przybliżony czas (o ile nie podano inaczej, jest to czas łączenia lekkich składników)	Porady i wskazówki
Biszkopty/ ciasta biszkoptowe	Trzepaczka	Jaja	3	9	Maks.	4–5 minut	Jaja ubijać z cukrem do momentu, aż masa zgęstnieje i zrobi się jasna i kremowa.
	Kończówka do łączenia lekkich składników	Mąka	85 g	250 g	Funkcja do łączenia lekkich składników	2–8 minut	Podczas dodawania mąki wysypać ją na arkusz papieru pergaminowego i zawinąć brzegi papieru, aby utworzyć dzióbek. Przy użyciu funkcji do łączenia lekkich składników stopniowo dodawać mąkę do masy. Proces ten może zająć do 8 minut, dlatego należy zachować cierpliwość i przed dodaniem kolejnej porcji mąki odczekać, aż ostatnio dodana porcja połączy się z resztą składników.
Łączna ilość		350 g	1 kg				
Suflety	Trzepaczka	Jaja	2	6	Max.	1 minuta	Przy prędkości 3 najpierw dodać jedną czwartą ubitych białek, a następnie wmieszać pozostałą część.
	Kończówka do łączenia lekkich składników	Łączna ilość	300 g	900 g	Funkcja do łączenia lekkich składników	1 minuta	
Musy owocowe z bitą śmietaną	Trzepaczka	Śmietana	125 ml	600 ml	Max.	Maks. 1-2 minuty	
	Kończówka do łączenia lekkich składników	Przetarte owoce	80 g	400 g	Funkcja do łączenia lekkich składników	1-2 minuty	
Pianka czekoladowa	Trzepaczka	Łączna ilość	600 g	1,5 kg	Max.	2½ minuty	Dodać stopioną czekoladę do mieszanej masy i połączyć wszystkie składniki jednocześnie. Białka dodawać po trochu na raz
	Kończówka do łączenia lekkich składników				Funkcja do łączenia lekkich składników		

## zalecane ilości składników – końcówka do łączenia lekkich składników

Rodzaj potrawy	Końcówka	Składniki	Min. ilość	Max. ilość	Zalecana prędkość	Przybliżony czas (o ile nie podano inaczej, jest to czas łączenia lekkich składników)	Porady i wskazówki
Makaroniki	Trzepączka	Łączna ilość	400 g	900 g	Maks.	1 min	
	Końcówka do łączenia lekkich składników				Funkcja do łączenia lekkich składników		

\* Powyższe wartości służą jedynie za wskazówkę i będą różne w zależności od konkretnego przepisu i rodzaju mieszanych składników.

W powyższej tabeli użyto średniej wielkości jaj (53-63 g).

## montaż i korzystanie z osłony przeciwrzpryskowej

- 1 Unieść głowicę miksera do momentu, aż zablokuje się w pozycji uniesionej.
- 2 Zamocować miskę w podstawie.
- 3 Mocno wsunąć osłonę przeciwrzpryskową w spodnią część głowicy miksera ⑥, aż znajdzie się we właściwym położeniu. Część z klapką powinna być ułożona w sposób pokazany na rysunku.
- 4 Zamocować wybraną końcówkę.
- 5 Opuścić głowicę miksera.
  - Podczas mieszania składniki można dodawać bezpośrednio do miski, otwierając klapkę w osłonie przeciwrzpryskowej ⑦.
  - Zdejmowanie osłony przeciwrzpryskowej przy zmianie końcówki nie jest konieczne.
- 6 Zdjąć osłonę rozpryskową, unosząc głowicę miksera i zsuwając osłonę.

# regulacja wysokości końcówki

## ubijak „K”, trzepaczka, końcówka do ucierania i końcówka do łączenia lekkich składników

Właściwa wysokość zawieszenia końcówek w załączonej w zestawie misce ustalana jest fabrycznie i nie powinna wymagać regulacji. Jeżeli jednak zajdzie potrzeba wyregulowania wysokości zawieszenia końcówki, należy użyć odpowiedniego klucza o rozmiarze 15 mm:

Następnie postępować według poniższych wskazówek.

- 1 Wyjąć wtyczkę urządzenia z gniazda sieciowego.
- 2 Unieść głowicę miksera i zamocować trzepaczkę lub ubijak.
- 3 Opuścić głowicę miksera. Jeżeli konieczne jest wyregulowanie wysokości zawieszenia końcówki, ponownie unieść głowicę i wyjąć końcówkę. Trzepaczka, ubijak „K” i końcówka do łączenia lekkich składników powinny **prawie** dotykać dna miski **8**.

### kończówka do ucierania

- Najlepsze wyniki uzyskamy, gdy końcówka będzie dotykać ścianek miski – podczas mieszania delikatnie ocierając o jej powierzchnię **13**.
- 4 Za pomocą odpowiedniego klucza poluzować nakrętkę na tyle, by możliwa była zmiana długości trzonka końcówki **9** lub **14**. Aby opuścić końcówkę niżej (by znalazła się bliżej dna miski), należy przekręcać trzonek w kierunku przeciwnym do ruchu wskazówek zegara. Aby podnieść końcówkę wyżej (dalej od dna miski),

przekręcać trzonek w kierunku zgodnym z ruchem wskazówek zegara.

- 5 Ponownie dokręcić nakrętkę.
- 6 Zamocować końcówkę w mikserze, a następnie opuścić głowicę. Sprawdzić pozycję końcówki (zob. punkty powyżej).
- 7 W razie konieczności czynność powtarzać do momentu, aż końcówka znajdzie się na odpowiedniej wysokości. Po wyregulowaniu wysokości końcówki mocno dokręcić nakrętkę.

- **Uwaga: klucz pokazany jest wyłącznie dla celów ilustracyjnych.**

### Kończówka do zagniatania ciasta

Wysokość tej końcówki została ustawiona fabrycznie i nie powinna wymagać regulacji.

# Rozwiązywanie problemów

Problem	Przyczyna	Rozwiązanie
Trzepaczka lub ubijak „K” uderza o dno miski lub nie sięga składników znajdujących się na jej dnie.	Niewłaściwa wysokość zawieszenia końcówki – należy ją wyregulować.	Wyregulować wysokość za pomocą odpowiedniego klucza – zob. część pt. „Regulacja wysokości końcówki”.
Kontrolka stanu gotowości miksera miga po podłączeniu robota do źródła zasilania.	Regulator prędkości nie znajduje się w pozycji „O”.	Przesunąć regulator prędkości do pozycji „O”.
Robot zatrzymuje się podczas pracy. Kontrolka stanu gotowości miksera miga bardzo szybko.	Włączyła się ochrona przeciążeniowa lub system zabezpieczający przed przegrzaniem. Przekroczono maksymalną pojemność.	Wyjąć wtyczkę z gniazda sieciowego i sprawdzić, czy nic nie przeszkadza w pracy urządzenia lub nie powoduje jego przeciążenia. Przesunąć regulator prędkości do pozycji „O”, a następnie ponownie uruchomić urządzenie. Jeżeli robot wciąż nie działa, wyjąć część składników z miski, aby odciążyc silnik, i ponownie uruchomić urządzenie. Jeżeli powyższe czynności nie rozwiązują problemu, wyjąć wtyczkę z gniazda sieciowego i odczekać 15 minut. Podłączyć urządzenie do zasilania i ponownie wybrać poprzednio ustawioną prędkość. Jeżeli po wykonaniu powyższej procedury robot nadal się nie uruchamia, skontaktować się z działem obsługi klienta.
Kontrolka stanu gotowości miksera miga wolno w czasie, gdy robot jest podłączony do źródła zasilania.	Robot był podłączony do zasilania przez ponad 30 minut, ale nie został użyty i przeszedł do trybu czuwania.	Przesunąć regulator prędkości do pozycji „Min”, a następnie ponownie do pozycji „O”, aby zresetować urządzenie.

# czyszczenie i serwis

## **konserwacja i czyszczenie**

- Przed przystąpieniem do czyszczenia należy zawsze wyłączyć urządzenie i wyjąć wtyczkę z gniazdka sieciowego.

### **korpus z silnikiem i zaślepka gniazda**

- Wytrzeć wilgotną szmatką, a następnie wysuszyć.
- Do czyszczenia nie używać środków ściernych ani nie zanurzać elementów w wodzie.
- Niepotrzebną część przewodu wsunąć do schowka na przewód ⑩ z tyłu urządzenia.

### **miska ze stali nierdzewnej**

- Umyć w zmywarce do naczyń bądź ręcznie, a następnie dobrze wysuszyć.
- Do czyszczenia miski ze stali nierdzewnej nie używać szczoteczek drucianych, druciaków ani środków wybielająco-dezynfekujących. Do usuwania kamienia używać octu.
- Przechowywać z dala od źródeł ciepła (kuchenki, piekarnika, mikrofalówki).

### **końcówki i osłona przeciwrozpryskowa**

- Umyć ręcznie, a następnie dobrze wysuszyć.

### **końcówka do ucierania**

- Przed czyszczeniem zawsze zdjąć elastyczne pióro z końcówki ⑮.
- Końcówkę i elastyczne pióro umyć w gorącej wodzie z dodatkiem płynu do naczyń, a następnie dobrze wysuszyć. Elementy te można także myć w zmywarce do naczyń.

Uwaga: przed użyciem oraz po użyciu końcówki należy sprawdzić jej stan, a także regularnie sprawdzać stan elastycznego pióra i po zauważeniu wszelkich śladów zużycia wymienić je na nowe.

### **miska szklana**

- Miskę umyć w gorącej wodzie z dodatkiem płynu do mycia naczyń, a następnie dokładnie ją wysuszyć.
- Można ją także myć w zmywarce.
- Uwaga: Kołnierz na podstawie miski można zdejmować i myć w taki sam sposób. Aby zdjąć kołnierz, pustą miskę przewrócić do góry dnem i odkręcić kołnierz, kręcąc go w kierunku przeciwnym do ruchu wskazówek zegara.

## serwis i punkty obsługi klienta

- W razie wszelkich problemów z obsługą urządzenia przed zwróceniem się o pomoc należy zapoznać się ze wskazówkami w części pt.: „rozwiązywanie problemów” w instrukcji obsługi urządzenia lub odwiedzić stronę internetową [www.kenwoodworld.com](http://www.kenwoodworld.com).
- Prosimy pamiętać, że niniejszy produkt objęty jest gwarancją, która spełnia wszystkie wymogi prawne dotyczące wszelkich istniejących praw konsumenta oraz gwarancyjnych w kraju, w którym produkt został zakupiony.
- W razie wadliwego działania produktu marki Kenwood lub wykrycia wszelkich usterek prosimy przesłać lub dostarczyć urządzenie do autoryzowanego punktu serwisowego firmy KENWOOD. Aktualne informacje na temat najbliższych punktów serwisowych firmy KENWOOD znajdują się na stronie internetowej firmy, pod adresem [www.kenwoodworld.com](http://www.kenwoodworld.com) lub adresem właściwym dla danego kraju.
- Zaprojektowała i opracowała firma Kenwood w Wielkiej Brytanii.
- Wyprodukowano w Chinach.



### **WAŻNE INFORMACJE DOTYCZĄCE PRAWIDŁOWEGO USUWANIA PRODUKTU, ZGODNEGO Z WYMOGAMI DYREKTYWY WSPÓLNOTY EUROPEJSKIEJ W SPRAWIE ZUŻYTEGO SPRZĘTU ELEKTRYCZNEGO I ELEKTRONICZNEGO (WEEE)**

Po zakończeniu okresu użytkowania produktu nie wolno wyrzucać razem z innymi odpadami komunalnymi. Należy go dostarczyć do prowadzonego przez władze miejskie punktu zajmującego się segregacją odpadów lub zakładu oferującego tego rodzaju usługi. Osobne usuwanie sprzętu AGD pozwala uniknąć szkodliwego wpływu na środowisko naturalne i zdrowie ludzkie, wynikającego z nieodpowiedniego usuwania tego rodzaju sprzętu, oraz umożliwia odzyskiwanie materiałów, z których sprzęt ten został wykonany, a w konsekwencji znaczną oszczędność energii i zasobów naturalnych. O konieczności osobnego usuwania sprzętu AGD przypomina umieszczony na produkcie symbol przekreślonego pojemnika na śmieci.

# Γνωρίστε την Κουζίνομηχανή Kenwood

## ασφάλεια

- Διαβάστε προσεκτικά τις οδηγίες και φυλάξτε τις για μελλοντική αναφορά.
- Αφαιρέστε τη συσκευασία και τυχόν ετικέτες.
- Εάν το βύσμα ή το καλώδιο υποστεί ζημιά, πρέπει, για λόγους ασφαλείας, να αντικατασταθεί από την Kenwood ή από εξουσιοδοτημένο τεχνικό της Kenwood προκειμένου να αποφευχθεί ενδεχόμενος κίνδυνος.
- Θέστε εκτός λειτουργίας και αποσυνδέστε τη συσκευή από το ρεύμα πριν προσαρμόσετε ή αφαιρέσετε εργαλεία/εξαρτήματα, μετά από τη χρήση και πριν από τον καθαρισμό.
- Κρατήστε τα δάχτυλά σας μακριά από τα κινούμενα μέρη και τα προσαρτημένα εξαρτήματα.
- Μην αφήνετε ποτέ τη συσκευή σε λειτουργία χωρίς να την επιβλέπετε.
- Ποτέ μη χρησιμοποιείτε συσκευή που έχει υποστεί βλάβη. Στείλτε την για έλεγχο ή επισκευή: βλ. ενότητα «σέρβις και εξυπηρέτηση πελατών».
- Μην αφήνετε ποτέ το καλώδιο να κρέμεται σε σημείο όπου μπορεί να το πιάσει ένα παιδί.
- Μην αφήνετε ποτέ να βραχούν η μονάδα τροφοδοσίας, το καλώδιο ή το φισ.
- Μην χρησιμοποιείτε ποτέ μη εγκεκριμένα εξαρτήματα ή και τις δύο υποδοχές ταυτόχρονα.
- Μην υπερβαίνετε ποτέ τις μέγιστες χωρητικότητες.
- Όταν χρησιμοποιείτε ένα εξάρτημα διαβάζετε τις οδηγίες ασφαλείας που το συνοδεύουν.
- Να προσέχετε όταν αφαιρείτε τα εργαλεία του μπλντ μετά από παρατεταμένη χρήση, καθώς μπορεί να είναι καυτά.
- Να είστε προσεκτικοί όταν σηκώνετε αυτή τη συσκευή γιατί είναι βαριά. Πριν τη σηκώσετε, βεβαιωθείτε ότι η κεφαλή

έχει ασφαλίσει και ότι το μπολ, τα εργαλεία, το κάλυμμα υποδοχής και το καλώδιο είναι στερεωμένα.

- Κατά την αφαίρεση της συσκευής να την σηκώνετε πάντα κρατώντας την από τη βάση και την κεφαλή του μίξερ. ΜΗΝ σηκώνετε ή μεταφέρετε τη συσκευή από τη λαβή του μπολ.
- Μην μετακινείτε ή ανασηκώνετε την κεφαλή του μίξερ ενώ βρίσκεται προσαρτημένο εκεί ένα εξάρτημα, καθώς μπορεί να αποσταθεροποιηθεί η Κουζινομηχανή.
- Μην χρησιμοποιείτε τη συσκευή σας κοντά στην άκρη μιας επιφάνειας εργασίας.
- Αυτή η συσκευή δεν πρέπει να χρησιμοποιείται από παιδιά. Φυλάσσετε τη συσκευή και το καλώδιό της μακριά από παιδιά.
- Τα παιδιά θα πρέπει να βρίσκονται υπό επίβλεψη έτσι ώστε να διασφαλίζεται ότι δεν παίζουν με τη συσκευή.
- Η κακή χρήση της συσκευής σας μπορεί να προκαλέσει τραυματισμό.
- Οι συσκευές μπορούν να χρησιμοποιούνται από άτομα με μειωμένες σωματικές, αισθητηριακές ή νοητικές ικανότητες ή έλλειψη πείρας και γνώσης, εφόσον βρίσκονται υπό επίβλεψη ή τους έχουν δοθεί οδηγίες για την ασφαλή χρήση της συσκευής και εφόσον κατανοούν τους σχετικούς κινδύνους.
- Να χρησιμοποιείτε τη συσκευή μόνο για την οικιακή χρήση για την οποία προορίζεται. Η Kenwood δεν θα φέρει καμία ευθύνη εάν η συσκευή χρησιμοποιηθεί με ακατάλληλο τρόπο ή σε περίπτωση μη συμμόρφωσης με αυτές τις οδηγίες.

### **Γυάλινο μπολ**

- **Πριν από τη χρήση, βεβαιωθείτε ότι τα εργαλεία του μπολ είναι προσαρμοσμένα στο σωστό ύψος και ότι δεν αγγίζουν το κάτω μέρος του μπολ – ανατρέξτε στην ενότητα «προσαρμογή εργαλείων».**



- Για να μην προκληθεί ζημιά στο γυάλινο μπολ, μην ακουμπάτε το μπολ σε πηγές υψηλής θερμότητας, όπως ο φούρνος ή η επιφάνεια της ηλεκτρικής κουζίνας.
- Το γυάλινο μπολ είναι κατάλληλο για χρήση σε φούρνο μικροκυμάτων.

## Οδηγίες ειδικής φροντίδας

Το γυαλί είναι φυσικό υλικό και κατά την κατασκευή αυτού του μπολ δόθηκε ιδιαίτερη προσοχή ώστε να διασφαλιστεί η άψογη εμφάνισή του. Εντούτοις, ενδέχεται να υπάρχουν ορισμένες ορατές μικρές ατέλειες, οι οποίες είναι φυσιολογικές και αναμενόμενες και δεν επηρεάζουν την απόδοση του μπολ.

### προτού συνδέσετε τη συσκευή στην πρίζα

- Βεβαιωθείτε ότι η παροχή ρεύματος είναι ίδια με αυτή που αναγράφεται στο κάτω μέρος της συσκευής.
- **ΠΡΟΕΙΔΟΠΟΙΗΣΗ: ΑΥΤΗ Η ΣΥΣΚΕΥΗ ΠΡΕΠΕΙ ΝΑ ΕΙΝΑΙ ΓΕΙΩΜΕΝΗ.**

- Αυτή η συσκευή συμμορφώνεται με τον Κανονισμό ΕΚ 1935/2004 σχετικά με τα υλικά και τα αντικείμενα που προορίζονται να έρθουν σε επαφή με τρόφιμα.

### πριν από την πρώτη χρήση

- Πλύνετε τα μέρη: βλ. ενότητα «φροντίδα και καθαρισμός».

## Το μίξερ

### επεξήγηση συμβόλων

- ① κεφαλή του μίξερ
- ② υποδοχή εξαρτήματος
- ③ κάλυμμα υποδοχής
- ④ υποδοχή εργαλείου
- ⑤ μπολ
  - a ανοξείδωτο (εάν παρέχεται)
  - b γυάλινο (εάν παρέχεται)
- ⑥ διακόπτης ενεργοποίησης/ απενεργοποίησης και ταχύτητας
- ⑦ ενδεικτική λυχνία κατάστασης μίξερ
- ⑧ σώμα του μίξερ
- ⑨ μοχλός αποσύνδεσης κεφαλής
- ⑩ χώρος αποθήκευσης καλωδίου
- ⑪ χτυπητήρι Κ
- ⑫ αναδευτήρι
- ⑬ σπειροειδές εξάρτημα ζυμώματος

⑭ χτυπητήρι για κρεμώδες μείγμα (εάν παρέχεται)

⑮ εργαλείο για ανακάτεμα (αν παρέχεται)

⑯ σπάτουλα

⑰ καπάκι κατά του πιπιλισματος

### τα εργαλεία ανάμειξης και μερικές από τις χρήσεις τους

#### Χτυπητήρι Κ

- Για να παρασκευάζετε κέικ, μπισκότα, γλυκά, γλάσο, γέμιση γλυκών, εκλέρ και πουρέ.

#### αναδευτήρι

- Για αβγά, κρέμα, κουρκούτι, παντεσπάνι με λίγα λιπαρά, μαρέγκες, τσιζκέικ, μους, σουφλέ. Μην χρησιμοποιείτε το αναδευτήρι για πυκνά μείγματα (π.χ.

# το μίξερ

ανάμειξη βουτύρου και ζάχαρης) – μπορεί να προκληθεί βλάβη.

## εξάρτημα ζυμώματος

- Μόνο για μείγματα με μαγιά.

## εργαλείο για ανακάτεμα

- Το εργαλείο για ανακάτεμα έχει σχεδιαστεί για να ανακατεύετε ελαφριά υλικά σε πιο βαριά μείγματα, όπως, για παράδειγμα, μαρέγκες, μους, φρούτα με σαντιγί, γενοβέζικο παντεσπάνι, σουφλέ, και για να ανακατεύετε το αλεύρι στα μείγματα για κέικ. Δεν προορίζεται για χρήση με πιο βαριά μείγματα, όπως ζύμη, μείγμα από βούτυρο και ζάχαρη ή μείγματα για κέικ με ανάμειξη όλων των υλικών μαζί.

## χτυπητήρι για κρεμώδες μείγμα

- Το χτυπητήρι για κρεμώδες μείγμα έχει σχεδιαστεί για τη δημιουργία μειγμάτων με κρεμώδη υφή και την ανάμειξη μαλακών υλικών. Μην το χρησιμοποιείτε για βαριά μείγματα, όπως ζύμη ή σκληρά υλικά, για παράδειγμα, υλικά που περιέχουν κουκούτσια φρούτων, κόκκαλα ή κελύφη.

## τοποθέτηση της εύκαμπτης λεπίδας

- Η εύκαμπτη λεπίδα είναι ήδη τοποθετημένη και θα πρέπει πάντα να αφαιρείται για τον καθαρισμό 15.
- 1 Τοποθετήστε προσεκτικά την εύκαμπτη λεπίδα στο εργαλείο βάζοντας τη βάση της στην υποδοχή 10 και, στη συνέχεια, εφαρμόστε τη μία πλευρά στην εγκοπή, προτού στερεώσετε με προσοχή την άκρη στη θέση της 11. Επαναλάβετε τη διαδικασία για την άλλη πλευρά 12.

## για να χρησιμοποιήσετε το μίξερ

- 1 Ανασηκώστε το μοχλό αποσύνδεσης κεφαλής 9 στην πίσω πλευρά της κουζινομηχανής 1 και, ταυτόχρονα, ανασηκώστε την κεφαλή 1 μέχρι να ασφαλίσει στην υψηλή θέση 2.
- 2 Τοποθετήστε το εργαλείο που χρειάζεστε στην υποδοχή. Έπειτα, πιέστε προς τα πάνω 3 και στρέψτε 4 το εργαλείο για να ασφαλίσει στη θέση του.
- 3 Προσαρμόστε το μπολ πάνω στη βάση. Τοποθετήστε τη λαβή ακριβώς πάνω από το σύμβολο απασφάλισης 6 και, στη συνέχεια, γυρίστε απαλά το μπολ δεξιόστροφα, έως ότου η λαβή βρεθεί ακριβώς πάνω από το σύμβολο ασφάλισης 6. ΜΗΝ ΑΣΚΕΙΤΕ υπερβολική δύναμη και ΜΗΝ σφίγγετε υπερβολικά 5.
- 4 Ανασηκώστε το μοχλό αποσύνδεσης κεφαλής 9 στην πίσω πλευρά της κουζινομηχανής και, ταυτόχρονα, κατεβάστε την κεφαλή του μίξερ 1.
- 5 Συνδέστε τη συσκευή με την παροχή ρεύματος και η «ενδεικτική λυχνία κατάστασης μίξερ» θα ανάψει.
- 6 Θέστε τη συσκευή σε λειτουργία στρέφοντας το διακόπτη ταχύτητας στην επιθυμητή ρύθμιση.
- 7 Απασφαλίστε το εργαλείο από την υποδοχή στρέφοντάς το δεξιόστροφα και, στη συνέχεια, αφαιρέστε το.

## σημαντικό

- Εάν σηκώσετε την κεφαλή του μίξερ ενόσω βρίσκεται σε λειτουργία, η συσκευή θα σταματήσει αμέσως να λειτουργεί. Για να θέσετε πάλι το μίξερ σε λειτουργία, χαμηλώστε την κεφαλή, στρέψτε το διακόπτη ταχύτητας

# το μίξερ

στη θέση «Ο» (Απενεργοποίηση), περιμένετε λίγα δευτερόλεπτα και επιλέξτε πάλι την ταχύτητα. Το μίξερ θα πρέπει να αρχίσει να λειτουργεί αμέσως.

- Όποτε ανασηκώνετε την κεφαλή του μίξερ, η «ενδεικτική λυχνία κατάστασης μίξερ» σβήνει. Όταν κατεβάζετε την κεφαλή, η ενδεικτική λυχνία ανάβει υποδεικνύοντας ότι το μίξερ είναι έτοιμο για χρήση.

## συμβουλές

- Η λειτουργία για ανακάτεμα Ω μπορεί να χρησιμοποιηθεί για να ανακατεύετε ελαφριά υλικά σε πιο βαριά μείγματα, όπως, για παράδειγμα, μαρέγκες, μους, φρούτα με σαντιγί, γενοβέζικο παντεσπάνι και σουφλέ, και για να αναμειγνύετε σιγά σιγά το αλεύρι και τα φρούτα στα μείγματα για κέικ. Το μίξερ θα λειτουργεί σε σταθερά χαμηλή ταχύτητα.
- Για να ενσωματωθούν πλήρως τα υλικά στο μείγμα, να διακόπτετε την ανάμειξη και να ξεκολλάτε τα υλικά από τα τοιχώματα του μπολ με τη σπάτουλα.
- Είναι καλύτερο τα αυγά που χτυπάτε να βρίσκονται σε θερμοκρασία δωματίου.
- Πριν χτυπήσετε τα ασπράδια, βεβαιωθείτε ότι δεν υπάρχει λίπος ή κρόκος αυγού στο χτυπητήρι ή στο μπολ.
- Χρησιμοποιείτε κρύα υλικά για ζύμη εκτός και αν η συνταγή απαιτεί το αντίθετο.
- Όταν χτυπάτε βούτυρο και ζάχαρη για την παρασκευή μείγματος για κέικ, χρησιμοποιείτε πάντα βούτυρο σε θερμοκρασία δωματίου η μαλακώστε το πρώτα.
- Η κουζινομηχανή σας διαθέτει λειτουργία «απαλής έναρξης» που

ελαχιστοποιεί το πιτσίσισμα. Εάν, όμως, η συσκευή έχει τεθεί σε λειτουργία με παχύρρευστο μείγμα στο μπολ ζύμη για ψωμί, ίσως παρατηρήσετε ότι χρειάζονται μερικά δευτερόλεπτα μέχρι το μίξερ να αρχίσει να λειτουργεί στην ταχύτητα που έχετε επιλέξει.

## ηλεκτρονικός αισθητήρας ελέγχου ταχυτήτων

Το μίξερ σας είναι εξοπλισμένο με ηλεκτρονικό αισθητήρα ελέγχου ταχυτήτων που είναι σχεδιασμένος να διατηρεί σταθερή ταχύτητα κάτω από διαφορετικές συνθήκες φορτίου, όπως όταν ανακατεύει ζύμη ψωμιού ή όταν προστίθενται τα αβγά σε μείγμα κέικ. Συνεπώς, ενδέχεται να ακούσετε μια διαφοροποίηση στην ταχύτητα κατά τη διάρκεια της λειτουργίας, καθώς το μίξερ προσαρμόζεται στην επιλογή φορτίου και ταχύτητας – αυτό είναι φυσιολογικό.

## σημαντικές συμβουλές για τη χρήση του εργαλείου για ανακάτεμα

- Μην χρησιμοποιείτε υψηλή ταχύτητα, καθώς για βέλτιστη απόδοση στο ανακάτεμα απαιτείται χαμηλή ταχύτητα.
- Το εργαλείο δεν προορίζεται για την ανάμειξη ζεστών υλικών. Αφήστε τα υλικά να κρυώσουν προτού χρησιμοποιήσετε το εργαλείο για ανακάτεμα.
- Για καλύτερα αποτελέσματα, μην χτυπάτε υπερβολικά τα ασπράδια αβγών ή την κρέμα, διότι το εργαλείο για ανακάτεμα δεν θα μπορεί να ανακατέψει καλά το μείγμα εάν είναι πολύ σφιχτό.

# το μίξερ

- Μην ανακατεύετε το μείγμα για πολλή ώρα, διότι θα φύγει όλος ο αέρας και το μείγμα θα είναι πολύ αραιό. Σταματήστε όταν όλα τα υλικά έχουν αναμειχθεί καλά.
- Τυχόν υλικά που δεν ανακατεύονται και παραμένουν πάνω στο αναδευτήρι ή στα τοιχώματα του μπολ θα πρέπει να τα προσθέσετε προσεκτικά στο μείγμα χρησιμοποιώντας μια σπάτουλα.

## σημαντικές παρατηρήσεις για την παρασκευή ψωμιού

- Ποτέ μην υπερβαίνετε τις μέγιστες χωρητικότητες – θα υπερφορτώσετε τη συσκευή.
- Εάν αντιληφθείτε ότι η συσκευή καταπονείται, θέστε την εκτός λειτουργίας, αφαιρέστε τη μισή ζύμη και επεξεργαστείτε τη ζύμη σε δύο δόσεις.
- Τα υλικά αναμειγνύονται καλύτερα εάν τοποθετείτε πρώτα τα υγρά.
- Ανά διαστήματα να απενεργοποιείτε τη συσκευή και να ξεκολλάτε το μείγμα από το εξάρτημα ζυμώνματος.
- Οι διαφορετικές δόσεις αλευριού ποικίλλουν σημαντικά ως προς τις ποσότητες του υγρού που απαιτούνται και η κολλώδης υφή της ζύμης μπορεί να αυξήσει σημαντικά την καταπόνηση στην οποία υπόκειται η συσκευή. Σας συμβουλεύουμε να επιβλέπετε τη συσκευή ενώ παρασκευάζεται η ζύμη.

## το μίξερ

πίνακας συνιστώμενων ταχυτήτων και μέγιστων ποσοτήτων				
Τα παρακάτω στοιχεία αποτελούν απλώς έναν γενικό οδηγό και ενδέχεται να ποικίλλουν, ανάλογα με την ποσότητα του μείγματος στο μπολ και τα υλικά που αναμειγνύονται.				
εργαλείο/ εξάρτημα	τύπος συνταγής	ταχύτητα	μέγιστος χρόνος	μέγιστες ποσότητες
Αναδευτήρι	Ασπράδια αβγών	Μέγ.	3 λεπτά	2-12 (455 g)
	Κρέμα		2-3 λεπτά	1 λίτρο
Χτυπητήρι	Μείγματα για κέικ με ανάμειξη όλων των υλικών μονομιάς	Μέγ.	2 λεπτά	Συνολικό βάρος 2 kg μείγμα με 10 αβγά
	Ανάμειξη βουτύρου με αλεύρι	Από Ελάχ. έως Ταχύτητα 2	2-3 λεπτά	680 g αλεύρι
	Προσθήκη νερού για τηνανάμειξη υλικών για γλυκά	Ελάχ.	30 δευτ.	
Χτυπητήρι για κρεμώδες μείγμα	Κέικ φρούτων			Συνολικό βάρος 2,72 kg μείγμα με 9 αβγά
	Ανάμειξη βουτύρου και ζάχαρης	Μέγ.	1½ - 3½ λεπτά	
	Προσθήκη αβγών	Μέγ.	1-2 λεπτά	
	Ανακάτεμα με αλεύρι, φρούτα κ.λπ.	Από Ελάχ. έως Ταχύτητα 1	30 δευτ.-1 λεπτό	
Εξάρτημα ζυμώνματος	Ζύμη ψωμιού (σφιχτή με μαγιά)	Από Ελάχ. έως Ταχύτητα 1	5 λεπτά	Βάρος αλευριού 1.35 kg Συνολικό βάρος 2,17 kg

\* Μέγεθος αβγών που χρησιμοποιούνται = μεσαίο (Βάρος 53-63 g)

# το μίξερ

πίνακας συνιστώμενων ποσοτήτων – εργαλείο για ανακάτεμα							
Τύπος συνταγής	Εργαλείο	Υλικά	Ελάχ. ποσót.	Μέγ. ποσót.	Συνιστώμενη ταχύτητα	Χρόνος κατά προσέγγ. (για το ανακάτεμα εκτός εάν αναφέρεται)	Συμβουλές και υποδείξεις
Γενοβέζικο παντεσπάνι / Παντεσπάνι	Αναδευτήρι	Αβγά	3	9	Μέγ.	4 – 5 λεπτά	Χτυπήστε τα αβγά με τη ζάχαρη έως ότου δημιουργηθεί ένα παχύ, ανοιχτόχρωμο κρεμώδες μείγμα.
	Εργαλείο για ανακάτεμα	Αλεύρι	85 g	250 g	Λειτουργία για ανακάτεμα	2 – 8 λεπτά	Για να προσθέσετε το αλεύρι, τοποθετήστε το σε λαδόκολλα και διπλώστε την στην άκρη ώστε να δημιουργήσετε ένα χωνί. Προσθέστε το αλεύρι σταδιακά στο μείγμα, χρησιμοποιώντας τη λειτουργία για ανακάτεμα. Η διαδικασία αυτή μπορεί να διαρκέσει έως και 8 λεπτά, γι' αυτό θα πρέπει να έχετε υπομονή και να περιμένετε έως ότου κάθε δόση αλεύρι ενσωματωθεί στο μείγμα, προτού προσθέσετε την επόμενη.
Συνολικό μείγμα		350 g	1 kg				
Σουφλέ	Αναδευτήρι	Αβγά	2	6	Μέγ.	1 λεπτό	Χτυπήστε με το αναδευτήρι το ένα τρίτο της μαρέγκας στην ταχύτητα 3, προτού ανακατέψετε τα υπόλοιπα ασπράδια.
	Εργαλείο για ανακάτεμα	Συνολικό μείγμα	300 g	900 g	Λειτουργία για ανακάτεμα	1 λεπτό	
Φρούτα με σαντιγί	Αναδευτήρι	Κρέμα	125 ml	600 ml	Μέγ.	1 – 2 λεπτά μέγ.	
	Εργαλείο για ανακάτεμα	Φρουτοπολτός	80 g	400 g	Λειτουργία για ανακάτεμα	1–2 λεπτό	
Μους σοκολάτας	Αναδευτήρι	Συνολικό μείγμα	600 g	1,5 kg	Μέγ.	2½ λεπτό	Προσθέστε τη λιωμένη σοκολάτα στο μείγμα και ανακατέψτε όλα τα υλικά μαζί. Ανακατέψτε τα ασπράδια λίγο-λίγο.
	Εργαλείο για ανακάτεμα				Λειτουργία για ανακάτεμα		
Μακαρόν	Αναδευτήρι	Συνολικό μείγμα	400 g	900 g	Μέγ.	1 λεπτό	
	Εργαλείο για ανακάτεμα				Λειτουργία για ανακάτεμα		

\* Οι παραπάνω πληροφορίες είναι απλώς συμβουλευτικού χαρακτήρα και ποικίλλουν ανάλογα με τη συνταγή και τα υλικά που επεξεργάζεστε.

Μέγεθος αβγών που αναφέρονται στον πίνακα = μεσαίο (53 g – 63 g).

## για να προσαρμόσετε και να χρησιμοποιήσετε το καπάκι κατά του πιτσιλίσματος

- 1 Σηκώστε την κεφαλή του μίξερ μέχρι να ασφαλίσει.
- 2 Προσαρμόστε το μπολ ανάμιξης επάνω στη βάση.
- 3 Πιέστε το καπάκι κατά του πιτσιλίσματος στο κάτω μέρος της κεφαλής του μίξερ **6** μέχρι να εφαρμόσει στη θέση του. Το αρθρωτό κομμάτι πρέπει να βρίσκεται στη θέση που εικονίζεται.
- 4 Εισάγετε τον κατάλληλο αναδευτήρα.
- 5 Κατεβάστε την κεφαλή του μίξερ.
  - Όσο διαρκεί η ανάμιξη, μπορείτε να προσθέτετε υλικά απευθείας στο μπολ ρίχνοντάς τα μέσα από το άνοιγμα που σχηματίζει το αρθρωτό κομμάτι από το καπάκι κατά του πιτσιλίσματος **7**.
  - Δε χρειάζεται να αφαιρέσετε το καπάκι κατά του πιτσιλίσματος για να αλλάξετε εξαρτήματα.
- 6 Αφαιρέστε το καπάκι κατά του πιτσιλίσματος σηκώνοντας την κεφαλή του μίξερ και τραβώντας το προς τα κάτω.

## προσαρμογή εργαλείων

### Χτυπητήρι Κ, αναδευτήρι, χτυπητήρι για κρεμώδες μείγμα και εργαλείο για ανακάτεμα

Τα εργαλεία είναι ρυθμισμένα στο σωστό ύψος για το μπολ που παρέχεται από το εργοστάσιο κατασκευής και δεν θα πρέπει να χρειάζονται προσαρμογή. Ωστόσο, εάν επιθυμείτε να προσαρμόσετε το εργαλείο, χρησιμοποιήστε ένα κατάλληλο γαλλικό κλειδί 15 mm: Στη συνέχεια ακολουθήστε τις παρακάτω οδηγίες:

- 1 Αποσυνδέστε τη συσκευή από την πρίζα.
- 2 Ανασηκώστε την κεφαλή του μίξερ και τοποθετήστε το αναδευτήρι ή το χτυπητήρι.
- 3 Κατεβάστε την κεφαλή του μίξερ. Εάν η απόσταση πρέπει να ρυθμιστεί, ανασηκώστε την κεφαλή του μίξερ και αφαιρέστε το εργαλείο. Ιδανικά, το αναδευτήρι το χτυπητήρι Κ και το εργαλείο για ανακάτεμα θα πρέπει να ακουμπούν **σχεδόν 8** στο κάτω μέρος του μπολ **8**.  
**χτυπητήρι για κρεμώδες μείγμα**
  - Ιδανικά, πρέπει να έρχεται σε επαφή με την επιφάνεια του μπολ, ώστε να «σκουπίζει» απαλά τα τοιχώματα του μπολ μπολ κατά τη διάρκεια της ανάμιξης **13**.
- 4 Χρησιμοποιώντας το κατάλληλο γαλλικό κλειδί, χαλαρώστε το παξιμάδι όσο χρειάζεται για να ρυθμίσετε τον άξονα **9** ή **14**. Για να τοποθετήσετε το εργαλείο χαμηλότερα και πιο κοντά στο κάτω μέρος του μπολ, στρέψτε τον άξονα αριστερόστροφα. Για να τοποθετήσετε το εργαλείο πιο ψηλά από το κάτω μέρος του μπολ, στρέψτε τον άξονα δεξιόστροφα.

# προσαρμογή εργαλείων

- 5 Σφίξτε ξανά το παξιμάδι.
- 6 Προσαρμόστε το εργαλείο στο μίξερ και κατεβάστε την κεφαλή του μίξερ. (Ελέγξτε τη θέση του, βλ. τις οδηγίες παραπάνω).
- 7 Επαναλάβετε τα παραπάνω βήματα όσες φορές χρειαστεί, έως ότου το εργαλείο τοποθετηθεί σωστά. Στη

συνέχεια, σφίξτε καλά το παξιμάδι.

- **Σημείωση: Το γαλλικό κλειδί απεικονίζεται μόνο για λόγους εικονογράφησης.**

## **Εξάρτημα ζυμώματος**

Αυτό το εργαλείο ρυθμίζεται στο εργοστάσιο και δεν θα πρέπει να χρειάζεται προσαρμογή.

## Οδηγός αντιμετώπισης προβλημάτων

Πρόβλημα	Αιτία	Λύση
Το αναδευτήρι ή το χτυπητήρι Κ χτυπούν στο κάτω μέρος του μπολ ή δεν επεξεργάζονται τα υλικά στο κάτω μέρος του μπολ.	Το εργαλείο βρίσκεται σε λάθος ύψος και χρειάζεται ρύθμιση.	Προσαρμόστε το ύψος χρησιμοποιώντας ένα κατάλληλο γαλλικό κλειδί – βλ. ενότητα «Προσαρμογή εργαλείων».
Η «ενδεικτική λυχνία κατάστασης μίξερ» αναβοσβήνει όταν η Κουζινομηχανή συνδέεται στο ρεύμα για πρώτη φορά.	Το κουμπί ελέγχου Ταχύτητας δεν βρίσκεται στη θέση «Ο».	Ελέγξτε και γυρίστε το κουμπί ελέγχου ταχύτητας στη θέση «Ο».
Η Κουζινομηχανή σταματά ενώ λειτουργεί. Η «ενδεικτική λυχνία κατάστασης μίξερ» αναβοσβήνει γρήγορα.	Το σύστημα προστασίας από την υπερφόρτωση ή από την υπερθέρμανση είναι ενεργό. Υπέρβαση της μέγιστης ποσότητας.	Αποσυνδέστε από την πρίζα και ελέγξτε εάν υπάρχουν εμπόδια ή υπερφόρτωση. Γυρίστε το κουμπί ελέγχου ταχύτητας στη θέση «Ο» και θέστε ξανά τη συσκευή σε λειτουργία. Εάν η συσκευή δεν λειτουργεί, αφαιρέστε μερικά από τα υλικά για να μειώσετε το βάρος και θέστε ξανά τη συσκευή σε λειτουργία. Εάν το πρόβλημα παραμένει, αποσυνδέστε τη συσκευή από την πρίζα και αφήστε τη εκτός λειτουργίας για 15 λεπτά. Συνδέστε τη στην πρίζα και επιλέξτε πάλι ταχύτητα. Εάν, αφότου εφαρμόσετε την παραπάνω διαδικασία, η συσκευή εξακολουθεί να μην λειτουργεί, επικοινωνήστε με το τμήμα «εξυπηρέτησης πελατών» για περαιτέρω βοήθεια.



# Οδηγός αντιμετώπισης προβλημάτων

Πρόβλημα	Αιτία	Λύση
Η «ενδεικτική λυχνία κατάστασης μίξερ» αναβοσβήνει αργά όταν η συσκευή συνδέεται στο ρεύμα.	Η Κουζίνομηχανή έχει μείνει στην πρίζα περισσότερο από 30 λεπτά χωρίς να λειτουργεί και έχει μεταβεί σε λειτουργία αναμονής.	Στρέψτε το διακόπτη ταχύτητας στην ελάχιστη ταχύτητα («min») και, στη συνέχεια, στη θέση «Ο» για να επανενεργοποιηθεί η συσκευή.

## καθαρισμός και σέρβις

### φροντίδα και καθαρισμός

- Θέτετε πάντα εκτός λειτουργίας και αποσυνδέετε τη συσκευή από το ρεύμα πριν από τον καθαρισμό.

#### μονάδα μοτέρ και κάλυμμα υποδοχής

- Σκουπίστε με ένα υγρό πανί, έπειτα στεγνώστε.
- Μην χρησιμοποιείτε ποτέ αποξεστικά προϊόντα και μην τα βυθίζετε σε νερό.
- Τοποθετείτε το καλώδιο που περισσεύει στον χώρο αποθήκευσης καλωδίου ⑩ στο πίσω μέρος της συσκευής.

#### ανοξειδωτο μπολ

- Πλύνετε στο χέρι, έπειτα στεγνώστε πολύ καλά ή πλύνετε στο πλυντήριο πιάτων.
- Μην χρησιμοποιείτε ποτέ συρμάτινη βούρτσα, σύρμα κουζίνας ή λευκαντικό για να καθαρίσετε το ανοξειδωτο μπολ σας. Χρησιμοποιείτε ξύδι για να αφαιρέτε τα στρώματα αλάτων.
- Κρατήστε το μακριά από πηγές θερμότητας (μαγειρικές εστίες, φούρνους, φούρνους μικροκυμάτων).

#### χτυπητήρι για κρεμώδες μείγμα

- Αφαιρείτε πάντα την εύκαμπτη λεπίδα από το εργαλείο πριν από τον καθαρισμό ⑮.
- Πλένετε την εύκαμπτη λεπίδα και το εργαλείο σε ζεστή σαπουνάδα και φροντίζετε να τα στεγνώνετε πολύ καλά. Εναλλακτικά, τα μέρη μπορούν να πλυθούν σε πλυντήριο πιάτων.

Σημείωση: Να επιθεωρείτε την κατάσταση του κυρίως σώματος του εργαλείου πριν και μετά τη χρήση και, επίσης, να επιθεωρείτε τακτικά την κατάσταση της εύκαμπτης λεπίδας και να την αντικαθιστάτε εάν υπάρχουν σημάδια φθοράς.

#### γυάλινο μπολ

- Πλένετε το μπολ με ζεστή σαπουνάδα και φροντίζετε να το στεγνώνετε πολύ καλά.
- Εναλλακτικά, μπορείτε να πλύνετε το μπολ στο πλυντήριο πιάτων.
- Σημείωση: Ο δακτύλιος στη βάση του μπολ είναι αφαιρούμενος και μπορείτε να τον πλύνετε με τον ίδιο τρόπο. Για να αφαιρέσετε τον δακτύλιο, γυρίστε ανάποδα το μπολ όταν είναι άδειο και ξεβιδώστε τον δακτύλιο, στρέφοντάς τον αριστερόστροφα.

# σέρβις και εξυπηρέτηση πελατών

- Εάν αντιμετωπίζετε προβλήματα με τη λειτουργία της συσκευής σας, προτού ζητήσετε βοήθεια ανατρέξτε στην ενότητα «οδηγός αντιμετώπισης προβλημάτων» του βιβλίου οδηγιών ή επισκεφθείτε τη διαδικτυακή τοποθεσία [www.kenwoodworld.com](http://www.kenwoodworld.com).
- Έχετε υπ' όψιν ότι το προϊόν καλύπτεται από εγγύηση, η οποία είναι σύμφωνη με όλες τις νομικές διατάξεις που αφορούν τυχόν υφιστάμενη εγγύηση και δικαιώματα καταναλωτών στη χώρα στην οποία αγοράστηκε το προϊόν.
- Εάν το προϊόν Kenwood που έχετε αγοράσει δυσλειτουργεί ή βρείτε τυχόν ελαττώματα, στείλτε το ή παραδώστε το σε εξουσιοδοτημένο Κέντρο Σέρβις της KENWOOD. Για ενημερωμένα στοιχεία σχετικά με το πλησιέστερο εξουσιοδοτημένο Κέντρο Σέρβις της KENWOOD, επισκεφθείτε τη διαδικτυακή τοποθεσία [www.kenwoodworld.com](http://www.kenwoodworld.com) ή τη διαδικτυακή τοποθεσία που αφορά συγκεκριμένα τη χώρα σας.
- Σχεδιάστηκε και αναπτύχθηκε από την Kenwood στο Ηνωμένο Βασίλειο.
- Κατασκευάστηκε στην Κίνα.



## **ΣΗΜΑΝΤΙΚΕΣ ΠΛΗΡΟΦΟΡΙΕΣ ΓΙΑ ΤΗ ΣΩΣΤΗ ΑΠΟΡΡΙΨΗ ΤΟΥ ΠΡΟΪΟΝΤΟΣ ΣΥΜΦΩΝΑ ΜΕ ΤΗΝ ΕΥΡΩΠΑΪΚΗ ΟΔΗΓΙΑ ΣΧΕΤΙΚΑ ΜΕ ΤΑ ΑΠΟΒΛΗΤΑ ΗΛΕΚΤΡΙΚΟΥ ΚΑΙ ΗΛΕΚΤΡΟΝΙΚΟΥ ΕΞΟΠΛΙΣΜΟΥ (ΑΗΗΕ)**

Στο τέλος της ωφέλιμης ζωής του, το προϊόν δεν πρέπει να απορρίπτεται με τα αστικά απορρίμματα.

Πρέπει να απορριφθεί σε ειδικά κέντρα διαφοροποιημένης συλλογής απορριμμάτων που ορίζουν οι δημοτικές αρχές ή στους φορείς που παρέχουν αυτήν την υπηρεσία. Η χωριστή απόρριψη μιας οικιακής ηλεκτρικής συσκευής επιτρέπει την αποφυγή πιθανών αρνητικών συνεπειών για το περιβάλλον και την υγεία από την ακατάλληλη απόρριψη και επιτρέπει την ανακύκλωση των υλικών από τα οποία αποτελείται ώστε να επιτυγχάνεται σημαντική εξοικονόμηση ενέργειας και πόρων. Για την επισήμανση της υποχρεωτικής χωριστής απόρριψης οικιακών ηλεκτρικών συσκευών, το προϊόν φέρει το σήμα του διαγραμμένου τροχοφόρου κάδου απορριμμάτων.

## poznajte svoj kuchynský robot Kenwood

### bezpečnosť

- Pozorne si prečítajte tieto inštrukcie a uchovajte si ich pre budúcu potrebu.
- Odstráňte všetky obaly a štítky.
- Ak sú zástrčka alebo kábel poškodené, musia sa byť z bezpečnostných dôvodov vymenené spoločnosťou Kenwood alebo autorizovaným opravárom Kenwood, aby sa zabránilo nebezpečenstvu.
- Pred nasadením alebo vybratím nástrojov/príslušenstva, po použití a pred čistením zariadenie vypnite a odpojte ho z elektrickej siete.
- Prsty držte v bezpečnej vzdialenosti od pohyblivých súčastí a nasadeného príslušenstva.
- Nikdy nenechávajte zapnuté zariadenie bez dozoru.
- Nikdy nepoužívajte poškodené zariadenie. Poškodené zariadenie dajte skontrolovať alebo opraviť: prečítajte si časť „servis a starostlivosť o zákazníkov“.
- Nikdy nenechávajte elektrickú šnúru visieť tak, aby ju mohli uchopiť deti.
- Pohonnú jednotku, elektrickú šnúru ani zástrčku nikdy nevystavujte vlhkosti.
- Nikdy nepoužívajte žiadne neschválené príslušenstvo alebo oba výstupy v rovnakom čase.
- Nikdy neprekračujte maximálne množstvá.
- Pri použití príslušenstva si prečítajte bezpečnostné pokyny, ktoré sa ho týkajú.
- Pri vyberaní nástrojov do nádoby po ich dlhšom používaní postupujte opatrne, lebo môžu byť horúce.
- Zariadenie je ťažké, pri jeho dvíhaní buďte opatrní. Pred zdvihnutím sa ubezpečte, že hlava robota je zaistená a že nádoba, nástroje, kryt výstupu a elektrická šnúra sú zaistené na svojom mieste.

- Ak prenášajte spotrebič, vždy ho zdvíhajte za podstavec a miešaciu hlavu. **NENADVÍHAJTE** ani neprenášajte spotrebič za držiak misy.
- Nehýbte hlavou robota ani ju nedvíhajte, keď je do nej založený nejaký nástroj, lebo vtedy by toto zariadenie mohlo stratiť stabilitu.
- Neuvádzajte toto zariadenie do chodu blízko okraja pracovného povrchu.
- Deti toto zariadenie nesmú používať. Toto zariadenie a jeho elektrickú šnúru držte mimo dosahu detí.
- Deti musia byť pod dohľadom, aby sa zaručilo, že sa nebudú s týmto zariadením hrať.
- Nesprávne používanie tohto zariadenia môže spôsobiť zranenie.
- Osoby, ktoré majú znížené fyzické, senzorické alebo mentálne schopnosti, majú o takýchto zariadeniach málo vedomostí alebo majú s takýmito zariadeniami málo skúseností, môžu toto zariadenie používať len pod dohľadom alebo po poučení o jeho bezpečnej obsluhu, pričom musia rozumieť súvisiacim rizikám.
- Toto zariadenie používajte len v domácnosti na stanovený účel. Spoločnosť Kenwood nepreberie žiadnu zodpovednosť za následky nesprávneho používania zariadenia, ako ani za následky nerešpektovania týchto inštrukcií.

### **Sklenená nádoba**

- **Pred použitím zabezpečte, aby nástroje do nádoby boli nastavené na správnu výšku a neboli v kontakte s dnom nádoby – prečítajte si časť „nastavovanie nástrojov“.**
- Aby ste predišli poškodeniu sklenenej nádoby, nedovoľte, aby prišla do kontaktu so zdrojmi vysokého tepla, ako je rúra alebo varná doska sporáku.
- Túto sklenenú nádobu možno bezpečne používať v mikrovlnnej rúre.

## Špeciálne pokyny týkajúce sa starostlivosti

Sklo je prírodný materiál. Pri výrobe tejto nádoby bola vynaložená maximálna snaha o to, aby mala dokonalý vzhľad. Napriek tomu môžu byť na nej viditeľné nejaké drobné nedostatky. To je normálne a nijako to neovplyvní jej funkcie.

### pred zapnutím zariadenia

- Overte si, či vaša elektrická sieť má také isté parametre, aké sú uvedené na spodnej strane zariadenia.
- **UPOZORNENIE: TOTO ZARIADENIE MUSÍ BYŤ UZEMNENÉ.**

- Toto zariadenie spĺňa požiadavky nariadenia Európskeho parlamentu a Rady (ES) č. 1935/2004 o materiáloch a predmetoch určených na styk s potravinami.

### Pred prvým použitím

- Umyte súčasti: prečítajte si časť „ošetrovanie a čistenie“.

## multifunkčný robot

### Legenda

- ① hlava robota
- ② výstup pre príslušenstvo
- ③ kryt výstupu
- ④ zásuvka na nástroj
- ⑤ nádoba
  - a z nehrdzavejúcej ocele (ak je dodaná)
  - b sklenená (ak je dodaná)
- ⑥ ovládač zapínania/vypínania a rýchlosti
- ⑦ svetelná kontrolka pripravenosti robota na použitie
- ⑧ telo robota
- ⑨ páčka na uvoľňovanie hlavy robota
- ⑩ úložný priestor pre elektrickú šnúru
- ⑪ metlička v tvare K
- ⑫ šľahacia metlička
- ⑬ špirálový hák na hnetenie cesta
- ⑭ stieracia metla (ak je dodaná)
- ⑮ nástroj na vmiešavanie (ak je dodaný)
- ⑯ stierka
- ⑰ kryt proti vyšplechovaniu

### nástroje na spracovanie a ich možné použitie

#### Metlička v tvare K

- Je určená na prípravu koláčov, trvanlivého a sladkého pečiva, poliev, plniek, plnených zákuskov a zemiakovej kaše.

#### Šľahacia metlička

- Je určená na šľahanie vajec, na prípravu krémov, liateho cesta, kysnutého cesta bez tuku, snehových pusiniék, tvarohových koláčov, šľahaných pien a bublanín. Nie je určená na šľahanie hustých zmesí (napríklad zmesi tuku s cukrom), lebo by sa pri tom mohla poškodiť.

#### Hák na hnetenie cesta

- Je určený len na prípravu kysnutých zmesí.

#### nástroj na vmiešavanie

- Nástroj na vmiešavanie je navrhnutý na vmiešavanie ľahkých alebo riedkych zložiek do hustejších zmesí, napríklad pri príprave snehových pusiniék,

# multifunkčný robot

šľahaných pien, ovocných pohárov, janovských koláčov, bublanín a podobne, a na vmiešavanie múky do zmesi na niektoré koláče a torty. Nie je určený na používanie pri príprave ťažkých zmesí, ako sú napríklad cesto, husté tukové krémy s cukrom či zmesi na múčne koláče.

## stieracia metla

- Je určená na šľahanie a miešanie mäkkých zložiek. Nie je určená na spracovávanie hustých zmesí, ako je napríklad cesto, ani na spracovávanie tvrdých zložiek, ktoré obsahujú napríklad kôstky, kosti alebo škrupiny.

## zakladanie stierky

- Stierka sa dodáva už založená. No pred čistením ju vždy treba vybrať ⑮.
- 1 Flexibilnú stierku opatrne založte na nástroj umiestnením jej základne do otvoru ⑩. Potom jednu stranu vložte do drážky a koniec opatrne zaistite na miesto ⑪. Zopakujte to aj s druhou stranou ⑫.

## používanie multifunkčného robota

- 1 Nadvihnite páčku na uvoľňovanie hlavy robota ⑨ v zadnej časti kuchynského robota ① a súčasne vyklopte nahor hlavu robota ①, kým sa nezistí v zdvihnutej pozícii ②.
- 2 Do zásuvky pre nástroje do nádoby vložte požadovaný nástroj. Potom ho zatlačte nahor ③ a otočte ním ④, aby ste ho zaistili do potrebnej pozície.
- 3 Nasadte nádobu na podstavec. Rúčku umiestnite priamo nad symbol odistenia ⑥, potom zľahka pootočte nádobu v protismere hodinových ručičiek, kým sa rúčka nebude nachádzať priamo pod symbolom

zaistenia ⑥. **NEPOUŽÍVAJTE** nadmernú silu a príliš ju **NEUŤAHUJTE** ⑤.

- 4 Nadvihnite páčku na uvoľňovanie hlavy robota ⑨ v zadnej časti kuchynského robota a súčasne sklopte nadol hlavu robota ①.
- 5 Zapojte do elektrickej siete, na čo sa rozsvieti svetelná kontrolka pripravenosti robota na použitie.
- 6 Zapnite pootočením ovládača rýchlosti do žiaducej pozície.
- 7 Založený nástroj uvoľnite jeho otáčaním v smere hodinových ručičiek, čo ho odistí. Potom ho vytiahnite.

## dôležité upozornenia

- Ak hlavu robota vyklopite počas chodu nahor, zariadenie sa hneď zastaví. Opäť ho spustíte tým, že sklopíte hlavu robota nadol, ovládač rýchlosti pretočíte do pozície „O“, počkáte niekoľko sekúnd a potom opätovne zvolíte rýchlosť. Zariadenie by sa hneď na to malo opäť spustiť.
- Vždy, keď vyklopite hlavu robota nahor, zhasne svetelná kontrolka pripravenosti robota na použitie. Po sklopení hlavy robota nadol sa táto kontrolka rozsvieti signalizujú, že robot je pripravený na použitie.

## tipy

- Funkciu vmiešavania ㉞ možno používať na vmiešavanie ľahkých alebo riedkych zložiek do hustejších zmesí, napríklad pri príprave snehových pusiniiek, šľahaných pien, ovocných pohárov, janovských koláčov, bublanín a podobne, a na pomalé zapracovávanie múky a ovocia do zmesí na koláče a torty. Robot bude pracovať konštantnou pomalou rýchlosťou.

# multifunkčný robot

- Mixovanie prerušujte a špachtľou zoškrabujte vnútorné steny a dno nádoby, aby ste dosiahli čo najlepšie spracovanie zložiek.
- Na šľahanie sú najlepšie vajíčka izbovej teploty.
- Pred šľahaním vaječných bielkov sa ubezpečte, že na šľahacej metličke ani na nádobe nie je žiadny tuk ani žltok.
- Na prípravu sladkého pečiva používajte studené zložky, ak nie je v recepte uvedené inak.
- Pri použití tuku na pečenie a cukru na koláčové zmesi používajte vždy tuk izbovej teploty alebo ho najprv nechajte zmäknúť.
- Váš kuchynský robot je vybavený funkciou „jemného štartu“ na minimalizovanie rozlievania obsahu nádoby. Pri zapnutí robota v prípade, že sa v nádobe nachádzajú husté zmesi, ako je cesto na chlieb, si môžete všimnúť, že robot potrebuje pár sekúnd, kým dosiahne zvolenú rýchlosť.

## snímač na elektronické ovládanie rýchlosti

Váš robot je vybavený snímačom na elektronické ovládanie rýchlosti, ktorý je určený na udržiavanie rýchlosti pri rôznych záťažiach, napríklad, keď sa miesi cesto na chlieb alebo keď sa pridávajú vajíčka do koláčovej zmesi. Počas chodu preto môžete počuť isté výkyvy rýchlosti, keďže robot sa prispôsobuje záťaži a zvolenej rýchlosti – ide o normálny jav.

## dôležité poznámky k používaniu nástroja na vmiešavanie

- Nepoužívajte vysokú rýchlosť, lebo pre optimálny výkon vmiešavania je potrebná pomalá rýchlosť.
- Tento nástroj nie je navrhnutý na mixovanie horúcich zložiek. Horúce zložky preto nechajte pred použitím tohto nástroja vychladnúť.
- V záujme dosahovania najlepších výsledkov nešľahajte vaječné bielka alebo smotanu príliš dlho. Nástroj na vmiešavanie nebude môcť premiešať zmes správne, ak bude vyšľahaný sneh príliš tuhý.
- Zmes nemiešajte príliš dlho, lebo by sa z nej uvoľnil vzduch a príliš by zvláčnela. Keď je zmes dostatočne spracovaná, vmiešavanie zastavte.
- Nevmiešané zvyšky zložiek nalepené na lopatke alebo na stenách mixovacej nádoby treba opatrne vmiešať do zmesi špachtľou.

## dôležité poznámky k príprave chleba

- Nikdy neprekračujte uvedené maximálne množstvá, aby ste zariadenie nepreťažili.
- Ak budete počuť, že zariadenie spomaľuje, vypnite ho, odoberte polovicu cesta a spracujte každú polovicu samostatne.
- Zložky sa najlepšie zmiešajú vtedy, ak najprv vložíte tekutinu.
- Zariadenie občas zastavte a zoškrabte zmes z háka na hnetenie cesta.

- Rôzne várky múky sa môžu značne líšiť z hľadiska požadovaného množstva tekutiny a lepkavosť cesta

môže mať zreteľný účinok na záťaž zariadenia. Preto vám radíme, aby ste zariadenie pri miešaní cesta pozorovali.

## multifunkčný robot

tabuľka odporúčaných rýchlostí a maximálnych množstiev				
Tieto informácie sú len orientačné a môžu sa líšiť v závislosti od množstva zmesi v nádobe a od mixovaných zložiek.				
nástroj/ príslušenstvo	typ receptu	rýchlosť	maximálne dĺžka trvania	maximálne množstvá
Šľahacia metlička	Vaječné bielka	maximálna	3 minúty	2 až 12 (455 g)
	Smotana		2 – 3 minúty	1 liter
Metlička v tvare K	Zmesi na múčne koláče	maximálna	2 minúty	celková hmotnosť 2 kg zmes 10 vajec
	Vtieranie tuku do múky	minimálna až rýchlosť č. 2	2 – 3 minúty	hmotnosť múky 680 g
	Pridávanie vody na spojenie zložiek cesta	minimálna	30 sekúnd	
Stieracia metla	Ovocný koláč			celková hmotnosť 2,72 kg zmes 9 vajec
	Šľahanie tuku s cukrom	maximálna	1½ – 3½ minúty	
	Pridávanie vajec	maximálna	1 – 2 minúty	
	Vmiešavanie múky, ovocia a podobne	minimálna až rýchlosť č. 1	30 sekúnd – 1 minúta	
Hák na hnetenie cesta	Cesto na chlieb (ťažké kysnuté)	minimálna až rýchlosť č. 1	5 minút	hmotnosť múky 1,35 kg celková hmotnosť 2,17 kg

\*Veľkosť použitých vajec = stredná (hmotnosť 53 až 63 g).



# multifunkčný robot

tabuľka odporúčaných množstiev – nástroj na vmiešavanie							
Typ receptu	Nástroj	Zložky	Min. množstvo	Max. množstvo	Odporúčaná rýchlosť	Približný čas (pre štádium vmiešavania, ak nie je uvedené inak)	Rady a tipy
Janovské koláče/ zákusky	šľahač	vajcia	3	9	maximálna	4–5 minút	Vajcia s cukrom šľahajte dovtedy, kým nebudú husté, svetlé a krémové.
	nástroj na vmiešavanie	múka	85 g	250 g	funkcia vmiešavania	2–8 minút	Múku pridávajte tak, že ju nasypete na papier, ktorý prehnete tak, aby vznikla náсыпка. Múku pridávajte do zmesi postupne používaním funkcie vmiešavania. Tento krok môže trvať až 8 minút, takže pred pridaním ďalšej časti múky trpezlivo čakajte, kým nedôjde k zapracovaniu predchádzajúcej časti múky do zmesi.
		kompletná zmes	350 g	1 kg			
Bublaniny	šľahač	vajcia	2	6	maximálna	1 minúta	Pomocou šľahača vmiešajte na rýchlostnom stupni č. 3 najprv štvrtinu snehu vyšľahaného z vaječných bielkov a potom pomocou nástroja na vmiešavanie vmiešajte jeho zvyšok.
	nástroj na vmiešavanie	kompletná zmes	300 g	900 g	funkcia vmiešavania	1 minúta	
Ovocné poháre	šľahač	smotana	125 ml	600 ml	maximálna	max. 1 – 2 minúty	
	nástroj na vmiešavanie	ovocné pyré	80 g	400 g	funkcia vmiešavania	1–2 minúty	
Čokoládová pena	šľahač	kompletná zmes	600 g	1,5 kg	maximálna	2,5 minúty	Pridajte roztopenú čokoládu do zmesi a všetku ju naraz vmiešajte do zmesi. Postupne po častiach vmiešavajte do zmesi vaječné bielka.
	nástroj na vmiešavanie				funkcia vmiešavania		
Mandľové pečivo	šľahač	kompletná zmes	400 g	900 g	maximálna	1 minúta	
	nástroj na vmiešavanie				funkcia vmiešavania		

\* Vyššie uvedené informácie sú len orientačné a môžu sa líšiť v závislosti od konkrétneho receptu a spracovávaných zložiek.

Veľkosť vaječ uvádzaných v tabuľke = stredná (53 g – 63 g).

## založenie a používanie krytu proti vyšplechovaniu

- 1 Dvihnite hlavu robota, až kým sa nezaistí.
- 2 Nasadte nádobu na podstavec.
- 3 Kryt proti vyšplechovaniu zatlačte na spodnú stranu hlavy robota ⑥, kým úplne nezapadne na miesto. Výklopná časť by mala byť umiestnená podľa zobrazenia.
- 4 Vložte požadovaný nástroj.
- 5 Sklopte hlavu robota.
  - Počas spracovania sa zložky môžu pridávať priamo do nádoby cez výklopnú časť krytu proti vyšplechnutiu ⑦.
  - Pri výmene nástrojov nemusíte skladať kryt proti vyšplechovaniu.
- 6 Ak chcete zložiť kryt proti vyšplechovaniu, dvihnite hlavu robota a kryt vytiahnite.

## nastavovanie nástrojov

### metlička v tvare K, šľahacia metlička, stieracia metla a nástroj na vmiešavanie

Nástroje sú už vo fabrike nastavované na správnu výšku v dodanej nádobe, a preto by nemalo byť potrebné upravovať to.

No ak napriek tomu budete chcieť upraviť nastavenie nejakého nástroja, použite na to vhodný 15 mm maticový kľúč:

Postupujte pritom podľa týchto inštrukcií:

- 1 Zariadenie odpojte z elektrickej siete.
- 2 Vyklopte hlavu robota a založte do nej metličku v tvare K alebo šľahaciu metličku.
- 3 Sklopte nadol hlavu robota. Ak medzeru medzi koncom daného nástroja a dnom nádoby treba upraviť, nadvihnite hlavu robota a nástroj z nej vyberte. Ideálne by sa mal koniec metličky v tvare K, šľahacej metličky alebo nástroja na vmiešavanie **takmer** dotýkať dna nádoby ⑧.

#### stieracia metla

- Ideálne by mala byť v kontakte s vnútorným povrchom nádoby, aby ju počas mixovania jemne stierala ⑬.
- 4 Kľúčom správnej veľkosti uvoľnite maticu natoľko, aby bolo možné posunúť hriadeľ ⑨ alebo ⑭. Ak nástroj treba spustiť nižšie ku dnu nádoby, otáčajte hriadeľom v protismere hodinových ručičiek. Ak nástroj treba posunúť vyššie nad dno nádoby, otáčajte hriadeľom v smere hodinových ručičiek.
  - 5 Opäť dotiahnite maticu.
  - 6 Nástroj založte do robota a sklopte

# nastavovanie nástrojov

hlavu robota. (Skontrolujte jeho pozíciu podľa bodov vyššie.)

7 Podľa potreby opakujte vyššie uvedené kroky, kým nástroj nebude nastavený správne. Keď bude nastavený správne, bezpečne dotiahnite maticu.

- **Poznámka: Maticový kľúč je znázornený len pre ilustračné účely.**

## Hák na hnetenie cesta

Tento nástroj je nastavený vo fabrike, a preto by nemalo byť potrebné upravovať ho.

## riešenie problémov

Problém	Príčina	Riešenie
Metlička v tvare K alebo šlahacia metlička udierajú o dno nádoby alebo naopak nezachytávajú zložky na dne nádoby.	Nástroj je nastavený na nesprávnu výšku.	Upravte výšku pomocou vhodného maticového kľúča – prečítajte si časť „nastavovanie nástrojov“.
Po prvom zapojení kuchynského robota do elektrickej siete bliká svetelná kontrolka pripravenosti robota na použitie.	Ovládač rýchlosti nie je v pozícii „O“.	Skontrolujte ovládač rýchlosti a pretočte ho do pozície „O“.
Kuchynský robot sa počas chodu zastavuje. Rýchlo bliká svetelná kontrolka pripravenosti robota na použitie.	Aktivovala sa ochrana proti preťaženiu alebo prehriatiu. Prekročené maximálne množstvo.	Zariadenie odpojte z elektrickej siete a skontrolujte, či mu niečo neprekáža alebo či nie je preťažené. Ovládač rýchlosti pretočte do pozície „O“ a zariadenie opäť zapnite. Ak zariadenie ani tak nefunguje, vyberte z neho nejaké zložky, aby ste znížili jeho zaťaženie, a opäť ho zapnite. Ak ani to problém nevyrieši, zariadenie odpojte z elektrickej siete a nechajte ho 15 minút postáť. Zapojte ho do elektrickej siete a opätovne zvolte rýchlosť. Ak sa zariadenie ani tak nespustí, skontaktujte sa s naším Oddelením starostlivosti o zákazníkov a vyžiadajte si ďalšie rady.
Keď je kuchynský robot zapojený do elektrickej siete, pomaly bliká svetelná kontrolka pripravenosti robota na použitie.	Zariadenie je zapojené do elektrickej siete dlhšie než 30 minút, ale nebolo uvedené do chodu, a preto prešlo do pohotovostného režimu.	Ovládač rýchlosti pretočte do pozície „min“ a potom ho vráťte do pozície „O“, aby ste zariadenie zresetovali.

# čistenie a servis

## ošetrovanie a čistenie

- Zariadenie pred čistením vždy vypnite a odpojte z elektrickej siete.

### pohonná jednotka a kryt výstupu

- Utierajte vlhkou handričkou a osušte.
- Nikdy nepoužívajte abrazívne čistiace prostriedky a neponárajte do vody.
- Prebytočnú časť elektrickej šnúry zatlačte do úložného priestoru pre elektrickú šnúru ⑩ nachádzajúceho sa v zadnej časti zariadenia.

### nádoba z nehrdzavejúcej ocele

- Umývajte ručne a potom dôkladne osušte alebo umývajte v umývačke riadu.
- Na čistenie nádoby z nehrdzavejúcej ocele nikdy nepoužívajte drôtenú kefu, drôtenku ani bielidlo. Na odstraňovanie vodného kameňa používajte ocot.
- Držte v bezpečnej vzdialenosti od zdrojov tepla (vrchná časť sporáka, rúra, mikrovlnná rúra a podobne).

### nástroje a kryt proti vyšplechovaniu

- Umývajte ručne a potom dôkladne osušte alebo umývajte v umývačke riadu.

### stieracia metla

- Pred jej čistením z nej vždy vyberte flexibilnú stierku ⑮.
- Flexibilnú stierku a metlu umyte v horúcej vode s čistiacim prostriedkom a potom ich dôkladne osušte. Eventuálne možno tieto súčasti umývať v umývačke riadu.

Poznámka: Pred použitím, ako aj po ňom, kontrolujte stav tela tohto nástroja. Pravidelne kontrolujte aj stav stierky, a ak je opotrebovaná, vymeňte ju.

## sklenená nádoba

- Nádobu umývajte v teplej vode s čistiacim prostriedkom. Potom ju treba dôkladne osušiť.
- Eventuálne ju možno bezpečne umývať v umývačke riadu.
- Poznámka: Krúžok na spodnej časti nádoby možno odnímať a umývať rovnakým spôsobom. Postup pri odnímaní krúžku: prázdnu nádobu obráťte naopak a krúžok odskrutkujte jeho točením v protismere hodinových ručičiek.

# servis a starostlivosť o zákazníkov

- Ak pri používaní tohto zariadenia narazíte na nejaké problémy, pred vyžiadaním pomoci si najprv prečítajte časť „riešenie problémov“ v príručke alebo navštívte webovú lokalitu [www.kenwoodworld.com](http://www.kenwoodworld.com).
- Na váš výrobok sa vzťahuje záruka vyhovujúca všetkým právnym ustanoveniam týkajúcim sa akýchkoľvek záruk a spotrebiteľských práv existujúcim v krajine, v ktorej bol výrobok zakúpený.
- Ak váš výrobok Kenwood zlyhá alebo na ňom nájdete nejaké chyby, pošlite alebo odnesť ho autorizovanému servisnému centru KENWOOD. Najbližšie autorizované servisné centrum KENWOOD môžete nájsť na webovej lokalite [www.kenwoodworld.com](http://www.kenwoodworld.com) alebo na jej stránke špecifickej pre vašu krajinu.
- Navrhla a vyvinula spoločnosť Kenwood v Spojenom kráľovstve.
- Vyrobené v Číne.



## **DÔLEŽITÉ INFORMÁCIE PRE SPRÁVNÚ LIKVIDÁCIU PRODUKTU PODĽA EURÓPSKEJ SMERNICE O ODPADE Z ELEKTRICKÝCH A ELEKTRONICKÝCH ZARIADENÍ (OEEZ)**

Po skončení životnosti sa tento výrobok nesmie likvidovať spoločne s domácim odpadom.

Musí sa odovzdať na príslušné zberné miesto špecializované na triedenie odpadu alebo predajcovi, ktorý poskytuje takúto službu.

Oddelenou likvidáciou domácich spotrebičov sa predchádza negatívnym následkom na životné prostredie a na zdravie človeka, ku ktorým by mohlo dôjsť v dôsledku ich nevhodnej likvidácie. Zároveň to umožňuje recykláciu jednotlivých materiálov, vďaka ktorej sa dosahuje značná úspora energií a prírodných zdrojov. Na pripomenutie nutnosti oddelenej likvidácie domácich spotrebičov je tento výrobok označený symbolom preškrtnutej nádoby na domáci odpad.

## Знайомство з кухонною машиною Kenwood

### заходи безпеки

- Уважно прочитайте інструкцію та збережіть її для подальшого використання.
- Зніміть упаковку та всі етикетки.
- У випадку пошкодження штекера або шнура з міркувань безпеки представник компанії Kenwood або спеціаліст з ремонту, уповноважений компанією Kenwood, повинен виконати їх заміну, щоб уникнути небезпеки.
- Вимикайте прилад та відключайте його від мережі електропостачання перед установкою або зніманням деталей/насадок, після використання та перед чищенням.
- Не наближайте пальці до рухомих деталей та встановлених насадок.
- Не залишайте прилад, що працює, без нагляду.
- Не використовуйте пошкоджені прилад. Перевірка або ремонт здійснюються у спеціальних центрах: дивіться розділ «Обслуговування та ремонт».
- Не допускайте звисання шнура у місцях, де до нього може дотягнутися дитина.
- Не допускайте попадання вологи на блок електродвигуна, шнур або вилку.
- Не використовуйте насадки, що не призначені для цього приладу, не використовуйте обидва отвори (патрубки) одночасно.
- Не перевищуйте максимальних показників.
- Користуючись насадкою, дотримуйтесь заходів безпеки, що зазначені у посібнику з експлуатації, наданому у комплекті.
- Обережно витягайте чашу після тривалої роботи, оскільки вона може бути гарячою.
- Будьте обережні піднімаючи цей прилад, оскільки він дуже важкий. Перш, ніж підняти прилад,

переконайтеся, що головку міксера зафіксовано, а чаша, насадки, кришки отворів та шнур надійно закріплені.

- Під час переміщення приладу завжди піднімайте його за основу підставки та головку змішувача. НЕ піднімайте та не переносьте прилад за ручку чаші.
- Не переміщуйте та не піднімайте головку міксера з встановленою насадкою, оскільки кухонна машина може втратити стійкість.
- Не встановлюйте прилад поблизу краю робочої поверхні.
- Цей прилад не призначений для використання дітьми. Тримайте прилад і шнур подалі від дітей.
- Не залишайте дітей без нагляду і не дозволяйте їм гратися із приладом.
- Невірне використання цього приладу може привести до травм.
- Не рекомендується користуватися цим приладом особам із обмеженими фізичними або ментальними можливостями або тим, хто має недостатньо досвіду в його експлуатації. Вищеназваним особам дозволяється користуватися приладом тільки після проходження інструктажу та під наглядом досвідченої людини і якщо вони розуміють пов'язані з цим ризики.
- Цей прилад призначений виключно для використання у побуті. Компанія Kenwood не несе відповідальності за невідповідне використання приладу або порушення правил експлуатації, викладених у цій інструкції.

### Скляна чаша

- **Перед використанням переконайтеся, що висота інструментів чаші настроєна вірно і вони не торкаються дна чаші – дивіться розділ «налаштування інструменту».**
- Щоб уникнути пошкодження скляної чаші, стежте за тим, щоб чаша не стикалася з джерелами високих температур, таких як духовка або плита.

- Скляну чашу можна використовувати у мікрохвильовій печі.

### Особливі вказівки щодо догляду

Скло є природним матеріалом. Під час виготовлення цієї чаші ми вжили усіх заходів, щоб надати їй оптимальну форму, проте можливо, що ви побачите на ній невеликі дефекти. Вони ніяк не вплинуть на роботу кухонної машини з чашею.

#### перед підключенням до мережі електропостачання

- Переконайтеся, що напруга електромережі у вашому домі відповідає показникам, вказаним на зворотній частині приладу.
- **УВАГА! ПРИСТРІЙ МАЄ БУТИ ЗАЗЕМЛЕНИЙ.**

- Цей прилад відповідає вимогам директиви ЄС 1935/2004 стосовно матеріалів, що безпосередньо контактують з їжею.

#### перед першим використанням

- Вимийте всі деталі, дивитесь розділ «Догляд та чищення».

## міксер

### покажчик

- ① головка міксера
- ② отвір для насадки
- ③ кришка отвору
- ④ гніздо для встановлення насадок
- ⑤ чаша
  - a нержавіюча сталь (якщо входить в комплект)
  - b скло (якщо входить в комплект)
- ⑥ перемикач on/off (увімкнути/вимкнути) і регулятор швидкості
- ⑦ світловий індикатор готовності міксера до роботи
- ⑧ корпус міксера
- ⑨ важіль розблокування головки
- ⑩ місце для зберігання шнура
- ⑪ К-насадка
- ⑫ віничок
- ⑬ спіральна насадка для замішування тіста
- ⑭ насадка для збивання вершків (якщо входить в комплект)

- ⑮ насадка для перемішування (якщо входить до комплекту)
- ⑯ лопатка
- ⑰ захист від бризок

### Насадки для вимішування та їх призначення

#### К-насадка

- Призначена для приготування тістечок, печива, кондитерських виробів із здобного тіста, цукрової глазури, наповнювачів, еклерів та картопляного пюре.

#### віничок

- Призначений для збивання яєць, кремів, рідкого тіста, кислого тіста без додавання жирів, меренгів, сирних пирогів, мусів та суфле. Не використовуйте віничок для вимішування густих сумішей (наприклад, збивання жиру з цукром), адже ви можете пошкодити насадку.



# міксер

## Гачок для тіста

- Лише для дріжджових сумішей.

## насадку для перемішування

- Насадка для перемішування призначена для змішування легких інгредієнтів в більш густі суміші, наприклад, меренги, муси, фруктові десерти, генуезькі бісквіти, суфле, а також легкого змішування борошна з порошком для кексу. Насадка не повинна використовуватися для змішування таких густих сумішей як тісто, вершковий жир і цукор або порошоків для кексу з повним набором компонентів.

## насадку для збивання вершків

- Насадка для збивання вершків призначена для збивання і перемішування м'яких інгредієнтів. Не використовуйте її для перемішування тіста або твердих інгредієнтів, наприклад, фруктів з кісточками, кісток або раковин.

## Як встановити скребок

- Скребок завжди продається вже встановленим і його обов'язково знімати для очищення 15.
- 1 Обережно встановіть гнучкий скребок помістивши його нижню частину в розріз 10, потім вставте один бік у жолобок та обережно зачіпіть його кінець у верхньому положенні, 11. Повторіть з іншого боку 12.

## Як користуватися міксером

- 1 Підніміть важіль розблокування головки 9, розташований на задній частині кухонної машини 1, одночасно піднімаючи головку

міксера 1, доки вона буде зафіксована в піднятому положенні 2.


- 2 Вставте потрібну насадку в гніздо. Потім натисніть 3 та поверніть 4 для блокування в приладу в цьому положенні.
- 3 Установіть чашу на підставку. Ручка чаші повинна знаходитися навпроти позначки розблокування 6. Легенько повертайте чашу за годинниковою стрілкою, доки ручка не опиниться навпроти позначки блокування 6. НЕ ДОКЛАДАЙТЕ зайвих зусиль та НЕ зтягайте дуже сильно 5.
- 4 Підніміть важіль розблокування головки 9, розташований на задній частині кухонної машини, одночасно піднімаючи головку міксера 1.
- 5 Увімкніть блок живлення, після чого загориться світловий індикатор готовності міксера до роботи.
- 6 Переведіть регулятор швидкості в потрібне положення, щоб почати роботу.
- 7 Поверніть інструмент за годинниковою стрілкою, щоб розблокувати, а потім зніміть.

## увага

- Міксер миттєво зупиняється, якщо підняти головку міксера під час роботи. Для повторного запуску міксера опустить головку, переведіть перемикач швидкості в положення «О», зачекайте кілька секунд, а потім знову виберіть потрібну швидкість. Міксер відразу відновить роботу.
- Під час кожного підйому головки міксера світловий індикатор готовності до роботи згасає. Коли головка опущена і індикатор горить, це означає, що міксер готовий до використання.

# міксер

## Корисні поради

- Функція змішування  призначена для змішування легких інгредієнтів в більш густі суміші, наприклад, меренги, муси, фруктові десерти, генуезькі бісквіти, суфле, а також для поступового введення борошна й фруктів у порошок для кексу. Міксер працюватиме з постійною низькою швидкістю.
- Для повного змішування вимикайте міксер та знімайте залишки інгредієнтів зі стінок чаші за допомогою лопатки.
- Для збивання краще використовувати яйця кімнатної температури.
- Перш ніж збивати яєчні білки, переконайтеся, що на віничку та всередині чаші не має залишків жиру та яєчного жовтка.
- Для приготування здобного тіста використовуйте холодні інгредієнти, якщо у рецептах не зазначено інакше.
- При збиванні жиру з цукром для приготування сумішей для тістечок, завжди використовуйте жир кімнатної температури або спочатку розм'якшіть його.
- Ваша кухонна машина обладнана функцією «м'якого пуску», що дозволяє практично уникнути розбризкування. Але, якщо ви увімкнете машину, коли у чаші знаходиться густа суміш, наприклад тісто для хліба, ви помітите, що для досягнення обраної швидкості міксеру знадобиться усього декілька секунд.

## електронний датчик та регулятор швидкості

Ваш міксер обладнано електронним регулятором з датчиком швидкості,

що контролює роботу міксера з обраною швидкістю при різних режимах навантаження, наприклад, при зміні навантаження під час вимішування тіста або під час додавання яєць до суміші для приготування тістечок та пирогів. Під час роботи приладу ви зможете помітити зміну швидкості, оскільки у міксері відбувається регулювання потужності згідно зі зміною навантаження та обраною швидкістю. Це нормальне явище.

## Важливі моменти для використання насадки для перемішування

- Не вмикайте машину на високій швидкості, адже в даному режимі необхідне повільне змішування зі збереженням цілісності інгредієнтів.
- Насадку не можна використовувати для змішування гарячих інгредієнтів – перед змішуванням їх необхідно охолодити.
- Для відмінної якості змішування не слід надмірно збивати яєчні білки або яєчну масу для крему, оскільки насадка для перемішування не зможе правильно змішувати занадто густу суміш.
- Не варто перемішувати суміш занадто довго, оскільки з чаші вийде повітря і суміш стане нещільною. Після того, як суміш досягне необхідної консистенції, зупиніть змішування.
- Будь-які залишки незмішаних інгредієнтів на поверхні мішалки або стінках чаші слід обережно занурити в суміш за допомогою лопатки.

# міксер

## Особливості приготування хлібу

- Ніколи не перевищуйте максимальну місткість: це перевантажує машину.
- Якщо прилад уповільнює роботу, вимкніть його, вийміть половину тіста та перемішайте кожну половину окремо.
- Інгредієнти перемішуються краще, якщо спочатку додати рідину.
- Час від часу вимикайте прилад та знімайте залишки з гакоподібної насадки для вимішування тіста.
- Різні сорти борошна можуть істотно розрізнятися за кількістю потрібної рідини і липкістю тіста, а також можуть помітно впливати на навантаження машини. Під час замішування тіста рекомендується тримати машину під постійним наглядом.

Таблиця рекомендованих швидкостей та максимального завантаження				
Зазначену нижче інформацію треба розглядати тільки, як пораду. Вибір швидкості залежить від кількості суміші та інгредієнтів, що перемішуються.				
інструмент/ насадка	тип рецепту	швидкість	максимальні час	максимальні показники завантаження
Віничок	Яєчні білки	Макс.	3 хвилини	2-12 (455 г)
	Вершки		2 – 3 хв.	1 літр
Насадка	Універсальні суміші для тортів	Макс.	2 хвилини	2 кг загальної вага 10 яєць
	Розтирання жиру з борошном  Додавання води для змішування інгредієнтів для виробів із борошна	Зменшить до швидкості 2 Мін.	2 – 3 хв.  30 сек.	680 г борошна
Насадка для збивання вершків	Фруктовий пиріг			2,72 кг загальна вага 9 яєць
	Вершковий жир і цукор	Макс.	1½ – 3½ хв.	
	Додайте яйця	Макс.	1 – 2 хв.	
	Додайте борошно, фрукти і т.д.	Зменшить до швидкості 1	30 сек. – 1 хв.	
Гачок для тіста	Хлібне тісто (сухі дріжджі)	Зменшить до швидкості 1	5 хвилин	1,35 кг борошна 2,17 кг загальна вага

\* Розмір яйця = середній (вага 53–63 г)

# міксер

Таблиця рекомендованої кількості – насадка для перемішування							
Тип рецепту	Інструмент	Інгредієнти	Мін. якість	Макс. якість	Рекомендована швидкість	Прибл. час (стадії перемішування, якщо не вказаний)	Корисні поради
Генуезький бісквіт/ збитий бісквіт	Вінчик	Яйця	3	9	Макс.	4-5 хв.	Яйця та цукор збивати до одержання густої, світлої та кремopodobної суміші.
	Насадка для перемішування	Борошно	85 г	250 г	Функція змішування	2-8 хв.	Борошно висипати на листок з жиронепроникного паперу та скласти його у формі лійки. За допомогою функції змішування поступово додавати борошно в суміш. Дана дія може зайняти до 8 хв., тому слід бути терплячим та зачекати поки в суміші повністю не розчиниться остання порція борошна, перш ніж додавати ще.
Загальна суміш		350 г	1 кг				
Суфле	Вінчик	Яйця	2	6	Макс.	1 хв.	На 3 швидкості збийте четверть збитих яєчних білків, а потім повільно змішайте з білками, що залишилися.
	Насадка для перемішування	Загальна суміш	300 г	900 г	Функція змішування	1 хв.	
Фруктові десерти	Вінчик	Вершки	125 мл	600 мл	Макс.	1-2 хв. макс.	
	Насадка для перемішування	Фруктове пюре	80 г	400 г	Функція змішування	1-2 мін.	
Шоколадний мус	Вінчик	Загальна суміш	600 г	1,5 кг	Макс.	2½ хв.	На 3 швидкості збийте четверть збитих яєчних білків, а потім повільно змішайте з білками, що залишилися
	Насадка для перемішування				Функція змішування		
Мигдалеве печиво	Вінчик	Загальна суміш	400 г	900 г	Макс.	1 хв.	
	Насадка для перемішування				Функція змішування		

\* Вищезазначена інформація носить лише рекомендаційний характер та може змінюватися в залежності від точного рецепту та використовуваних інгредієнтів.  
Розміри яєць, що використовуються в таблиці = середні (53 г – 63 г).

# Як встановлювати та користуватися захистом від бризок

- 1 Підніміть головку міксера до упору.
- 2 Установіть чашу на підставку.
- 3 Насувайте захист від бризок на нижню частину головки міксера ⑥, доки він не зафіксується. Шарнірну секцію слід розташувати, як показано на малюнку.
- 4 Установіть потрібну насадку.
- 5 Опустіть головку міксера.
  - Під час вимішування можна додавати інгредієнти до чаші крізь шарнірну секцію пристрою для захисту від бризок, що висить на петлях ⑦.
  - Якщо вам потрібно змінити насадку, пристрій для захисту від бризок знімати не треба.
- 6 Щоби зняти пристрій для захисту від бризок, підніміть головку міксера та зсуньте його убік.
- 2 Підніміть головку міксера та встановіть віничок чи збивалку.
- 3 Опустіть голівку міксера. Якщо необхідно відрегулювати просвіт, підійміть голівку міксера і зніміть насадку. В ідеальному випадку віночок, К-подібна збивалка і насадка для перемішування повинні **майже** торкатися дна чаші ⑧.  
**насадка для збивання вершків**
  - в ідеалі він має торкатися поверхні таким чином, щоб акуратно протирати її під час перемішування ⑬.
- 4 За допомогою гайкового ключа потрібного діаметру відкрутіть гайку так, щоби можна було виконати регулювання валу ⑨ або ⑭. Щоб опустити насадку нижче до дна чаші, поверніть вал проти годинникової стрілки. Щоби підняти насадку вище, поверніть вал за годинниковою стрілкою.

## Налаштування інструменту

### К-подібна збивалка, віночок, збивалка для крему і насадка для перемішування

Інструменти налаштовані на потрібну висоту для чаші, що додається в комплекті, та не потребують регулювання.

Для налаштування приладу використовуйте відповідний гайковий ключ 15 мм:

Потім виконайте наступні дії:

- 1 Відключіть прилад від мережі електропостачання.

- 5 Закрутіть гайку.
- 6 Установіть насадку та опустіть головку міксера. (Перевірте її положення (дивиться вище зазначені пункти).
- 7 Повторюйте вище названі процедури, доки насадку не буде встановлено правильно. Тільки-но правильне положення насадки знайдено, закрутіть та затягніть гайку.
  - **Примітка: гайковий ключ показаний лише для ілюстрації.**

### Гачок для тіста

Насадку було правильно налаштовано виробником і вона не потребує ніяких регулювань.

# Посібник із усунення несправностей

Проблема	Причина	Усунення
Вінчик чи К-насадка торкаються дна чаші або не достають до інгредієнтів, що лежать на дні чаші.	Інструмент встановлений на неправильній висоті і потребує регулювання.	Відрегулюйте висоту за допомогою відповідного гайкового ключа - див розділ «Налаштування інструменту».
Світловий індикатор готовності міксера до роботи блимає після першого підключення.	Контроль швидкості не знаходиться в положенні «О».	Перевірте і переведіть регулятор швидкості в положення «О».
Кухонна машина зупиняється під час роботи. Світловий індикатор готовності міксера до роботи швидко блимає.	Захист від перевантаження або перегріву активовано. Завантаження вище допустимої норми.	Вимкніть та перевірте наявність завантаження або перевантаження. Переведіть регулятор швидкості в положення «О» і знову включіть. Якщо машина не працюватиме, видаліть деякі з інгредієнтів, щоб знизити навантаження і перезапустіть. Якщо проблему не вдалось вирішити, відключіть машину від мережі та зачекайте 15 хвилин. Знову підключіть до мережі електропостачання та оберіть потрібну швидкість. Якщо машина не перезапускається після описаної вище процедури, зверніться до сервісної служби для отримання подальших рекомендацій.
Коли машина увімкнена, світловий індикатор готовності міксера до роботи повільно блимає.	Кухонна машина залишалась вимкненою протягом більше 30 хвилин, не виконуючи ніяких дій, та перейшла в режим очікування.	Переведіть регулятор швидкості у положення «min» (мінімальна швидкість), а потім у положення «О», щоб відновити початковий стан приладу.

# Обслуговування та чищення

## **догляд та чищення**

- Завжди вимикайте прилад та відключайте його від електромережі перед чищенням.

## **блок живлення і кришка отворів**

- Протріть спочатку вологою, а потім сухою ганчіркою.
- Ніколи не використовуйте абразивні матеріали та не опускайте прилад у воду.
- Сховайте зайву частину шнура у спеціальному відсіку для зберігання ⑩, який знаходиться позаду блоку електродвигуна.

чаша з нержавіючої сталі

- Помийте руками, потім ретельно просушіть або помийте у посудомийній машині.
- Ніколи не використовуйте дротяну щітку, металевий віхоть або відбілювальний засіб для чищення чаші із нержавіючої сталі. Для видалення нальоту використовуйте оцет.
- Не встановлюйте прилад поряд із джерелами тепла (конфорками плити, електродвигачами, мікрохвильовими печами).

## **інструменти і захист від бризок**

- Помийте руками, а потім ретельно просушіть.

## **насадка для збивання вершків**

- Завжди виймайте скребок з інструменту перед чищенням ⑮.
- Вимийте скребок і інструмент в гарячій мильній воді, а потім ретельно висушіть. Ці деталі також можна мити в посудомийній машині.

Примітка: перевіряйте стан інструмента до і після використання, а також регулярно перевіряйте стан скребка і замініть його, якщо помітили ознаки зносу.

## **Скляна чаша**

- Вимийте чашу у гарячій мильній воді, потім ретельно просушіть.
- Чашу також можна вимити у посудомийній машині.
- Примітка. Кільце на нижній поверхні чаші знімається. Його можна мити так само, як і чашу. Для того щоб зняти кільце, переверніть порожню чашу і відкрутіть кільце проти годинникової стрілки.

# Обслуговування та ремонт

- Якщо в роботі приладу виникли будь-які неполадки, перед зверненням до служби підтримки прочитайте розділ «Усунення несправностей» в цьому посібнику або зайдіть на сайт [www.kenwoodworld.com](http://www.kenwoodworld.com).
- Пам'ятайте, що на прилад поширюється гарантія, що відповідає всім законним положенням щодо існуючої гарантії та прав споживача в тій країні, де прилад був придбаний.
- При виникненні несправності в роботі приладу Kenwood або при виявленні будь-яких дефектів, будь ласка, надішліть або принесіть прилад в авторизований сервісний центр KENWOOD. Актуальні контактні дані сервісних центрів KENWOOD ви знайдете на сайті [www.kenwoodworld.com](http://www.kenwoodworld.com) або на сайті для вашої країни.
- Спроектовано та розроблено компанією Kenwood, Сполучене Королівство.
- Зроблено в Китаї.



## **ВАЖЛИВА ІНФОРМАЦІЯ СТОСОВНО НАЛЕЖНОЇ УТИЛІЗАЦІЇ ПРОДУКТУ ЗГІДНО ІЗ ДИРЕКТИВОЮ ПРО УТИЛІЗАЦІЮ ЕЛЕКТРИЧНОГО ТА ЕЛЕКТРОННОГО ОБЛАДНАННЯ (WEEE)**

Після закінчення терміну експлуатації не викидайте цей прилад з іншими побутовими відходами. Віднесіть прилад до місцевого спеціального авторизованого центру збирання відходів або до дилера, який може надати такі послуги. Відокремлена утилізація побутових приладів дозволяє уникнути можливих негативних наслідків для навколишнього середовища та здоров'я людини, які виникають у разі неправильної утилізації, а також надає можливість переробити матеріали, з яких було виготовлено даний прилад, що, в свою чергу, зберігає енергію та інші важливі ресурси. Про необхідність відокремленої утилізації побутових приладів нагадує спеціальна позначка на продукті у вигляді перекресленого смітника на колесах.



## الخدمة ورعاية العملاء

- في حالة مواجهة أية مشكلة متعلقة بتشغيل الجهاز، قبل الاتصال لطلب المساعدة، يرجى مراجعة قسم «دليل اكتشاف المشكلات وحلها» في الدليل أو زيارة موقع الويب [www.kenwoodworld.com](http://www.kenwoodworld.com).
- يرجى الملاحظة بأن جهازك مشمول بضمان، هذا الضمان يتوافق مع كافة الأحكام القانونية المعمول بها والمتعلقة بحقوق الضمان والمستهلك في البلد التي تم شراء المنتج منها.
- في حالة تعطل منتج Kenwood عن العمل أو في حالة وجود أي عيوب، فيرجى إرساله أو إحضاره إلى مركز خدمة معتمد من KENWOOD. للحصول على معلومات محدثة حول أقرب مركز خدمة معتمد من KENWOOD، يرجى زيارة موقع الويب [www.kenwoodworld.com](http://www.kenwoodworld.com)، أو موقع الويب المخصص لبلدك.
- تصميم وتطوير KENWOOD في المملكة المتحدة.
- صنع في الصين.



**معلومات هامة هو الكيفية الصحيحة للتخلص من المنتج وفقاً لتوجيهات الاتحاد الأوروبي المتعلقة بنفايات المعدات الكهربائية والإلكترونية (WEEE)**

في نهاية العمر التشغيلي للجهاز، يجب عدم التخلص من الجهاز في نفايات المناطق الحضرية. بل يجب أخذه إلى مركز تجميع خاص بجهة محلية متخصصة في التخلص من هذه النفايات أو إلى تاجر يقدم هذه الخدمة.

التخلص من الأجهزة المنزلية على نحو منفصل، يجنب الآثار السلبية المحتملة على البيئة والصحة والتي تنتج عن التخلص من هذه النفايات بطريقة غير مناسبة، كما أن هذه العملية تسمح باسترداد المواد المكونة الأمر الذي يتيح الحصول على وفورات كبيرة في مجال الطاقة والموارد. للتذكير بضرورة التخلص من الأجهزة المنزلية على نحو منفصل، يوجد على الجهاز صورة مشطوبة لسلة قمامة ذات عجلات.

## التنظيف والخدمة

### العناية والتنظيف

- دائماً أوقفني التشغيل وافصلي الجهاز عن مصدر التيار الكهربائي قبل التنظيف.

### وحدة الطاقة وغطاء المخرج

- مسح بقطعة فماش رطبة ثم التجفيف.
- يحذر استخدام المواد الكاشطة أو الغمر في الماء.
- ادفعي ما يزيد عن حاجتك من السلك الكهربائي إلى داخل مكان تخزين السلك ⑩ الموجود في الجهاز من الخلف.

### سلطانية من الصلب عديم الصدأ

- غسيل يدوي ثم التجفيف جيداً أو غسيل في غسالة الأطباق.
- يحذر استخدام فرشاة من السلك أو الصوف المعدني أو مواد التبييض عند تنظيف الوعاء المصنوع من الصلب عديم الصدأ.
- استخدمني الخل لإزالة الطبقة الجيرية.
- ابعدني عن مصادر الحرارة (سطح الموقد، الأفران، المايكروويف).

### الأدوات ومانع الرذاذ

- غسيل يدوي ثم التجفيف جيداً أو غسيل في غسالة الأطباق.

### مضرب الخلطات الكريمة

- أزيلني دائماً الخفاقة المرنة عن الملحق (الأداة) قبل التنظيف ⑮.
- اغسلي الخفاقة المرنة والملحق (الأداة) في محلول ماء وصابون ساخن ثم جففيهما جيداً. أو بطريقة أخرى، يمكن غسل هذه الأجزاء في غسالة الأطباق.
- ملاحظة: يرجى فحص حالة جسم الأداة قبل وبعد الاستخدام وأيضاً فحص حالة شفرة المضرب بانتظام واستبدالها في حالة ظهور أي من علامات التآكل.

### السلطانية الزجاجية

- اغسلي السلطانية في محلول ساخن من الماء والصابون ثم جففيها جيداً.
- أو بطريقة أخرى، يمكنك غسل السلطانية داخل غسالة الأطباق.
- ملاحظة: الطوق الموجود في قاعدة السلطانية قابل للفك والتكيب وبالتالي يمكنك غسله بنفس الكيفية. لإزالة الطوق، اقلبي السلطانية وهي فارغة وفكي الطوق في اتجاه عكس عقارب الساعة.

## دليل استكشاف المشكلات وحلها

المشكلة	السبب المحتمل	الحل
خفاقة البيض أو مضرب العجين يقرع قاع السلطانية أو لا يصل إلى المكونات الموجودة في قاع السلطانية.	ارتفاع الأداة غير صحيح وتحتاج لضبط ارتفاعها.	اضبطي طول الأداة باستخدام مفتاح ربط لتعديل الارتفاع - راجعي قسم "ضبط الأداة".
يومض "ضوء مؤشر استعداد الخلاط" عند توصيل جهاز المطبخ المتكامل بمصدر التيار الكهربائي للمرة الأولى.	مفتاح التحكم في السرعات غير موجه على موضع إيقاف التشغيل "O".	تأكد من مفتاح التحكم في السرعات وتوجيهه على موضع إيقاف التشغيل "O".
يتوقف جهاز المطبخ المتكامل خلال التشغيل. يومض "ضوء مؤشر استعداد الخلاط" بشكل سريع.	تم تنشيط وظيفة الحماية ضد التحميل الزائد أو الارتفاع المفرط لدرجة حرارة الجهاز تم تجاوز السعة القصوى المحددة. افصلي الجهاز عن مصدر التيار الكهربائي وتأكد من عدم وجود أي انحشار أو عالق أو تحميل زائد.	لفي مفتاح التحكم في السرعات إلى وضع إيقاف التشغيل "O" ثم أعيدي تشغيل الجهاز مرة أخرى. في حالة عدم عمل الجهاز، ففي هذه الحالة أزيل كمية من المكونات لتقليل الحمل وأعيدي تشغيل الجهاز. إذا لم يساعد ذلك في حل المشكلة، افصلي الجهاز عن مصدر التيار الكهربائي واتركه ١٥ دقيقة ليبرد. وصلي الجهاز بمصدر التيار الكهربائي وأعيدي تحديد السرعة المطلوبة. في حالة عدم عمل الجهاز بعد الإجراءات السابقة، ففي هذه الحالة اتصل بمركز خدمة العملاء لطلب المساعدة.
يومض "ضوء مؤشر استعداد الخلاط" بشكل بطيء عند توصيل الجهاز بمصدر التيار الكهربائي.	تم توصيل جهاز المطبخ المتكامل بمصدر التيار الكهربائي لمدة أطول من ٣٠ دقيقة دون استخدامه وبذلك دخل الجهاز في وضع الاستعداد.	أديري مفتاح تحكم السرعة إلى موضع السرعة المنخفضة «min» ثم أعيديه إلى موضع إيقاف التشغيل «O» لإعادة تعيين الجهاز.

## تركيب واستخدام مانع الرذاذ

- ١ ارفعي رأس الخلاط حتى تستقر في موضع الرفع.
- ٢ ركبي السلطانية على القاعدة.
- ٣ ادفعي مانع الرذاذ إلى الجانب السفلي من رأس الخلاط  
⑥ حتى يتم تركيبه. يجب أن يكون موضع الجزء المفصلي كما هو مبين.
- ٤ ركبي الأداة المطلوبة.
- ٥ اخفضي رأس الخلاط.
- أثناء الخلط، يمكن إضافة المكونات مباشرة إلى السلطانية عن طريق الجزء المفصلي من مانع الرذاذ ⑦.
- لن تحتاجي لإزالة مانع الرذاذ عند تغيير الأدوات.
- ٦ أزيلِي مانع الرذاذ عن طريق رفع رأس الخلاط ودفعه للانزلاق لأسفل.

## ضبط الأداة

### مضرب العجين، الخفاقة، مضرب الخلطات الكريمة وأداة الطي

- يتم ضبط ارتفاع الأدوات على الارتفاع الصحيح لها داخل السلطانية في المصنع لدى تزويد الجهاز بحيث لا تتطلب أي ضبط إضافي. وعلى الرغم من ذلك، إذا لزم ضبط الأداة، ففي هذه الحالة استخدمِي مفتاح ربط مقاس ١٥ مم: ثم اتبعي التعليمات التالية:
- ١ افصلي الجهاز عن مصدر التيار الكهربائي.
  - ٢ ارفعي رأس الخلاط وركبي خفاقة البيض أو المضرب.
  - ٣ اخفضي رأس الخلاط. إذا كانت المسافة تحتاج إلى الضبط، ارفعي رأس الخلاط وأزيلِي الأداة. من المثالي أن تمس الخفاقة، مضرب العجين وأداة الطي بالكاد قاع السلطانية ③.

### مضرب الخلطات الكريمة

- في وضع التركيب المثالي، يجب أن يلامس سطح السلطانية كما لو كان يمسح السلطانية برفق أثناء عملية الخلط ⑩.
- ٤ باستخدام مفتاح الربط المزود فكي الصامولة بشكل كافٍ للسماح بتعديل محور الدوران ⑨ أو ⑭. لخفض الأداة في اتجاه قاع السلطانية. لفي محور دوران في اتجاه عكس عقارب الساعة. لرفع الأداة بعيداً عن قاع السلطانية. لفي محور الدوران في اتجاه عقارب الساعة.
- ٥ أعيدي إحكام ربط الصامولة.
- ٦ ركبي الأداة في الخلاط واخفضي رأس الخلاط. (تأكدِي من موضع الأداة بالنسبة لقاع السلطانية. راجعي النقاط السابقة).
- ٧ كرري الخطوات السابقة حسب الحاجة حتى يتم ضبط الأداة بشكل صحيح. بمجرد الوصول إلى المسافة الصحيحة أحكمي ربط الصامولة.
- **ملاحظة: مفتاح الربط المبين في الشكل التوضيحي لأغراض الإيضاح فقط.**

### خطاف العجين

تم ضبط هذه الأداة في المصنع ولا تحتاج لأي ضبط.

جدول الكميات الموصى بها - أداة الطي

نوع وصفة التحضير	الأداة	المكونات	أقل كمية	أقصى كمية	السرعة الموصى بها	الوقت التقريبي (لمرحلة الطي خلاف ذلك)	تلميحات ونصائح
الكعكات الأسفنجية/ الكعكات الأسفنجية المخفوقة	مضرب البيض	بيض	٢	٩	السرعة العالية	٤ إلى ٥ دقائق	اخفقي البيض مع السكر حتى يصبح اللون شاحباً والقوام ثخيناً وكريمي.
	أداة الطي	الدقيق إجمالي الخليط	٨٥ غرام ٣٥٠ غرام	٢٥٠ غرام ١ كيلوغرام	وظيفة الطي	٢ إلى ٨ دقائق	عند إضافة الدقيق، ضعيه على ورق مقاوم للشحوم ثم اطوي جانبي الورق لعمل صنوبر تدفق. أضيفي الدقيق بشكل تدريجي إلى الخليط مع استخدام وظيفة الطي. تستغرق هذه العملية ما يصل إلى ٨ دقائق، لذلك تحلي بالصبر وانتظري حتى اندماج كل كمية مضافة من الدقيق إلى الخليط بشكل جيد قبل إضافة كمية أخرى.
السوفليه	مضرب البيض	بيض	٢	٦	السرعة العالية	١ دقيقة	اخفقي ربع كمية بياض البيض المخفوق على السرعة ٣ قبل طي كمية البيض المتبقية.
	أداة الطي	إجمالي الخليط	٢٠٠ غرام	٩٠٠ غرام	وظيفة الطي	١ دقيقة	
مهروس الفواكه مع الكريمة	مضرب البيض	القشدة	١٢٥ مل	٦٠٠ مل	السرعة العالية	١ إلى ٢ دقيقة	
	أداة الطي	مهروس الفواكه	٨٠ غرام	٤٠٠ غرام	وظيفة الطي	١ إلى ٢ دقيقة	
موس الشكولاتة	مضرب البيض	إجمالي الخليط	٦٠٠ غرام	١,٥ كيلوغرام	السرعة العالية	٢,٥ دقيقة	أضيفي الشكولاتة المذابة إلى الخليط واخلطي كل المكونات مع بعضها في نفس الوقت. اخلطي بياض البيض قليلاً في وقت واحد.
	أداة الطي				وظيفة الطي		
المكارون	مضرب البيض	إجمالي الخليط	٤٠٠ غرام	٩٠٠ غرام	السرعة العالية	١ دقيقة	
	أداة الطي				وظيفة الطي		

\* الأزمنة المعروضة أعلاه هي أزمنة إرشادية فقط وتختلف حسب الوصفة والمكونات المستخدمة. حجم البيض المشار إليه في الجدول = حجم متوسط (٥٣ إلى ٦٣ غرام).

## الخلاط

جدول السرعات الموصى بها والسعات القصوى				
السرعات الموضحة مرجعية فقط وتختلف حسب كمية الخليط الموجود في السلطانية وحسب المكونات المراد خلطها.				
الأداة/الملحق	نوع وصفة التحضير	السرعة	أقصى وقت	السعات القصوى
خفاقة البيض	بياض البيض	السرعة القصوى	٣ دقائق	٢ إلى ١٢ (٤٥٥ غرام)
	القشدة		٢ إلى ٣ دقائق	١ لتر
مضرب العجين	خلطات الكعكات الجاهزة	السرعة القصوى	٢ دقيقة	الوزن الإجمالي ٢ كيلوغرام خليط ١٠ بيضات
	هرس السمن مع الدقيق إضافة الماء لدمج مكونات المعجنات	السرعة المنخفضة إلى السرعة ٢  السرعة المنخفضة	٢ إلى ٣ دقائق  ٣٠ ثانية	٦٨٠ غرام دقيق
مضرب الخلطات الكريمة	كعكة الفواكه			
	مزج السمن مع السكر	السرعة القصوى	١,٥ إلى ٣,٥ دقيقة	إجمالي وزن ٢,٧٢ كغم ٦ بيضات
	إضافة البيض	السرعة القصوى	١ إلى ٢ دقيقة	
	طيّ الدقيق والفاكهة.. الخ	السرعة المنخفضة إلى السرعة ١	٣٠ ثانية إلى ١ دقيقة	
خطاف العجين	عجين الخبز (عجينة الخميرة السميكة)	السرعة المنخفضة إلى السرعة ١	٥ دقائق	وزن الدقيق ١,٣٥ كغم إجمالي الوزن ٢,١٧ كغم

\* حجم البيض المستخدم = الحجم المتوسط (بوزن بين ٥٣ إلى ٦٣ غرام)

## تلميحات

- يمكن استخدام وظيفية الطي (P) لطبي المكونات الخفيفة داخل خلطات ثخينة، مثل المرغ والموس ومهروس الفواكه مع الكريمة والكعكات الأسفنجية والسوفليه ولطي الدقيق ببطء في خلطات الكعكات. سيعمل الخلاط على سرعة منخفضة ثابتة.
  - لدمج المكونات بالكامل، أوقف عملية الخلط واكشطتي جوانب السلطانية باستخدام ملعقة التقلب.
  - للحصول على أفضل النتائج اخفقي البيض الموجود في درجة حرارة الغرفة.
  - قبل خفق بياض البيض، تأكدي من عدم وجود زيت أو صفار بيض على مضرب البيض أو الوعاء.
  - استخدمي مكونات باردة للمعجنات ما لم يذكر خلاف ذلك في وصفة التحضير.
  - استخدمي السمن في درجة حارة الغرفة عند خلطه مع السكر لتحضير خلطات الكيك أو قومي بتخفيفه أولاً.
  - جهاز المطبخ المتكامل مجهز بخاصية البدء الهادئ لتقليل تناثر المكونات، بنفس الكيفية في حالة تشغيل الجهاز لخلط خلطات ذات قوام كثيف في السلطانية ومثال على ذلك عجين الخبز، فقد تلاحظين استغراق الخلاط لبقعة ثوان حتى الوصول إلى السرعة المطلوبة.
- ### مستشعر التحكم في السرعة الإلكتروني
- الخلاط مجهز بمستشعر إلكتروني للتحكم في السرعة حيث تم تصميمه للحفاظ على سرعة الخلاط تحت مختلف ظروف التشغيل مثل عجن عجينة الخبز أو عند إضافة البيض لخلطات الكيك. لذلك قد تلاحظين بعض التغييرات في السرعة أثناء التشغيل حيث يقوم المستشعر بضبط سرعة الخلاط المحددة مع الحمل - وهذا أمر طبيعي.

## نقاط هامة حول استخدام أداة الطي

- لا تستخدم السرعة العالية حيث يتطلب استخدام سرعة بطيئة لتحسين عملية الطي.
- الأداة غير مصممة للاستخدام في خلط المكونات الساخنة، اتركي المكونات لتبرد قبل استخدام الأداة.
- للحصول على أفضل النتائج، لا تزيدي في خفق بياض البيض أو القشدة - لن تستطيع أداة الطي الخلط بشكل جيد إذا أصبح الخليط صلباً.
- لا تقومي بطي الخلطة لفترة طويلة حيث سيتسرب الهواء إلى الخارج ويصبح الخليط سائلاً. توقفي بمجرد اندماج مكونات الخلطة بشكل مناسب.
- أي مكونات عالقة على المضرب أو جوانب السلطانية يجب كشطها بحذر باستخدام الملعقة البلاستيكية وخطها مع الخليط.

## الدليل

- ① رأس الخلاط
- ② منفذ الملحق
- ③ غطاء المنفذ
- ④ تجويف الأداة
- ⑤ السلطانية

- a سلطانية من الصلب عديم الصدأ (في حالة تزويدها داخل صندوق البيع)
- b سلطانية زجاجية (في حالة تزويدها داخل صندوق البيع)

- ⑥ مفتاح تحكم السرعة تشغيل/إيقاف
- ⑦ ضوء مؤشر استعداد الخلاط
- ⑧ جسم الخلاط

⑨ زراع تحرير رأس الخلاط

⑩ مكان تخزين السلك

⑪ مضرب العجين

⑫ خفاقة البيض

⑬ خنطاف العجين اللولبي

⑭ مضرب الخلطات الكريمة (في حالة التزويد داخل صندوق البيع)

⑮ أداة الطي (في حالة تزويدها داخل صندوق البيع)

⑯ ملعقة التقليل

⑰ مانع الرذاذ

## أدوات الخلط وبعض من استخداماتها

### مضرب العجين

- لعمل الكيك والبسكويت والمعجنات والغطاء السكري للحلوى والحشوات وجاتوه الإكلير والبطاطس المهروسة.

### خفاقة البيض

- لخفق البيض والزبد والقشدة والعجائن السائلة والكيك الإسفنجي خالي الدسم وأغطية الحلوى (المرنغ) وكيك الجبن والموس والسوفليه. لا تستخدم مضرب البيض للخلطات الكثيفة (مثل مزج السمن مع السكر حتى يصبح القوام كثيفاً) - فقد يتسبب ذلك في تلف مضرب البيض.

### خنطاف العجين

- لخلطات الخميرة.

### أداة الطي

- أداة الطي مصممة لطي المكونات الخفيفة داخل الخلطات الخفيفة مثل المرنغ والموس ومهروس الفواكه مع الكريمة والكعكات الأسفنجية والسوفليه ولطي الدقيق في خلطات الكعكات. لا يجوز استخدامها مع وصفات التحضير الخفيفة مثل العجين ومزج السمن مع السكر أو خلطات الكعكات الجاهزة (الكل في واحد).

## مضرب الخلطات الكريمة

- مضرب الخلطات الكريمة مصمم لمزج وخلط المكونات اللينة. لا تستخدم المضرب مع الخلطات الخفيفة (الكثيفة) مثل العجين أو المكونات الصلبة، على سبيل المثال، الفواكه التي تحتوي على بذور أو مكونات بها عظم أو قشرة خارجية.

### تركيب الخفاقة المرنة

- تزود الخفاقة المرنة مركبة بالفعل ويجب فكها دائماً للتنظيف. ⑮

- ١ ركب الخفاقة المرنة بحذر في الملحق (الأداة) عن طريق إدخال قاعدة الخفاقة المرنة في الشق ⑩ ثم إدخال أحد جانبي الخفاقة في التجويف قبل تعشيق طرف الخفاقة ⑪ برفق في موضعه. كرر نفس الخطوات مع الجانب الآخر ⑫.

## استخدام الخلاط

- ١ ارفع زراع تحرير الرأس ⑨ الموجود على الجانب الخلفي لجهاز المطبخ المتكامل ① وفي نفس الوقت ارفع الرأس ① حتى تستقر في موضع الرفع ②.

- ٢ أدخل الأداة المطلوب استخدامها في المقبس. ثم ادفعها لأعلى ③ ولفها ④ لفلها في موضع التعشيق.

- ٣ ركب السلطانية على القاعدة. ضعي المقبض مباشرة فوق رمز الفك ④، ثم لفي السلطانية بلطف في اتجاه عقارب الساعة حتى يصح المقبض فوق رمز القفل ⑤ مباشرة. لا تستخدم قوة مفرطة ولا تفرطي في الربط ⑤.

- ٤ ارفع زراع تحرير الرأس ⑨ الموجود على الجانب الخلفي لجهاز المطبخ المتكامل وفي نفس الوقت اخفضي رأس الخلاط ①.

- ٥ وصلي الجهاز بمصدر التيار الكهربائي عندئذ يضيء «ضوء مؤشر استعداد الخلاط».

- ٦ ابدئي التشغيل عن طريق إدارة مفتاح تحكم السرعة إلى موضع الإعداد المطلوب.

- ٨ أزيل الأداة عن طريق لفها في اتجاه عقارب الساعة لتحريرها عن مقبس إلحاق الأداة ثم أزيلها.

### هام

- في حالة رفع رأس الخلاط أثناء التشغيل، يتوقف الجهاز فوراً. لإعادة تشغيل الخلاط، اخفضي رأس الخلاط، أديري مفتاح تحكم السرعة إلى موضع إيقاف التشغيل «O»، انتظري بضعة ثوان ثم أعيدي تحديد السرعة المطلوبة. يتم معاودة تشغيل الخلاط مرة أخرى.
- في حالة رفع رأس الخلاط في أي وقت ينطفئ «ضوء مؤشر استعداد الخلاط». عند خفض رأس الخلاط يضيء المؤشر مرة أخرى إشارة على استعداد الخلاط للاستخدام.



- قد يؤدي سوء استخدام الجهاز إلى حدوث إصابات.
  - يمكن استخدام الأجهزة من قبل أشخاص ذوي قدرات جسدية أو حسية أو عقلية منخفضة وممن هم دون خبرة أو معرفة باستخدام الأجهزة في حالة منحهم التعليمات الخاصة بالاستخدام أو الإشراف عليهم بحيث يمكنهم استخدامه بطريقة آمنة مع إدراك المخاطر التي تنطوي على استخدام الجهاز.
  - استخدم الجهاز في الاستخدام المنزلي فقط. لا تتحمل Kenwood أية مسؤولية في حالة تعرض الجهاز للاستخدام غير الصحيح أو عدم الالتزام بهذه التعليمات.
- ### السلطانية الزجاجية
- قبل الاستخدام، تأكد من ضبط ارتفاع أدوات السلطانية على نحو صحيح، بحيث لا تلامس قاع السلطانية - راجعي قسم "ضبط الأداة".
  - لتجنب حدوث تلفيات في السلطانية، لا تسمحي بتلامس السلطانية مع مصدر شديد الحرارة مثل الفرن أو سطح الموقد العلوي.
  - السلطانية الزجاجية صالحة للاستخدام داخل أفران الميكروويف.

### تعليمات خاصة للعناية

الزجاج مادة طبيعية، أثناء تصنيع هذه السلطانية تم اتخاذ كل العناية لضمان المظهر المثالي، ولكن بعض العيوب الصغيرة قد تكون مرئية، وهذا أمر طبيعي ومتوقع ولن يؤثر على أداء السلطانية.

### قبل استخدام الجهاز للمرة الأولى

- اغسلي الأجزاء المسموح بغسلها، راجعي قسم "العناية والتنظيف".

### قبل توصيل الجهاز بمصدر التيار الكهربائي

- تأكدي من تماثل مواصفات مصدر التيار الكهربائي لديك مع المواصفات الموضحة على الجانب السفلي للجهاز.
- تحذير: يجب توصيل هذا الجهاز بالأرضي.
- يتوافق هذا الجهاز مع تنظيمات الاتحاد الأوروبي 2004/1935 المتعلقة بالمواد والأجسام المتلامسة مع الأطعمة.

## استعراض جهاز المطبخ المتكامل من Kenwood

## لسلامتك

- اقرأ التعليمات التالية واحتفظي بها في المتناول للاستخدامات المستقبلية المرجعية.
- أزيلتي مكونات التغليف وأية ملصقات.
- لأسباب متعلقة بالسلامة ولتجنب حدوث أية مخاطر، في حالة تلف السلك الكهربائي أو القابس، يجب استبداله بواسطة Kenwood أو مركز خدمة معتمد من قبل Kenwood.
- أوقفي التشغيل وافصلي الجهاز عن مصدر التيار الكهربائي قبل تركيب أو إزالة الأدوات/ الملحقات بعد الاستخدام وقبل التنظيف.
- أبعدي أصابعك عن الأجزاء المتحركة والملحقات التي تم تركيبها.
- لا تتركّي الجهاز مهملاً.
- لا تستخدمّي الجهاز في حالة تلفه. في مثل هذه الحالة، يجب فحص الجهاز أو إصلاحه: راجعي قسم "الصيانة والعناية بالعملاء".
- يحذر ترك السلك الكهربائي متديلاً في حالة وجود طفل فقد ينتزعه.
- يحذر تعرض وحدة الطاقة، السلك الكهربائي أو قابس التوصيل للماء.
- يحذر استخدام ملحق غير معتمد أو كلا المنفذين في نفس الوقت
- يحذر تجاوز السعات القصوى.
- عند استخدام ملحق ما، يجب قراءة تعليمات الأمان الواردة معه.
- توخي الحذر عند إزالة أدوات السلطانية بعد فترة استخدام مطولة حيث تكون درجة حرارتها مرتفعة.
- توخي الحذر عند حمل هذا الجهاز فهو ثقيل. تأكدي من تثبيت رأس الخلاط والوعاء والأدوات والمنفذ والسلك الكهربائي قبل حمل الجهاز.
- عند تحريك الجهاز، امسكيه دائماً من القاعدة ورأس الخلاط. لا ترفعي الجهاز أو تحمليه عن طريق مقبض السلطانية
- لا تحاولي تحريك أو رفع رأس الخلاط أثناء تركيب أي من الملحقات حيث يصبح جهاز المطبخ المتكامل غير مستقر.
- لا تشغلي الجهاز بالقرب من حافة منصّة العمل (المنضدة).
- لا يجوز استخدام هذا الجهاز من قبل الأطفال. احتفظي بالجهاز والسلك الكهربائي بعيداً عن متناول الأطفال.
- يجب ملاحظة الأطفال للتأكد من عدم عبثهم بالجهاز.



**Kenwood Ltd**

New Lane  
Havant  
Hampshire  
PO9 2NH

[kenwoodworld.com](http://kenwoodworld.com)

© Copyright 2020 Kenwood Limited. All rights reserved



132239/3